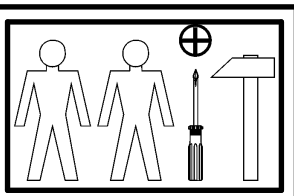
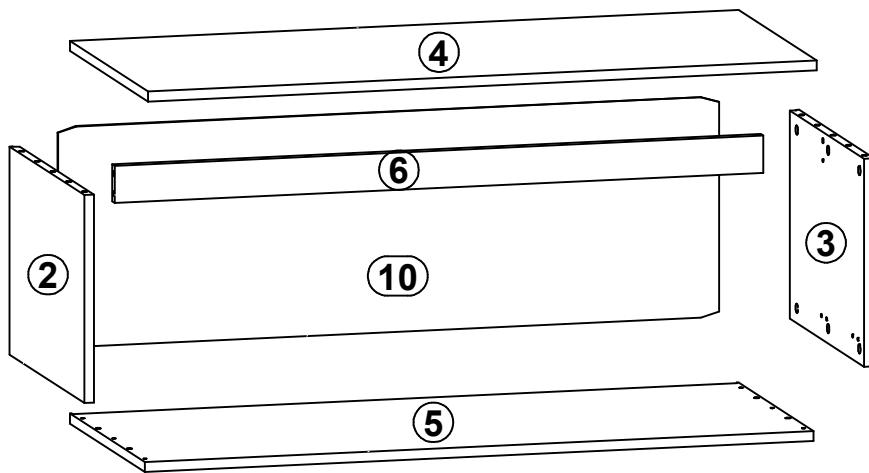
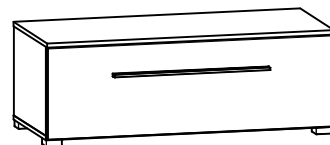
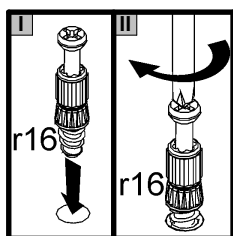
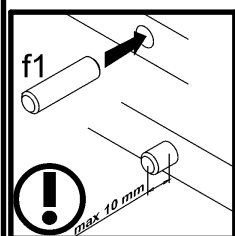
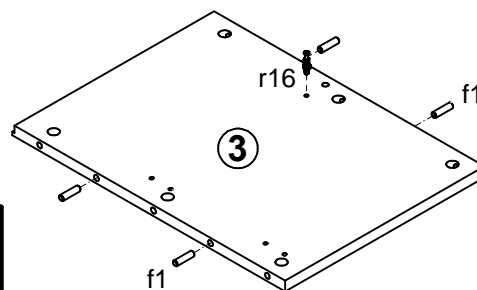
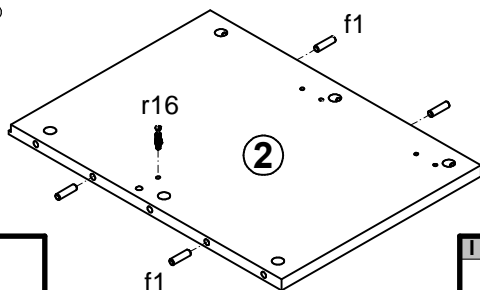


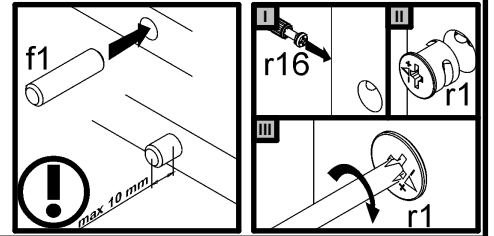
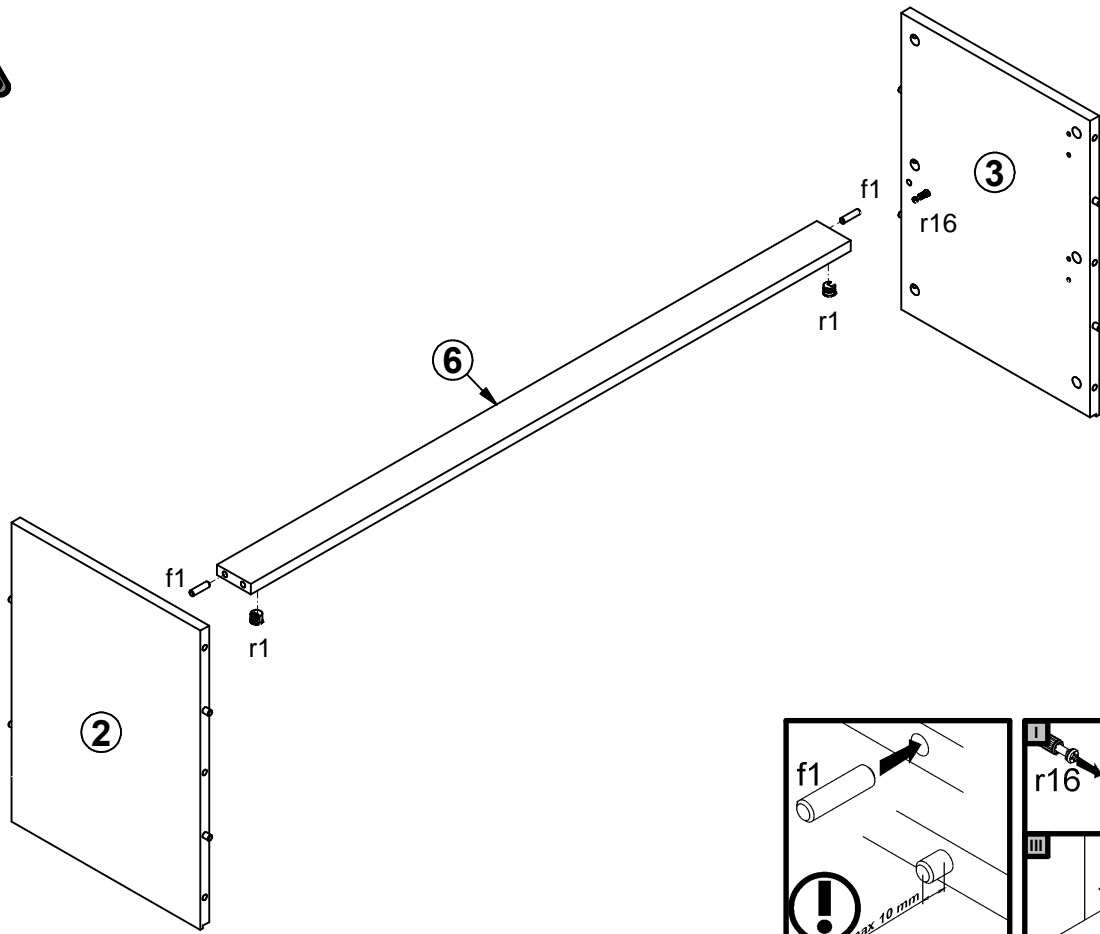
A	B	C	D	
1	S92-002	1096	346	1/1
2	S92-101	336	460	1/1
3	S92-102	336	460	1/1
4	S92-201	1100	480	1/1
5	S92-202	1100	460	1/1
6	S92-401	1067	60	1/1
7	S92-501	400	160	1/1
8	S92-502	400	160	1/1
9	S92-503	1027	146	1/1
10	S92-902	1087	356	1/1
11	S92-904	1037	406	1/1



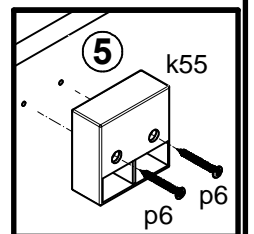
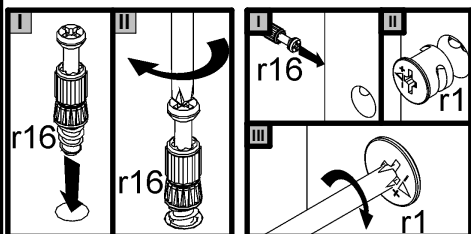
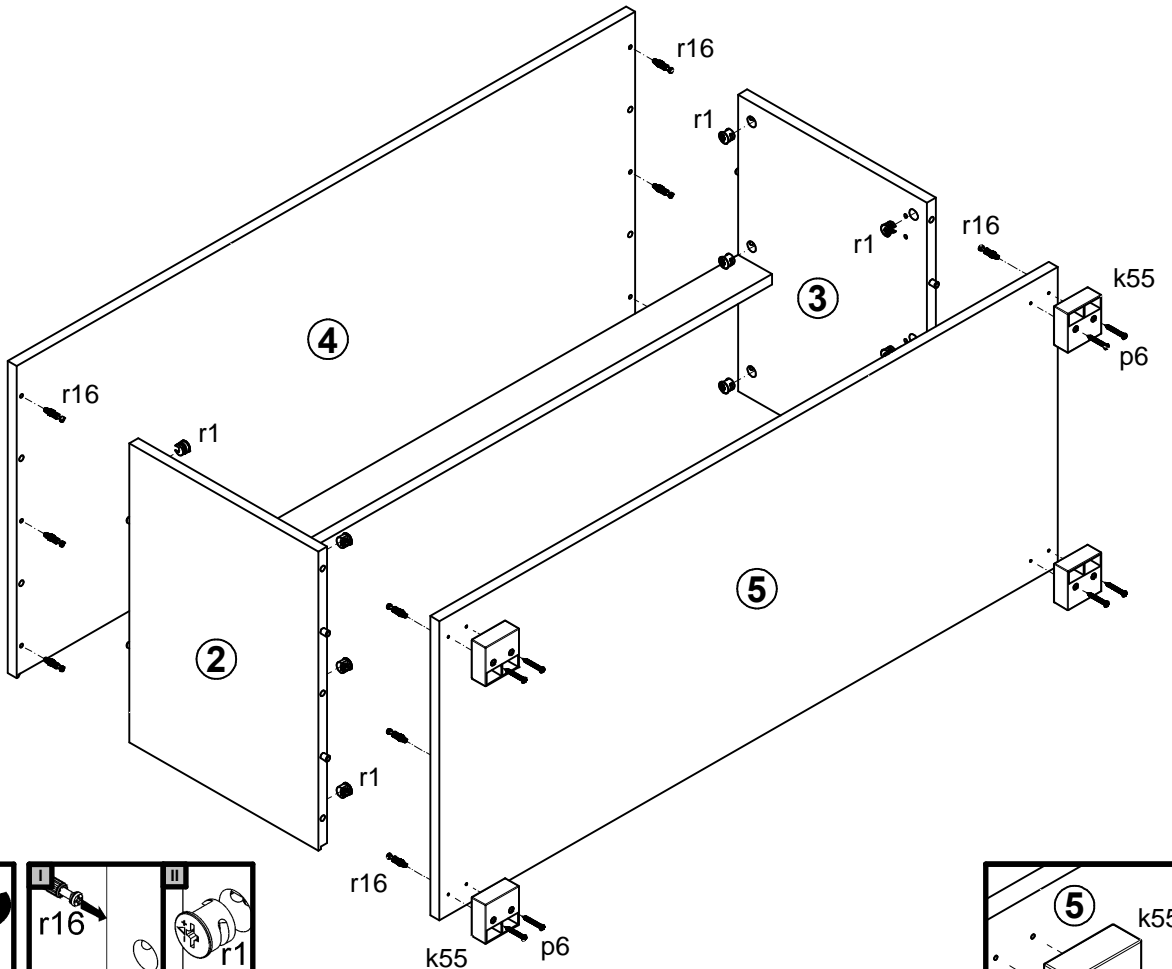
1x L=596mm <b>c25311</b>	8x φ6x13 mm <b>e3</b>	10x φ8x30 mm <b>f1</b>	4x φ6.5x40 mm <b>f25</b>	4x <b>k55</b>	30x <b>l1</b>	1x φ3,5x16 mm <b>p25</b>	1x φ3,5x10 mm <b>p35</b>	6x φ3,5x16 mm <b>p38</b>
8x φ4x35 mm <b>p6</b>	3x φ4x30 mm <b>p9</b>	14x φ1,5x12mm #16 <b>r1</b>	4x φ12x10,5mm #12 <b>r15</b>	18x <b>r16</b>	2x ø16 <b>s2</b>	1x 400 mm <b>t33</b>	1x Quadro L=400 mm <b>w58/L</b>	1x Quadro L=400 mm <b>w58/P</b>
							1x <b>n26/1</b>	1x φ3,5x16 mm <b>p38</b>



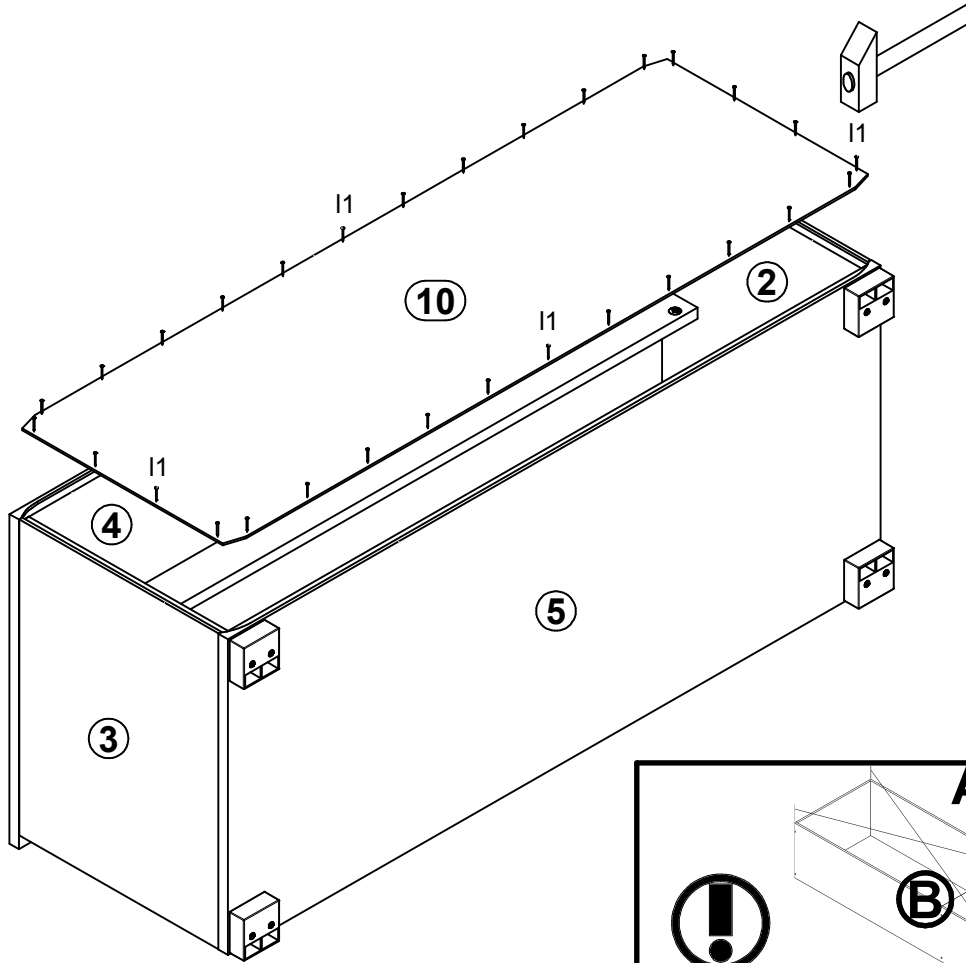
2 



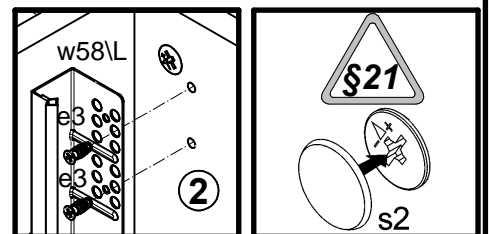
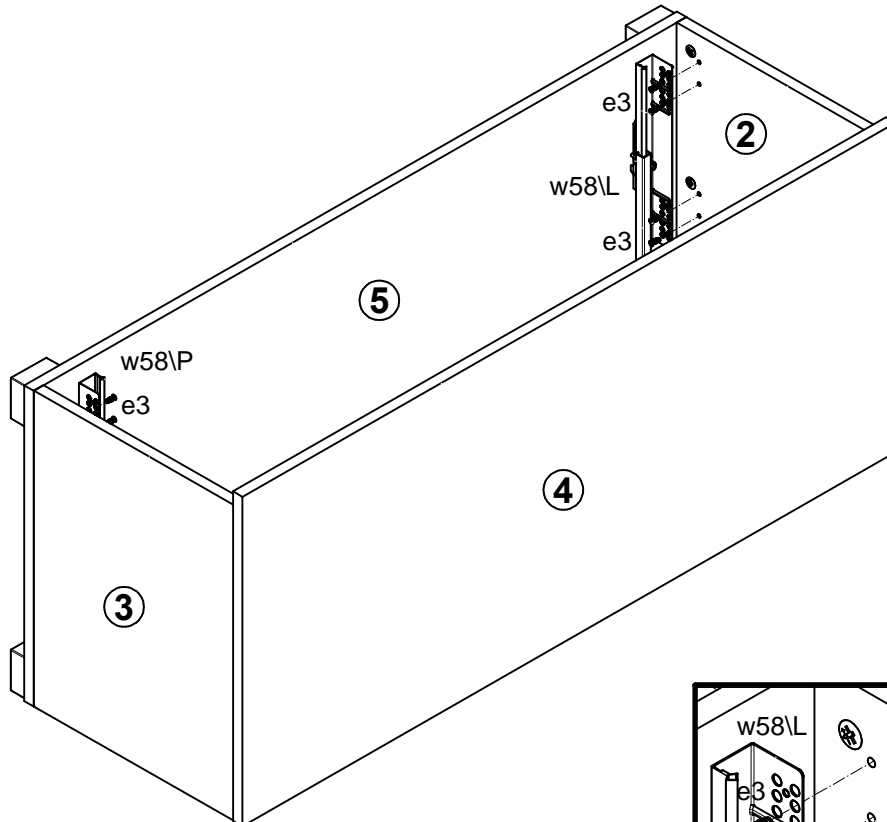
3



# 4



# 5



# 6

