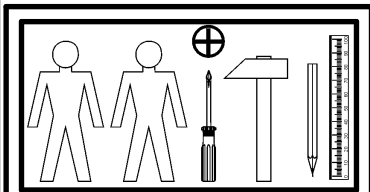
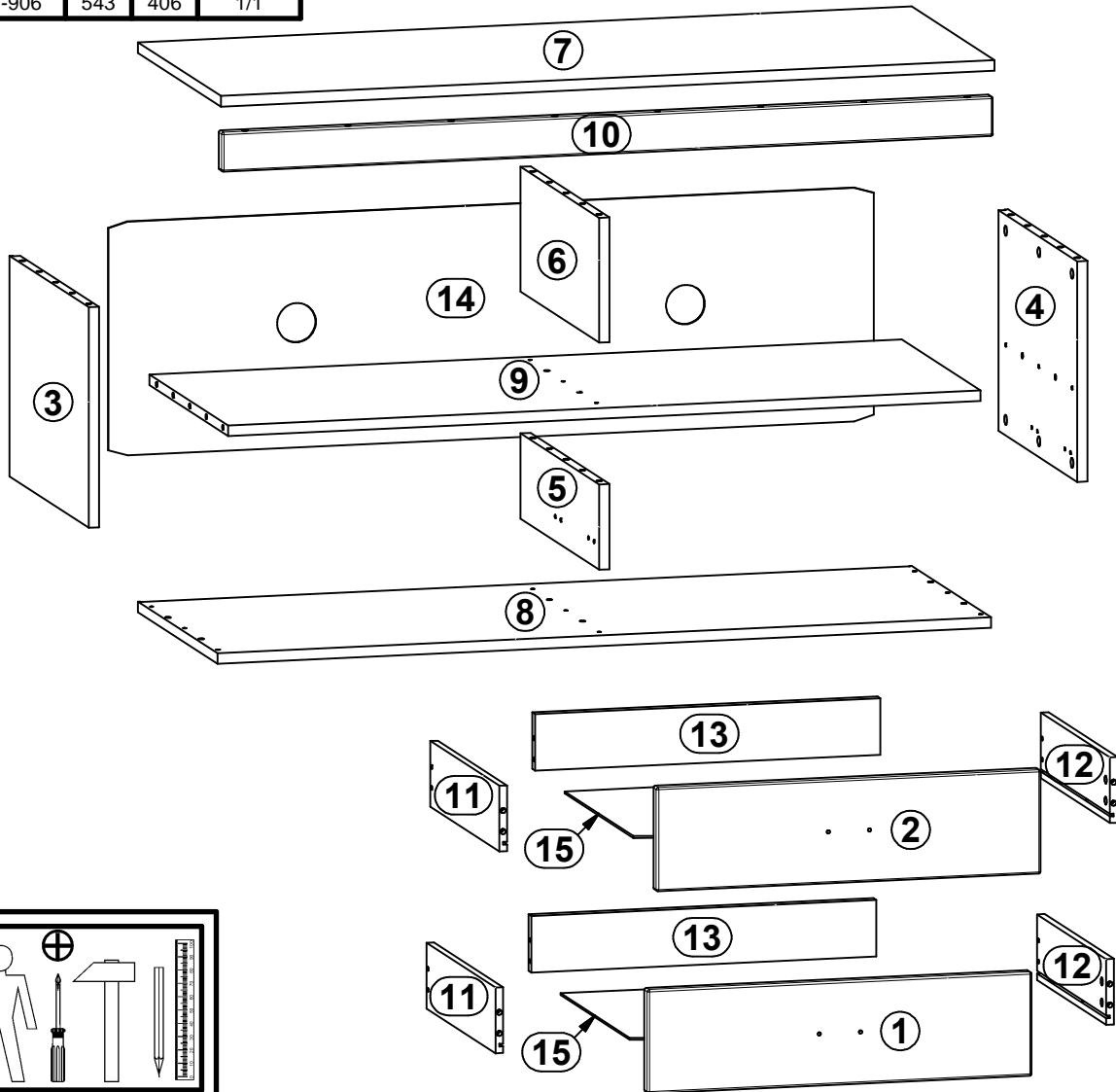
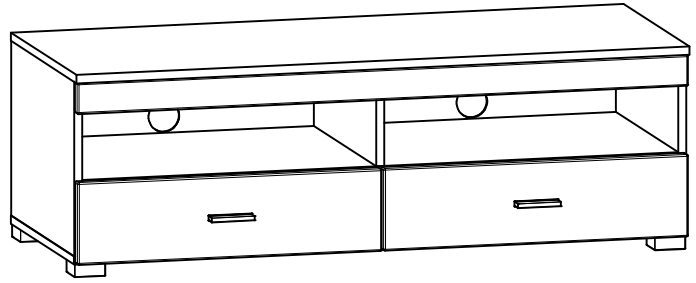
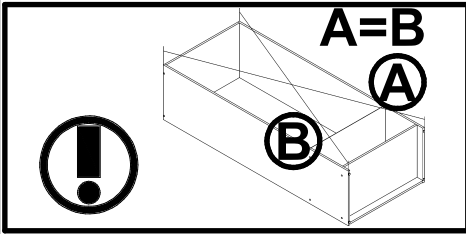
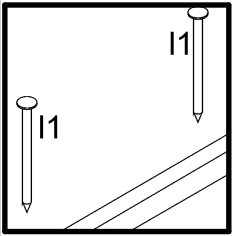
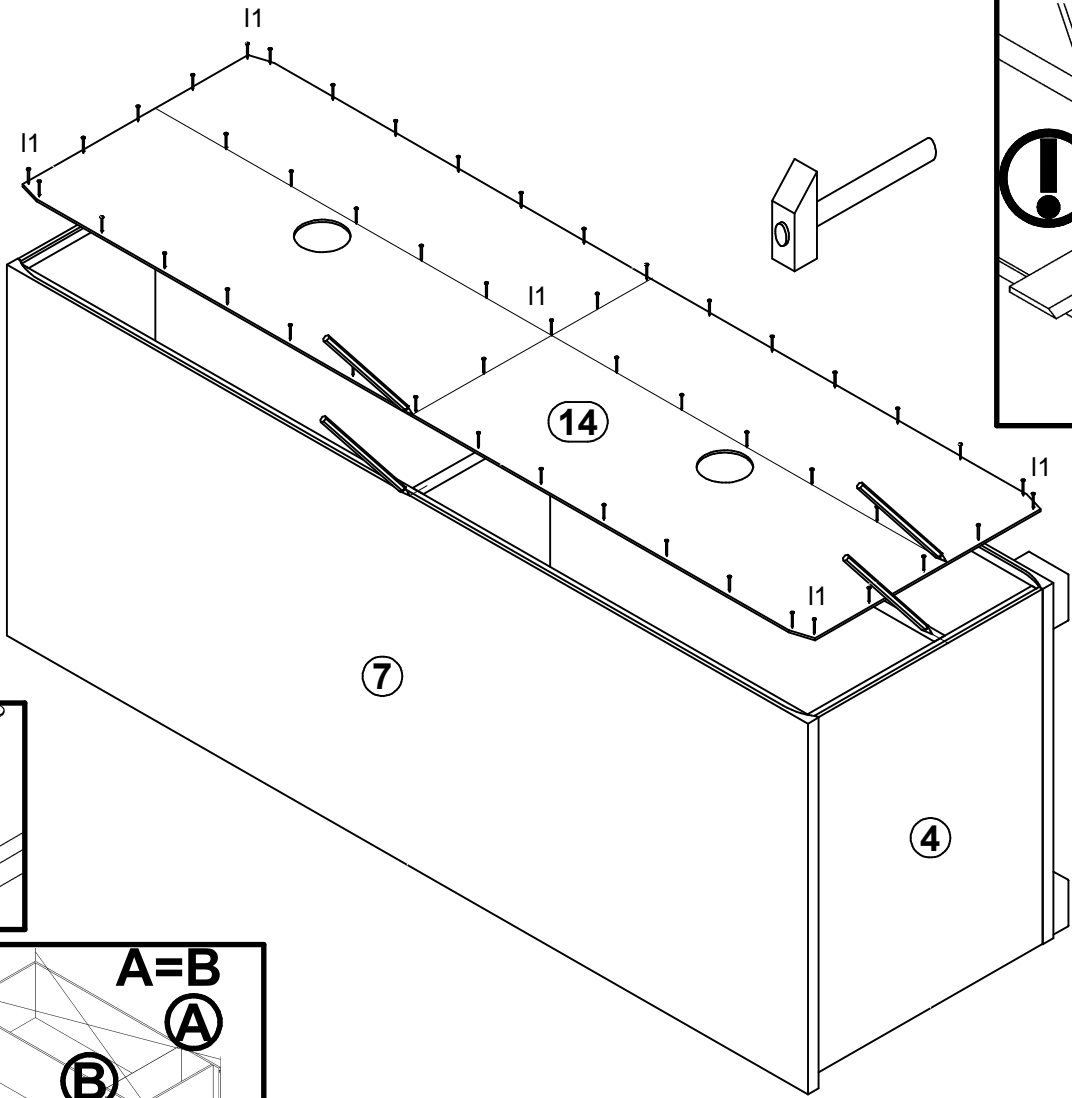


A	B	C	D	
1	S92-003	596	158	1/1
2	S92-004	596	158	1/1
3	S92-105	336	460	1/1
4	S92-106	336	460	1/1
5	S92-107	130	456	1/1
6	S92-108	190	456	1/1
7	S92-204	1200	480	1/1
8	S92-205	1200	460	1/1
9	S92-304	1167	456	1/1
10	S92-403	1196	60	1/1
11	S92-504	400	100	1/1
12	S92-505	400	100	1/1
13	S92-506	535	86	1/1
14	S92-903	1187	356	1/1
15	S92-906	543	406	1/1

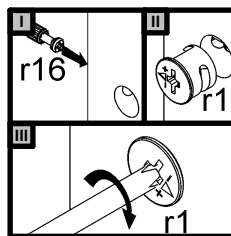
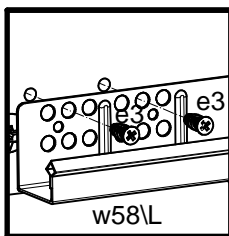
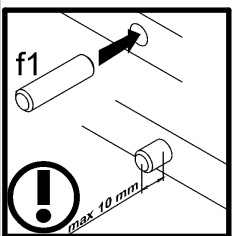
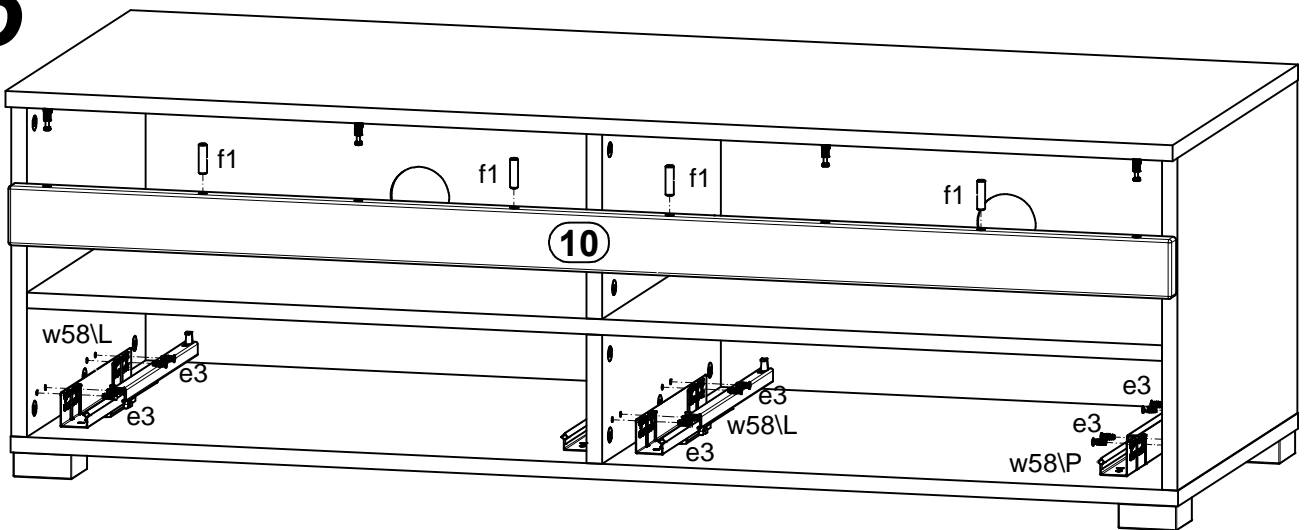


2x L-84mm c253\2	42x r16	4x φ4x30 mm p9	24x φ8x30 mm f1	34x φ15x12mm #16 r1	2x Cavetto L-400 mm w58\L	16x φ6x13 mm e3	12x ø16 s2	2x Cavetto L-400 mm w58\P
5x k55	10x φ4x35 mm p6	8x φ3,5x16 mm p38	8x φ5,5x40 mm f25	8x φ12x10,5mm #12 r15	50x l1	1x n26\1	1x φ3,5x16 mm p38	

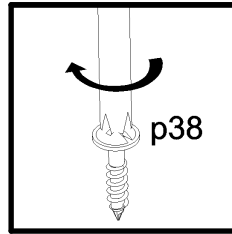
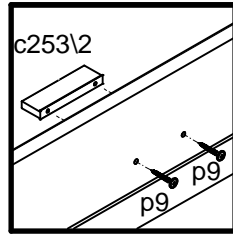
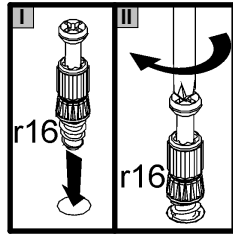
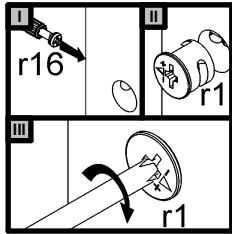
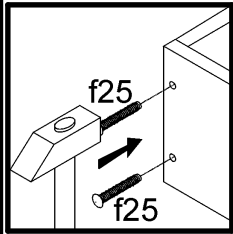
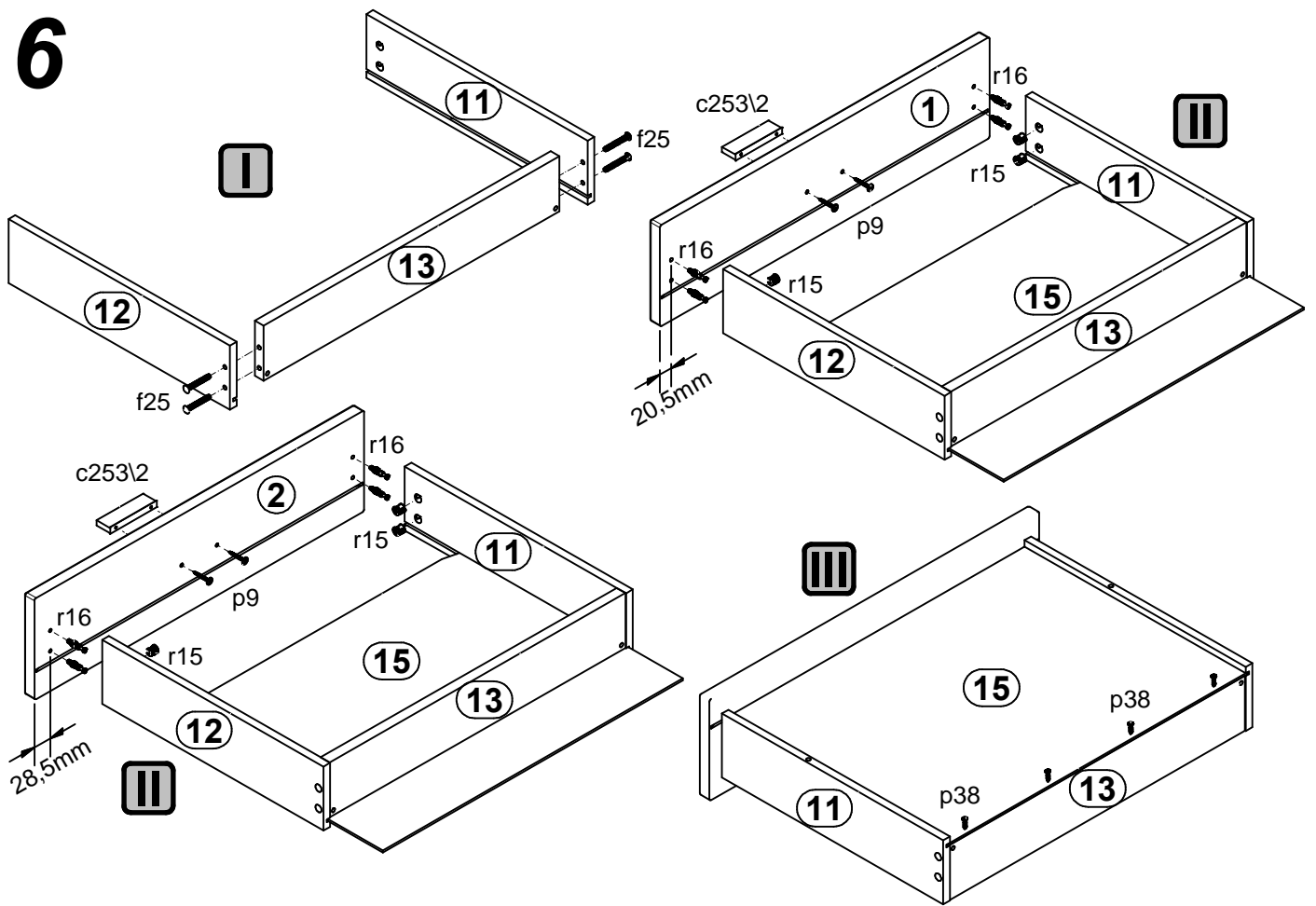
4



5



6



7

