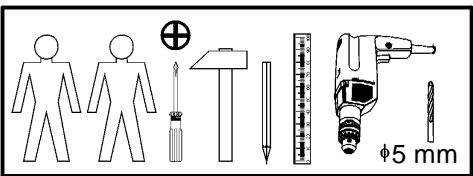
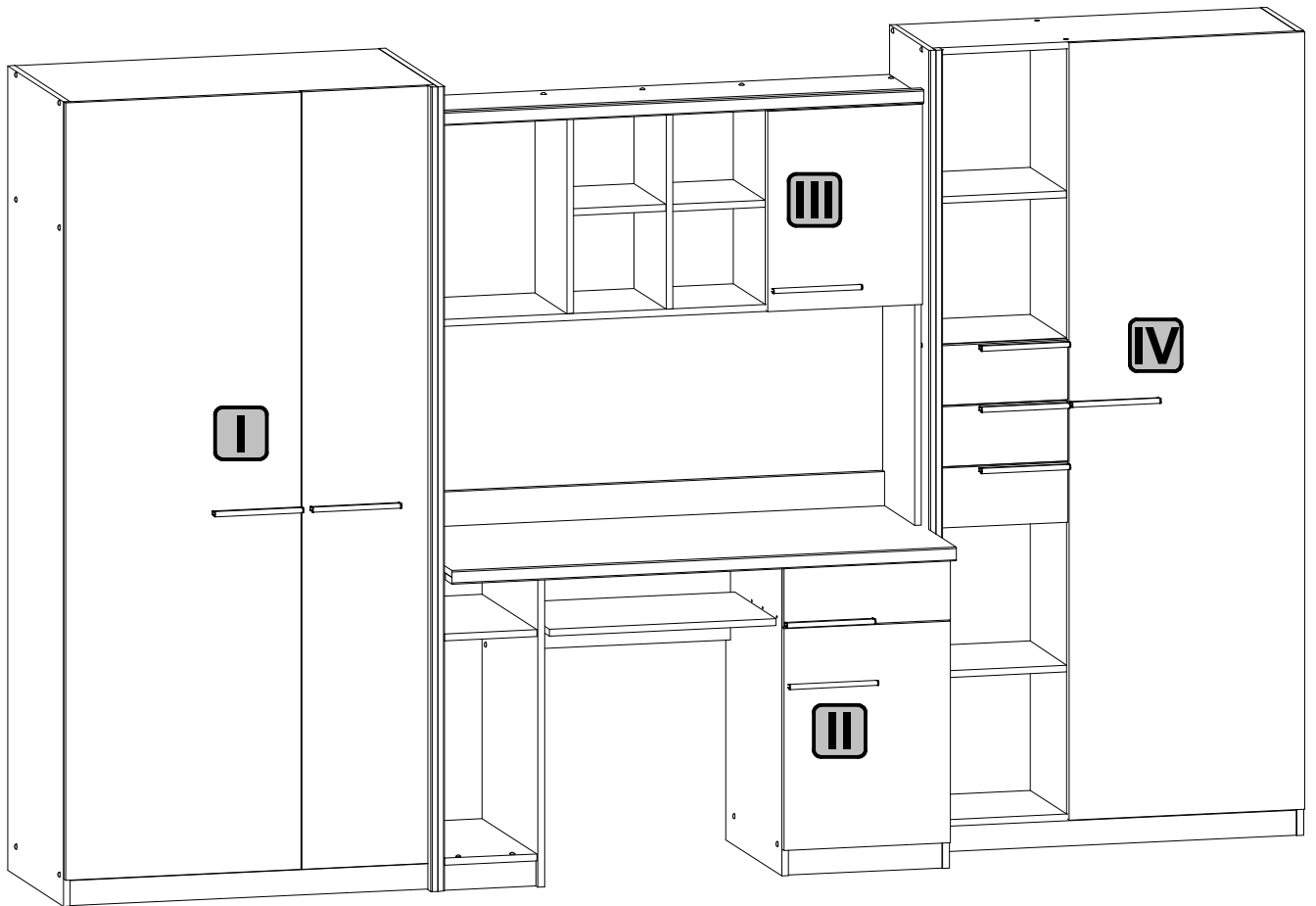


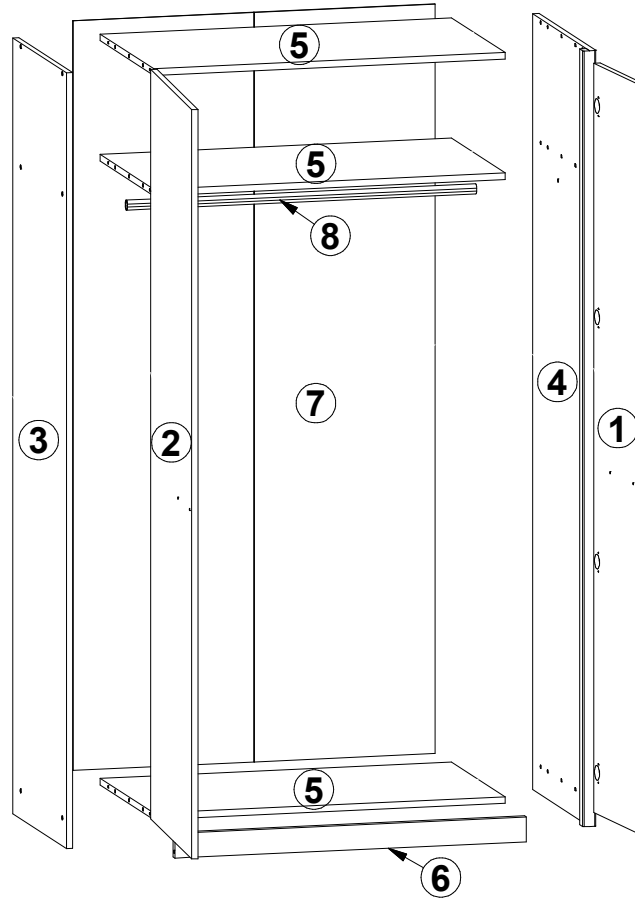
# W42-KARI



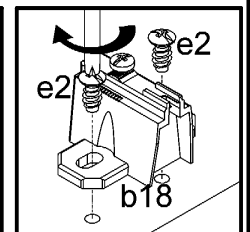
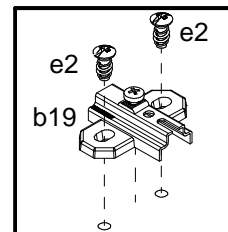
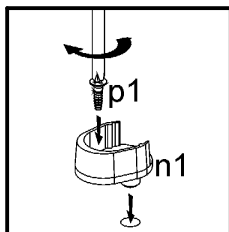
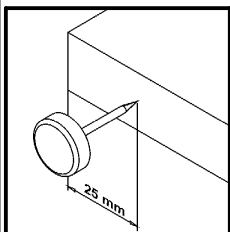
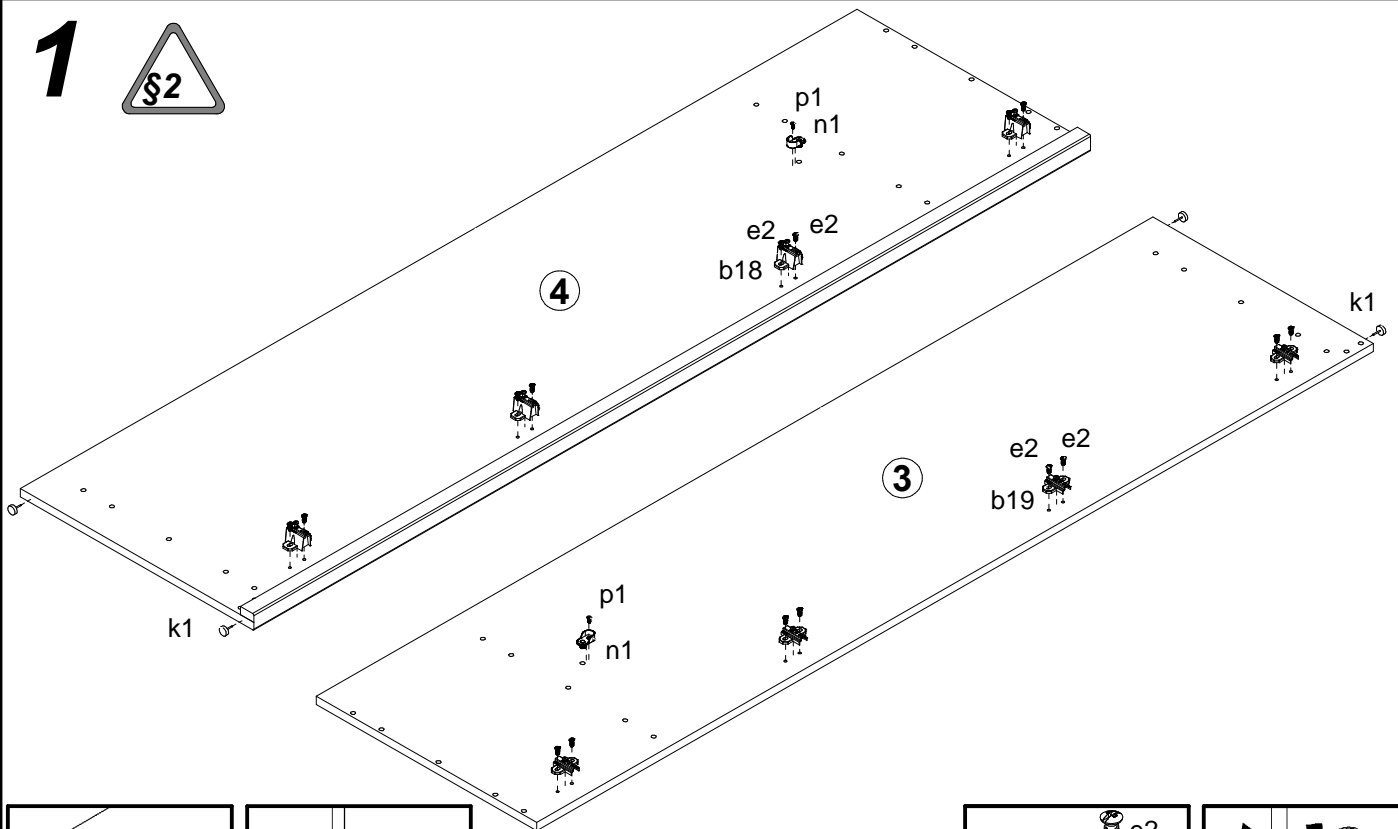
4x  a43	12x  a44	4x  b18	12x  b19	9x  c220	32x  d1	75x  e1	9x  e16	16x  e19
32x  e2	21x  e3	92x  f1	16x  f25	16x  k1	260x  l1	2x  n1	2x  n52	2x  p1
6x  p25	4x  p27	9x  p38	32x  p51	18x  p90	6x  r1	16x  r15	22x  r16	38x  s1
4x  s2	9x  w36	3x  w37\CL	3x  w37\CR	3x  w37\DL	3x  w37\DR	2x  w45\CL	2x  w45\CR	2x  w45\DL
2x  w45\DR	1x  z1	3x  n26\1	3x  p38	12x  j45\1	6x  j45\2			

# Szafa I

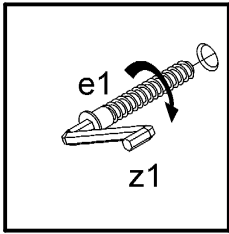
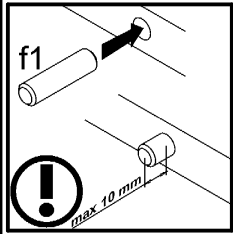
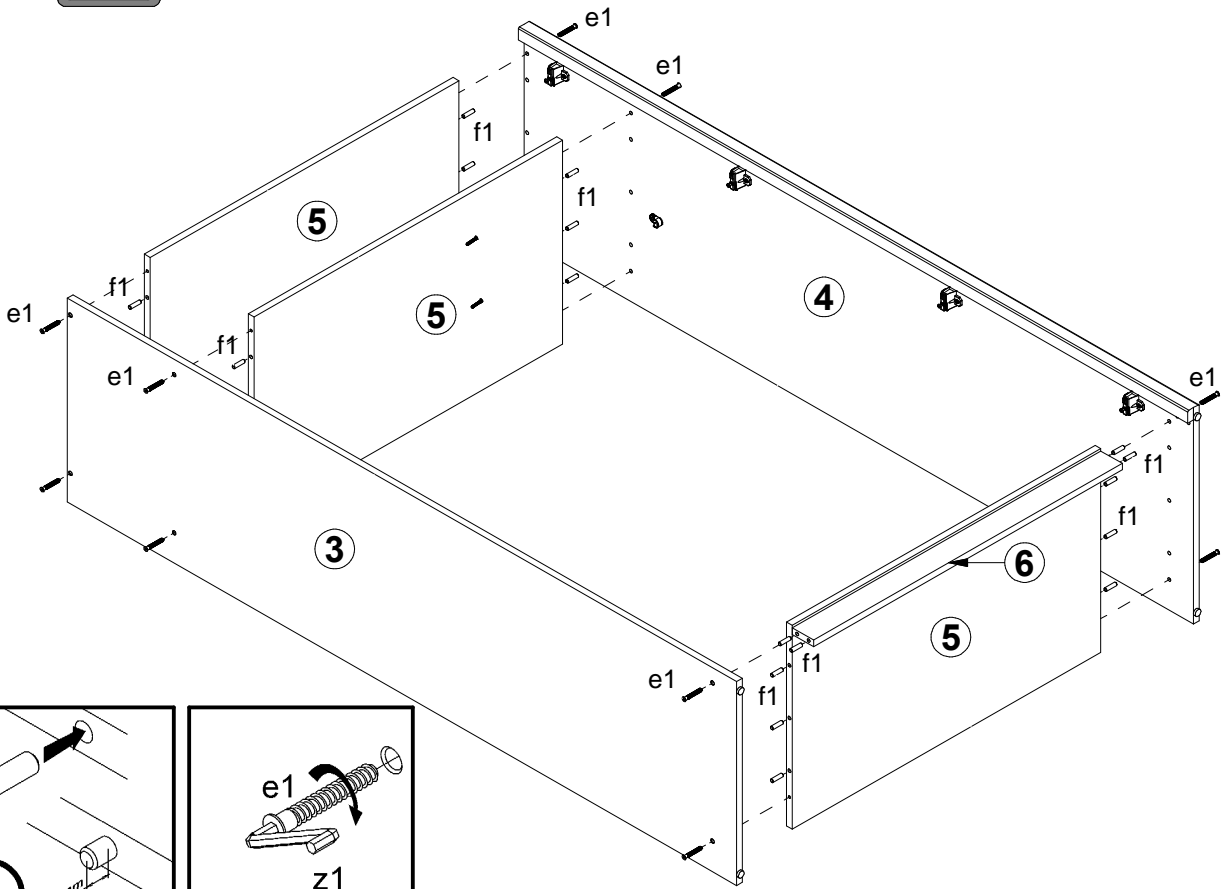
A	B	C	D	
1	M42-003	1816	300	8/9
2	M42-004	1816	560	9/9
3	M42-104	1880	495	1/9
4	M42-105	1880	525	2/9
5	M42-303	867	495	1/9
6	M42-406	867	60	4/9
7	M42-903	1816	893	6/9
8	dr-862	862	22	4/9



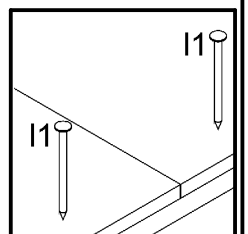
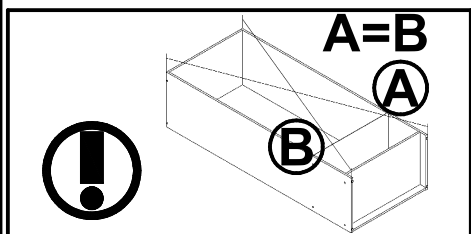
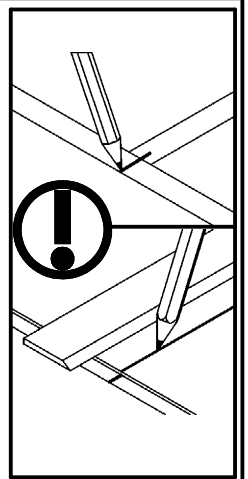
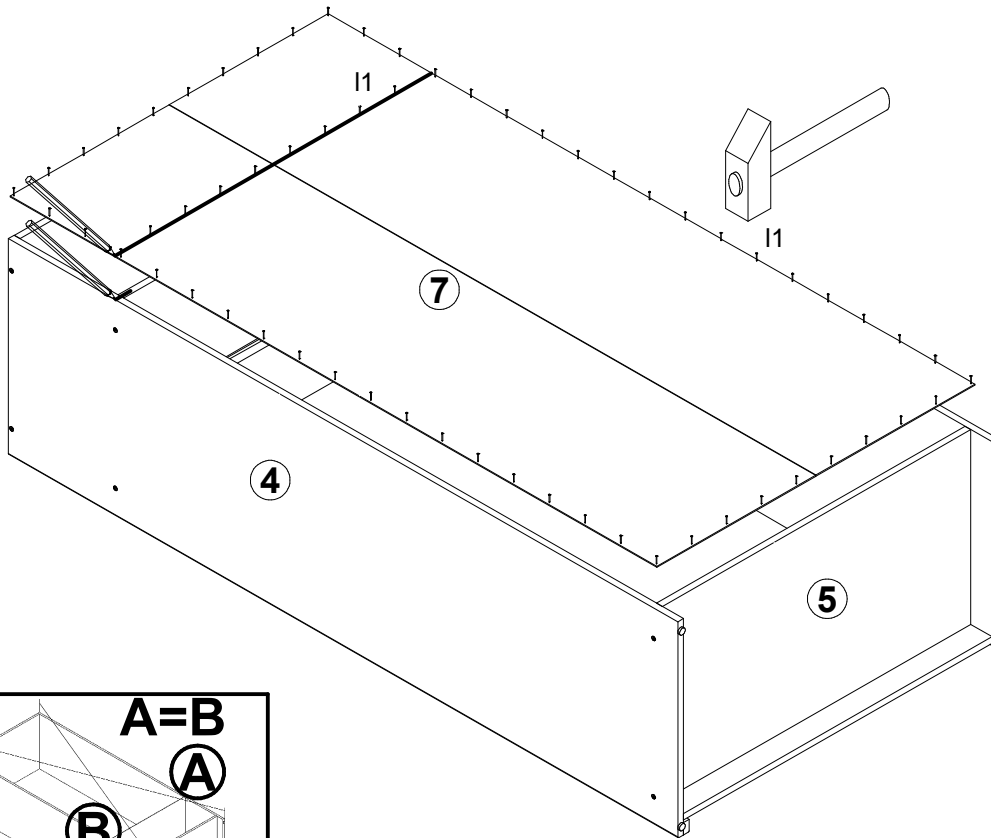
# 1



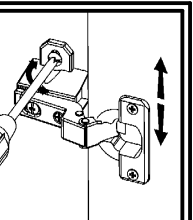
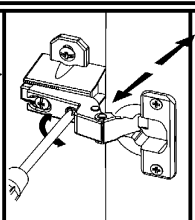
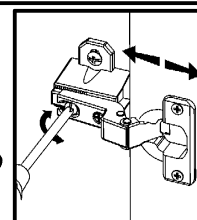
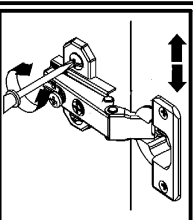
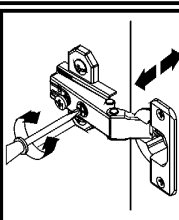
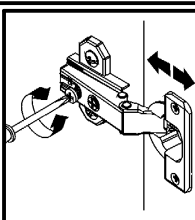
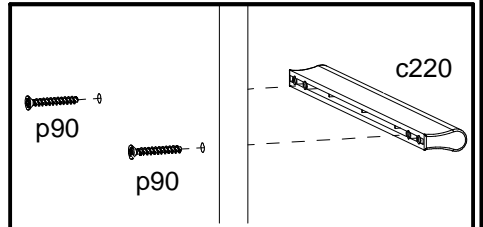
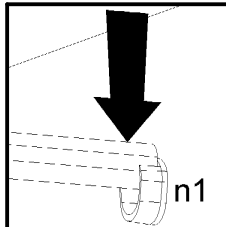
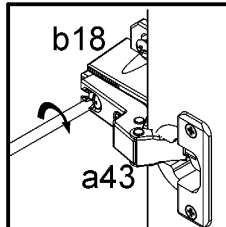
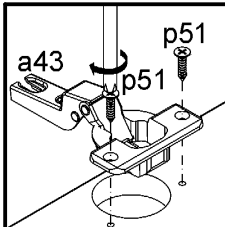
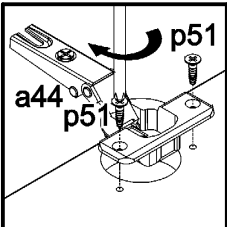
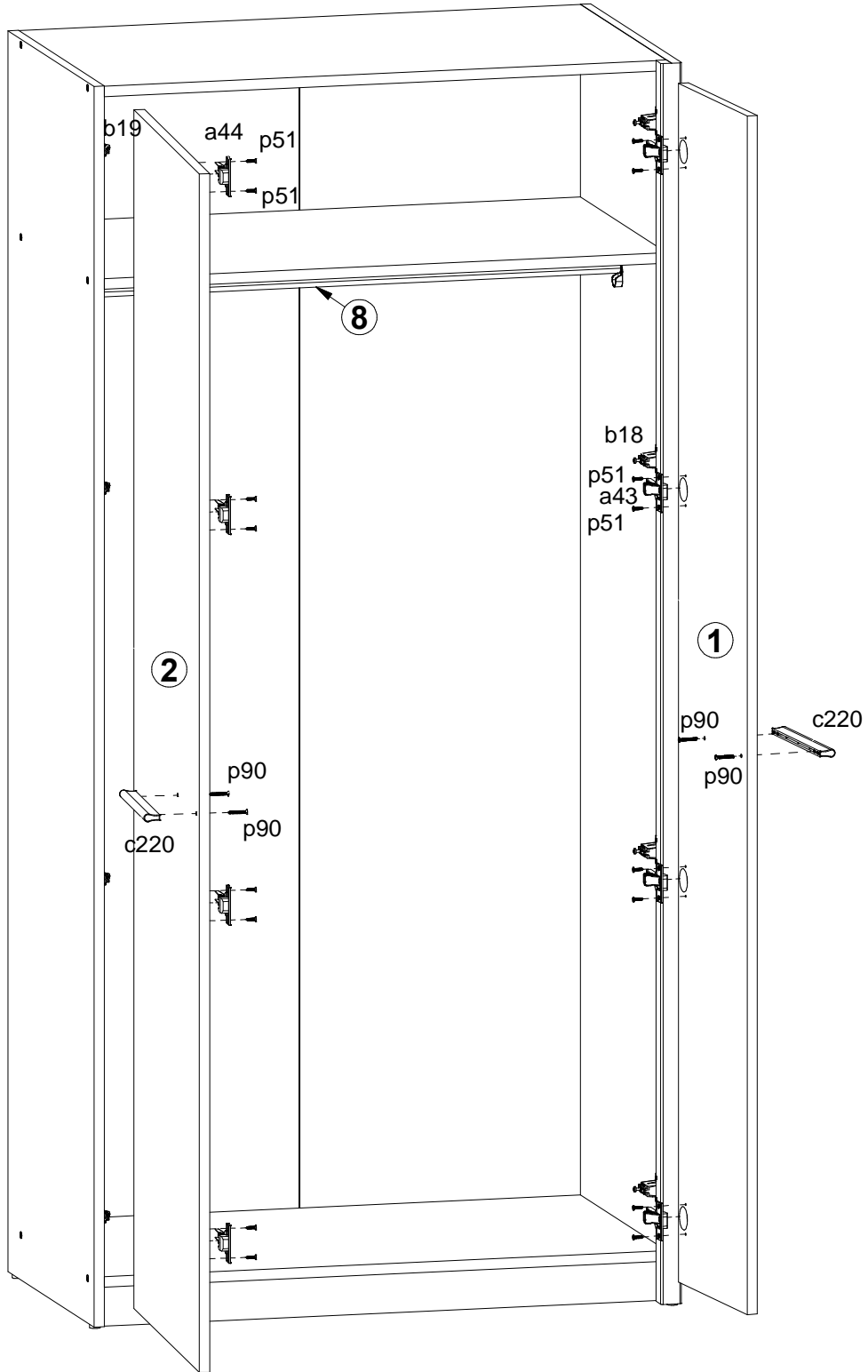
# 2



# 3

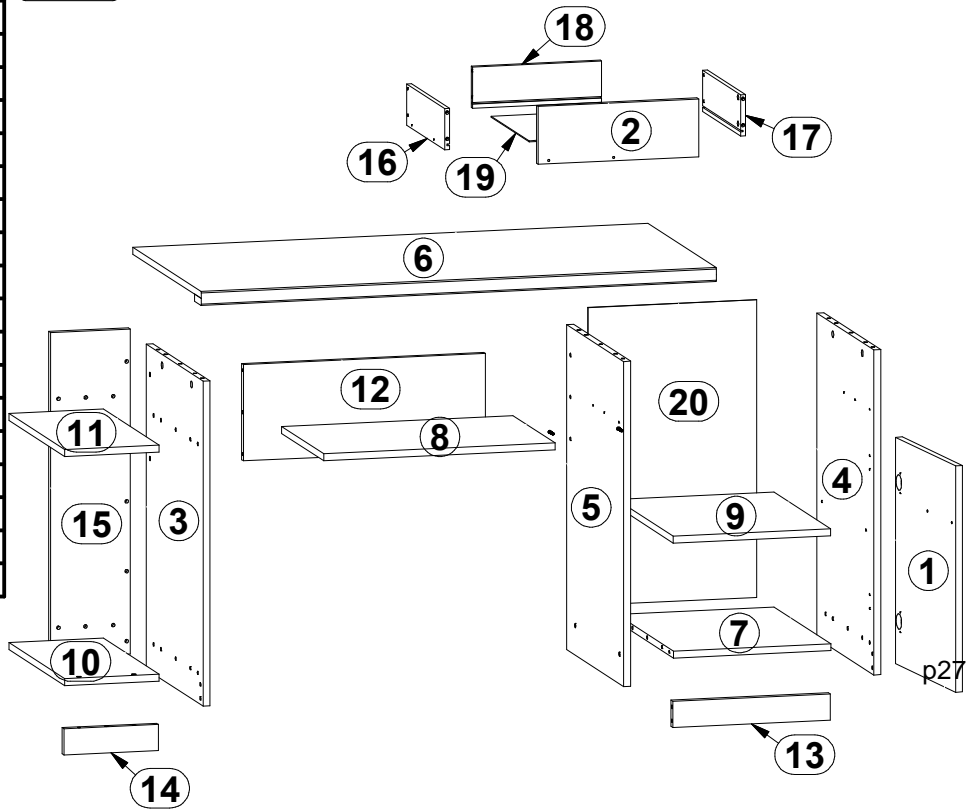


# 4

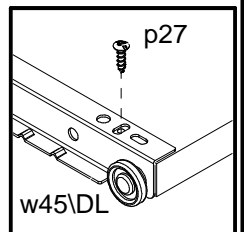
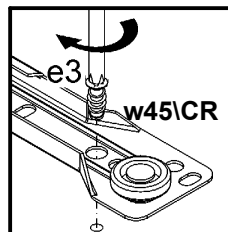
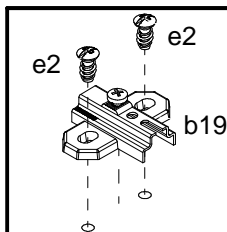
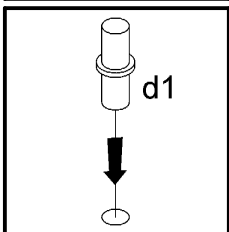
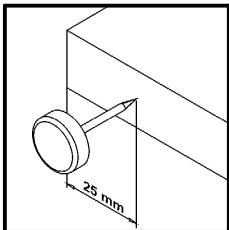
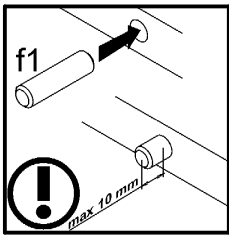
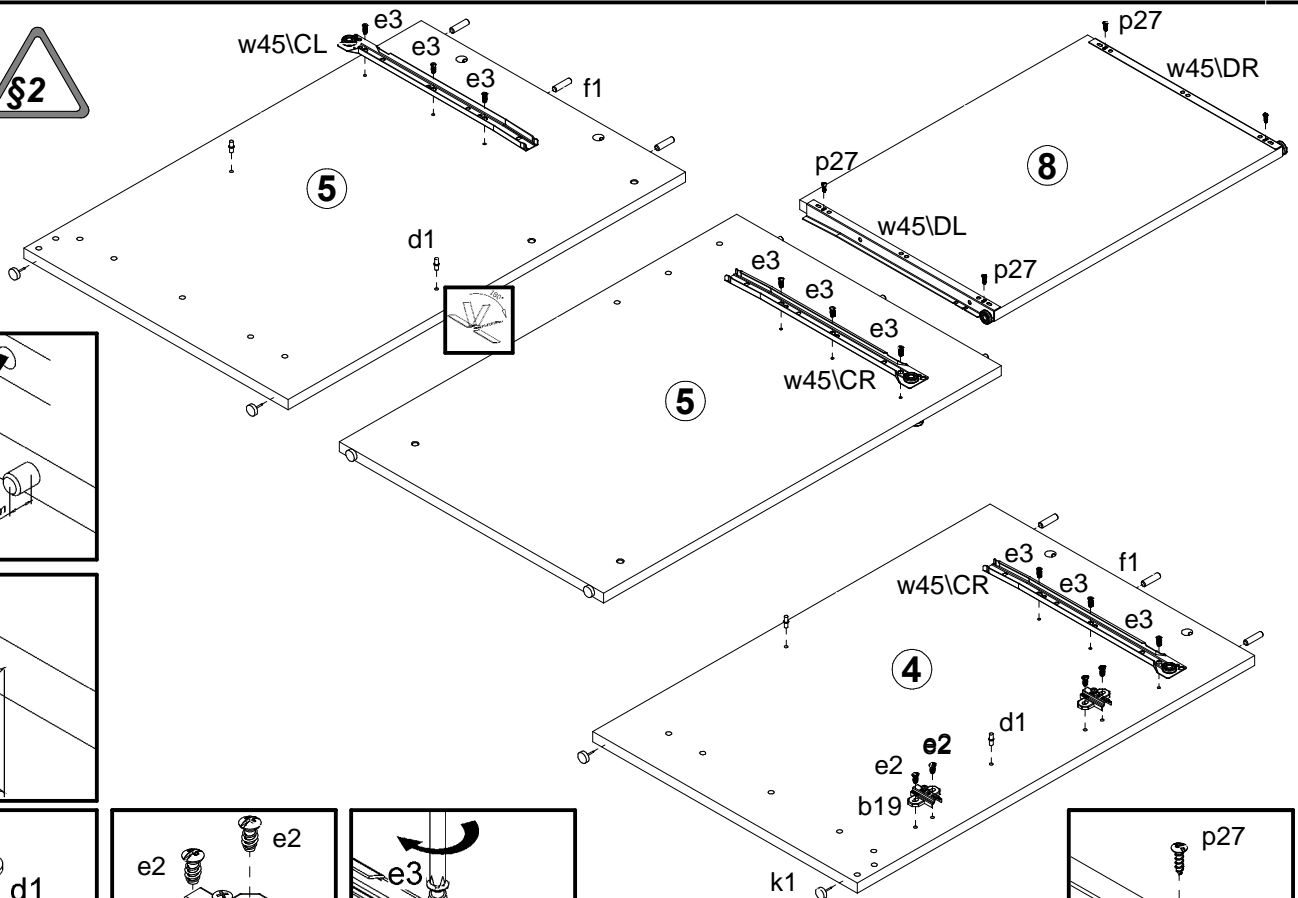


# Biurko II

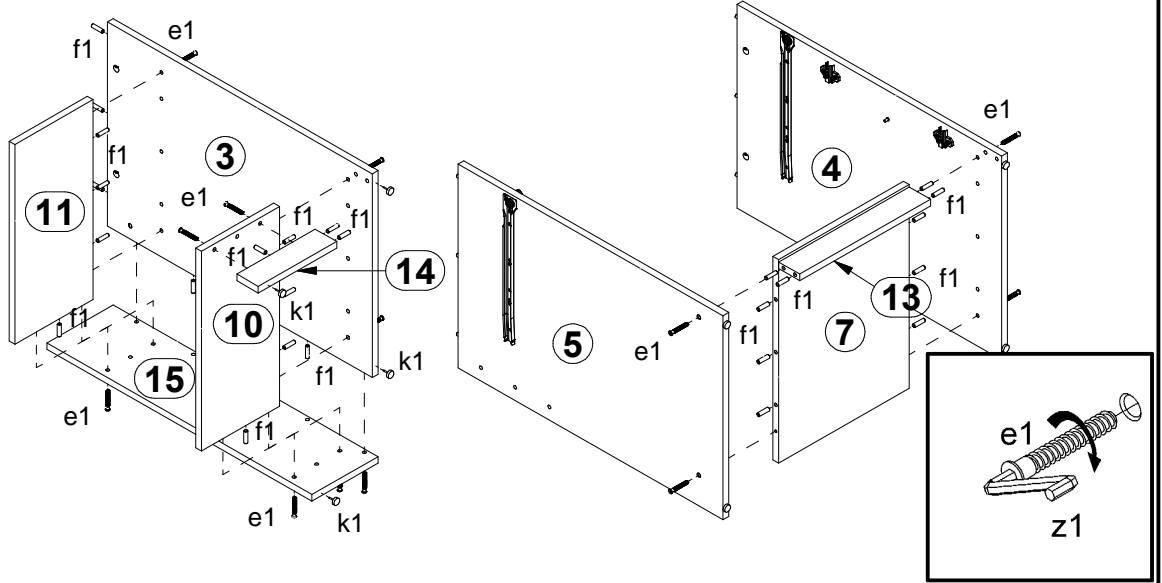
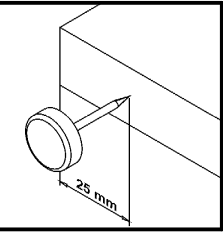
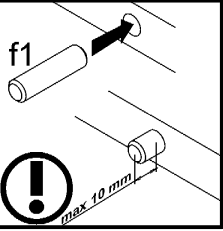
A	B	C	D	
1	M42-001	518	396	7/9
2	M42-002	396	140	7/9
3	M42-101	744	495	1/9
4	M42-102	744	495	1/9
5	M42-103	744	495	1/9
6	M42-201	1200	595	2/9
7	M42-301	367	495	1/9
8	M42-302	539	365	2/9
9	M42-304	367	492	2/9
10	M42-305	220	485	2/9
11	M42-306	220	485	2/9
12	M42-401	564	220	4/9
13	M42-403	367	60	4/9
14	M42-407	220	60	4/9
15	M42-408	744	186	4/9
16	M42-501	350	100	4/9
17	M42-502	350	100	4/9
18	M42-503	318	100	4/9
19	M42-901	329	348	6/9
20	M42-902	681	393	6/9



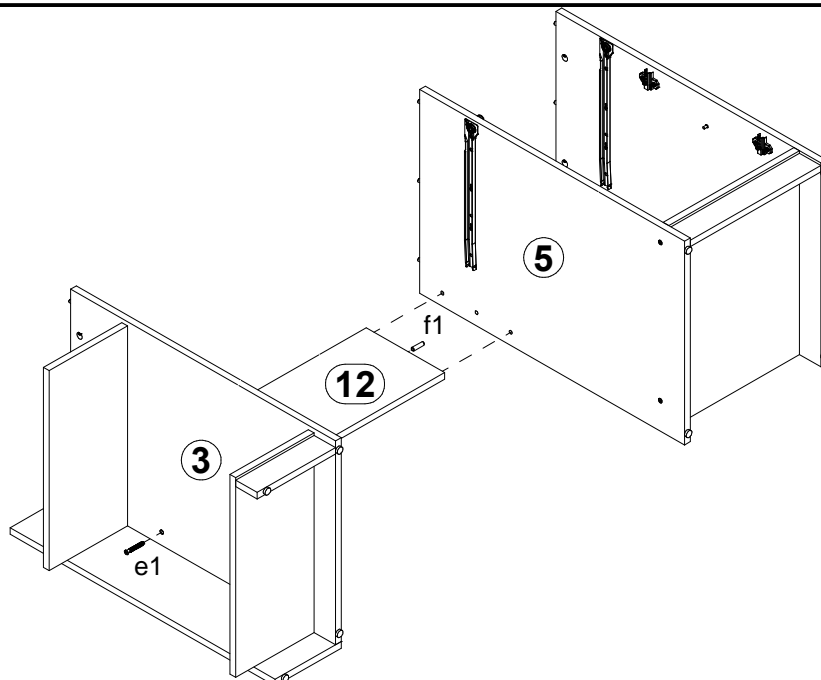
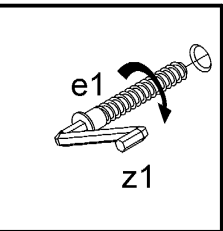
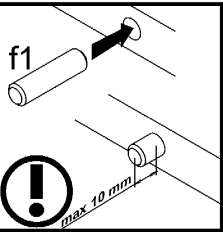
## 5



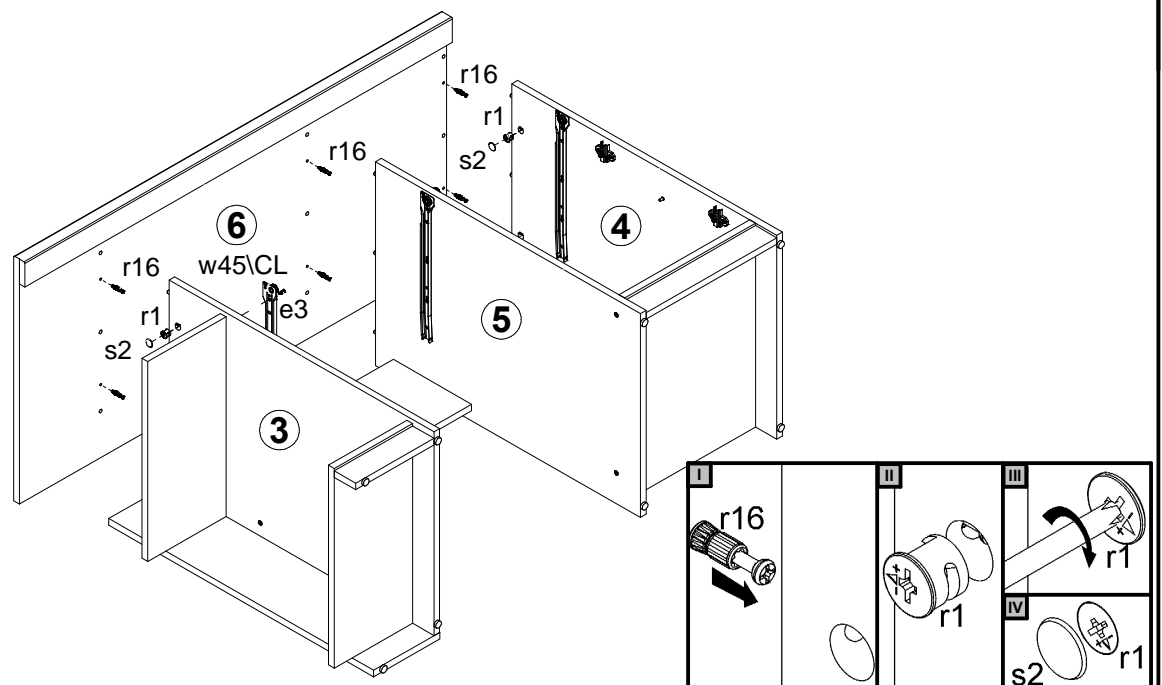
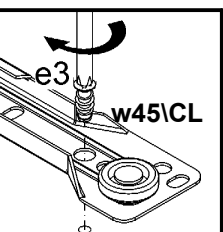
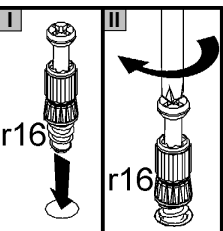
# 6



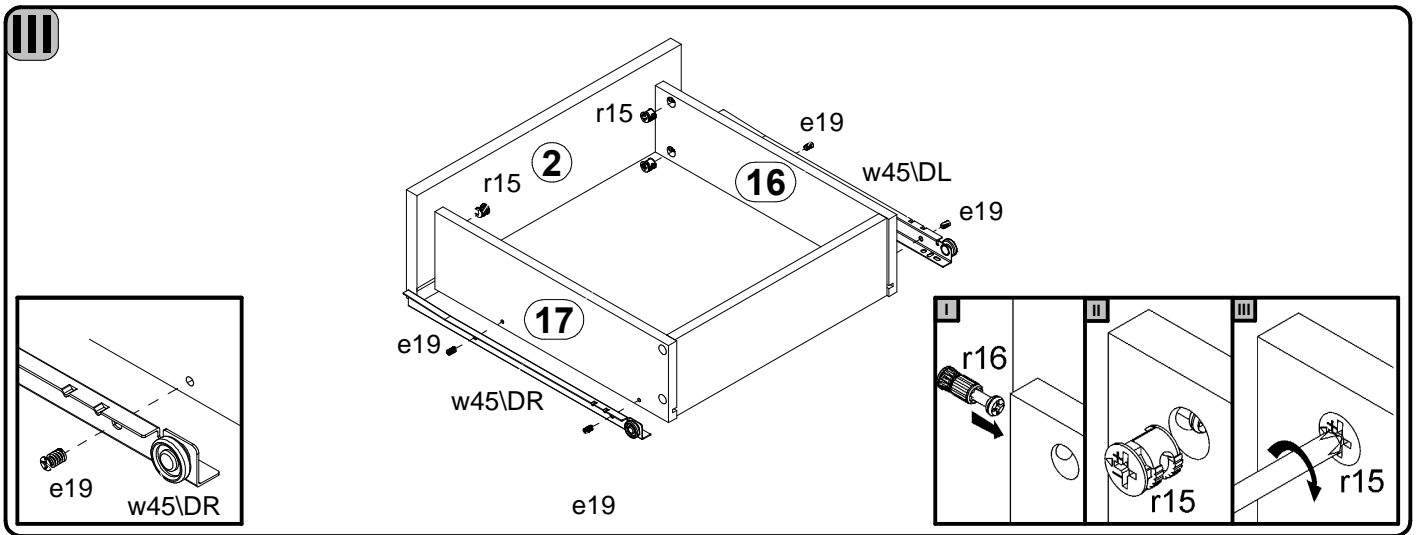
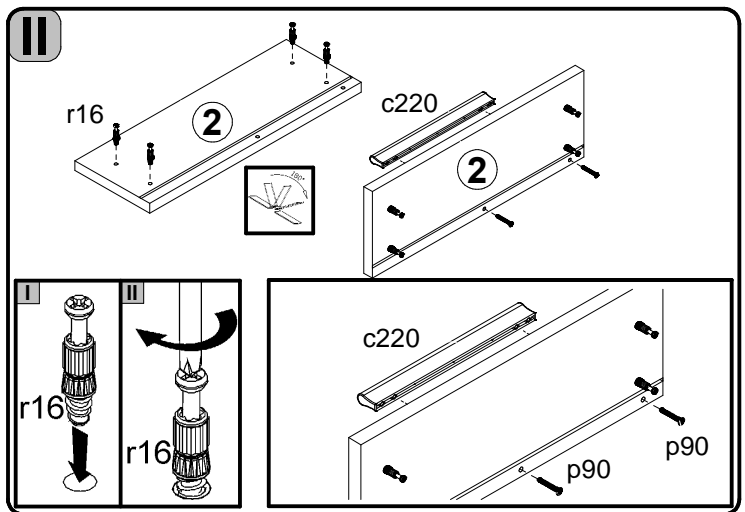
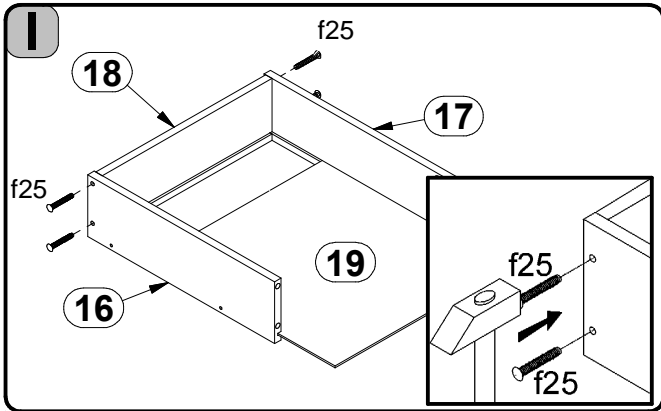
# 7



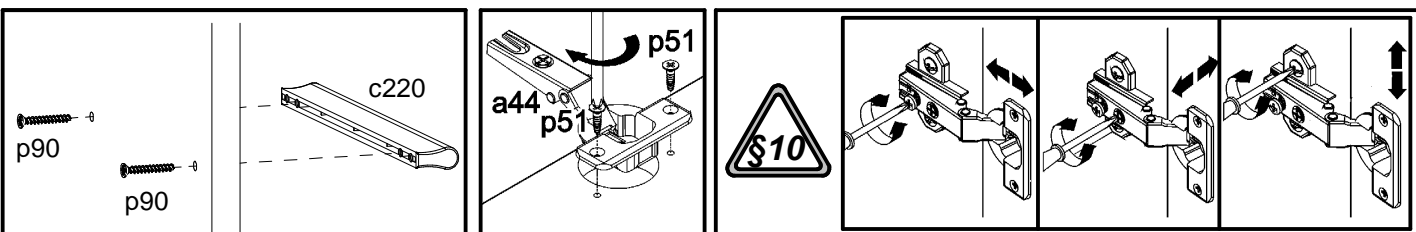
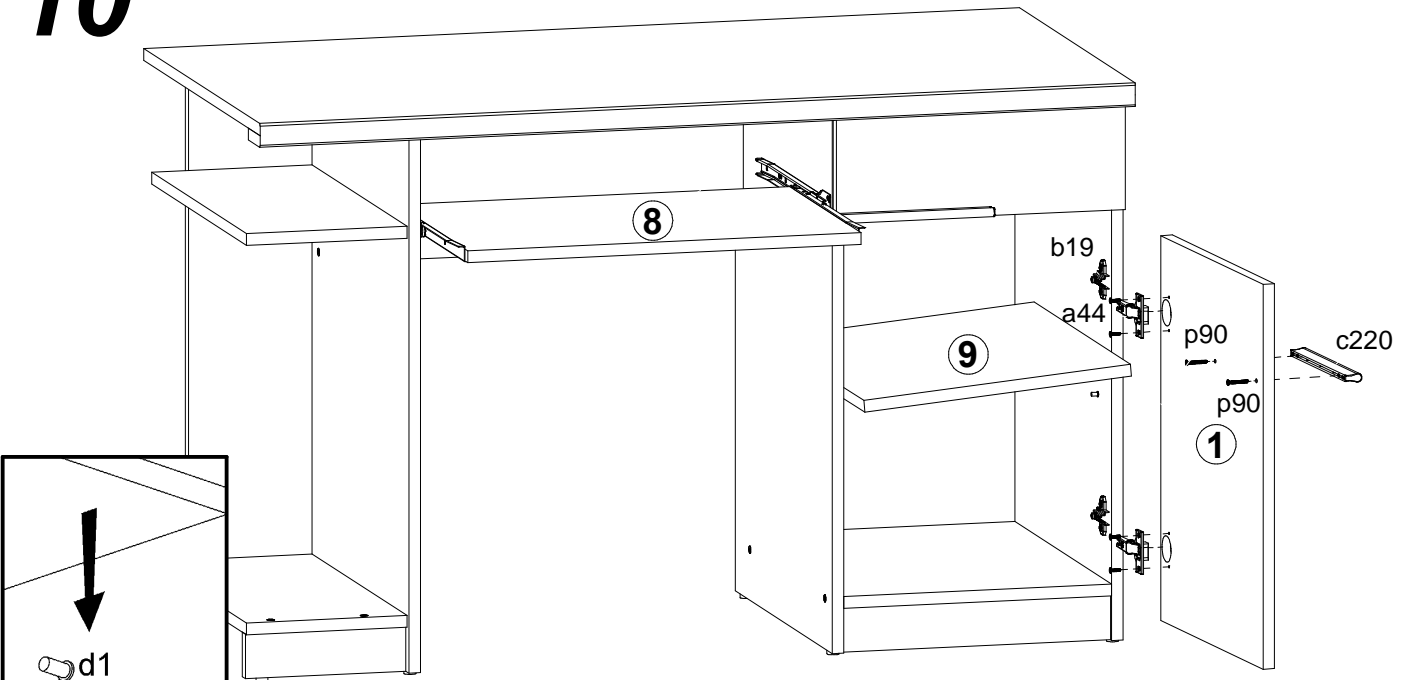
# 8



# 9

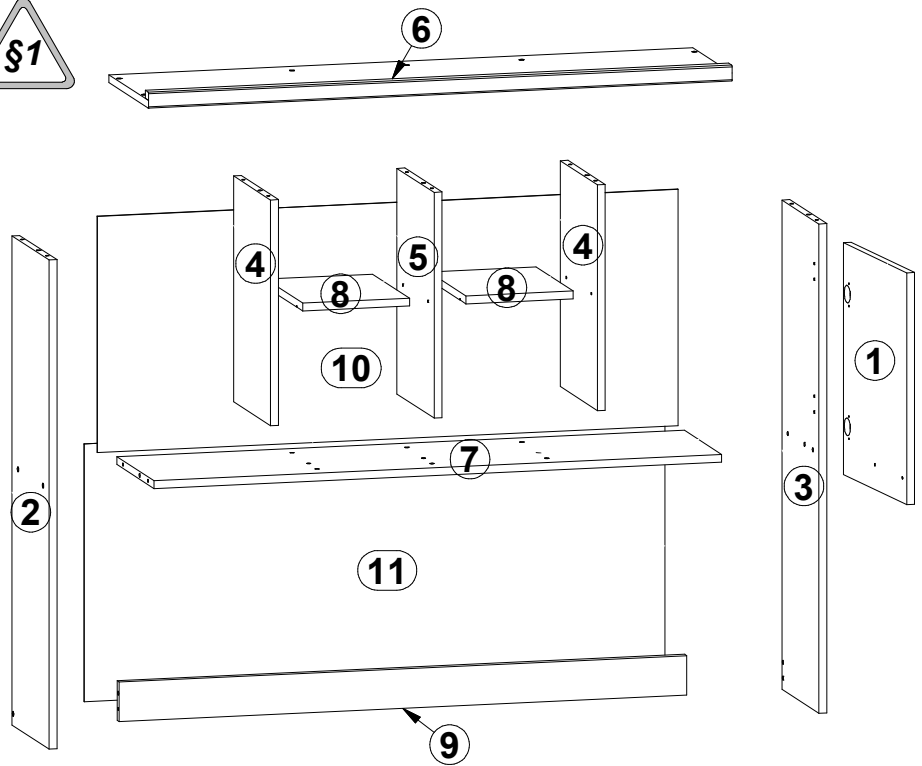


# 10

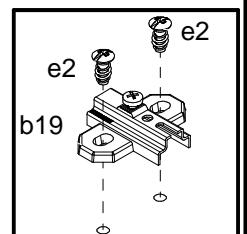
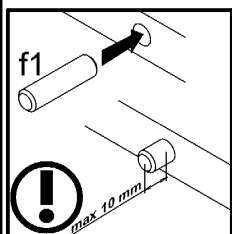
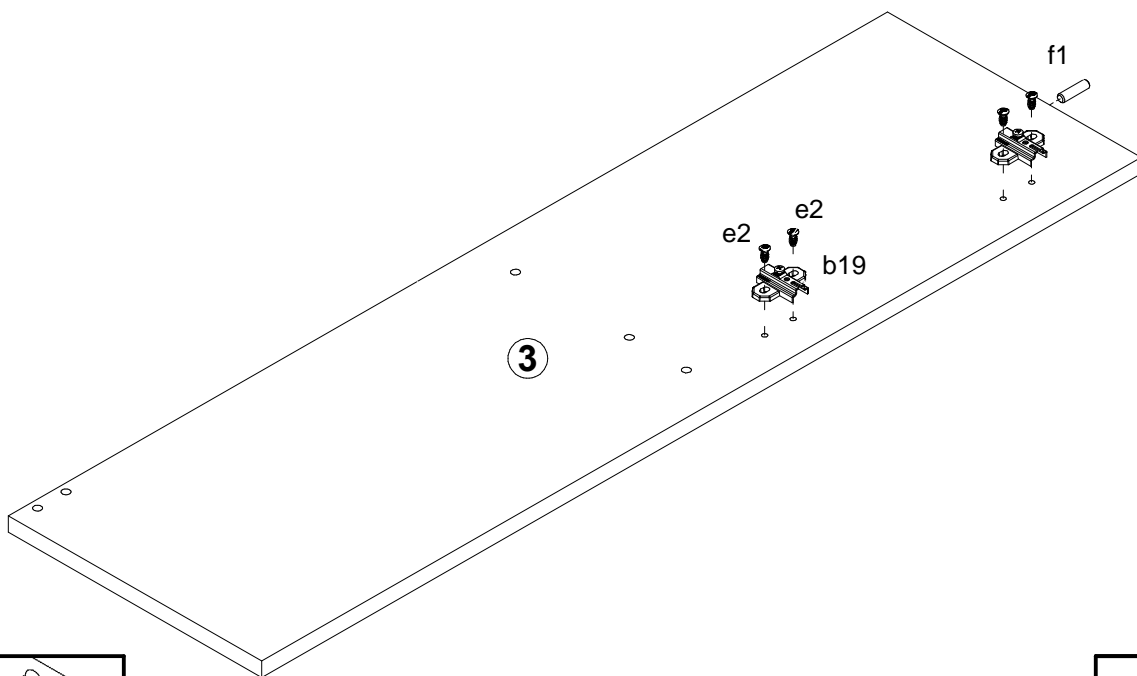


# Nadstawka

A	B	C	D	
1	M42-007	468	368	7/9
2	M42-106	988	285	4/9
3	M42-107	988	285	4/9
4	M42-110	456	285	4/9
5	M42-112	456	285	4/9
6	M42-202	1200	303	2/9
7	M42-308	1167	285	4/9
8	M42-309	220	284	4/9
9	M42-409	1167	80	4/9
10	M42-905	477	1194	6/9
11	M42-906	520	1194	6/9

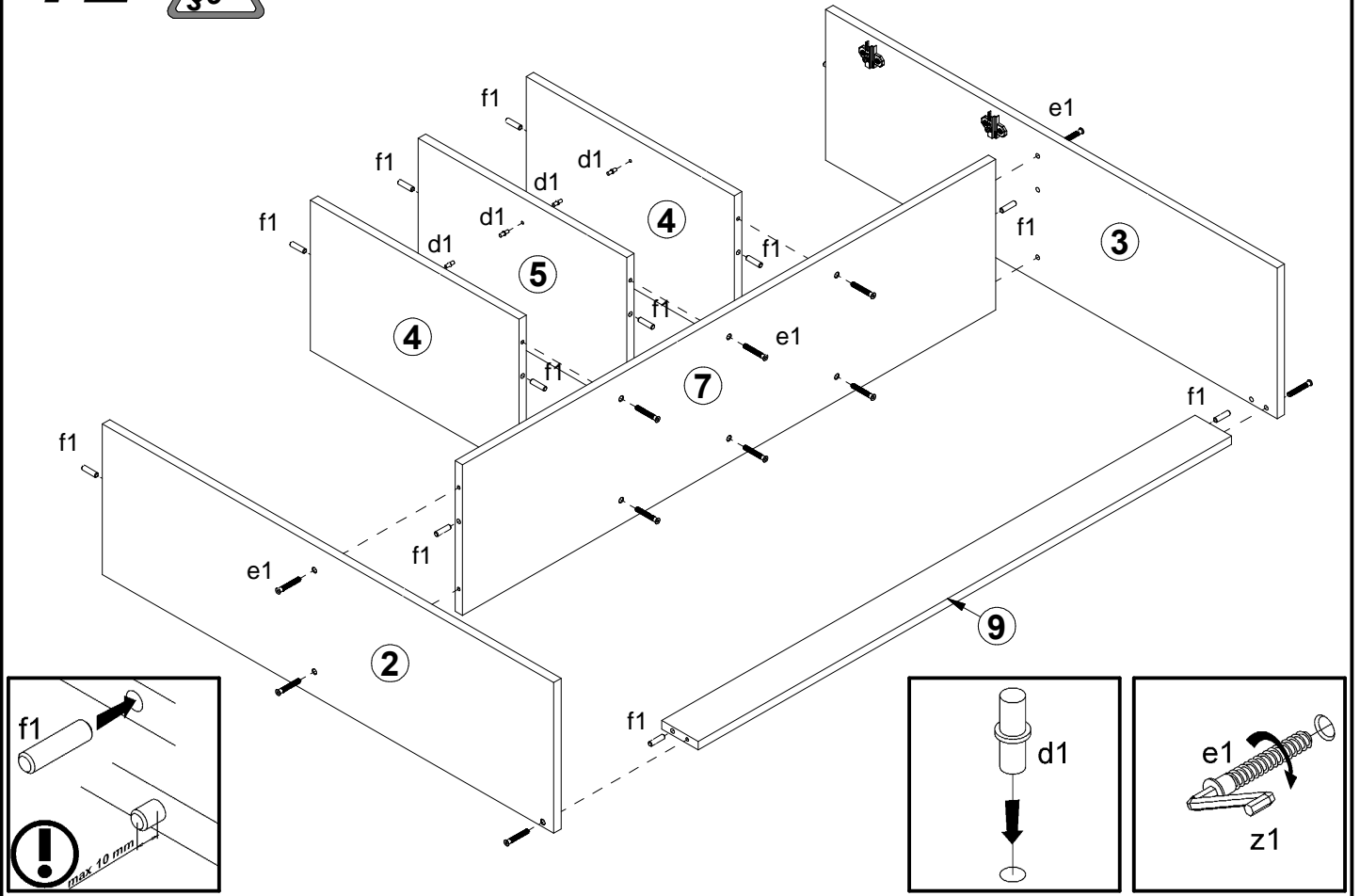


# 11

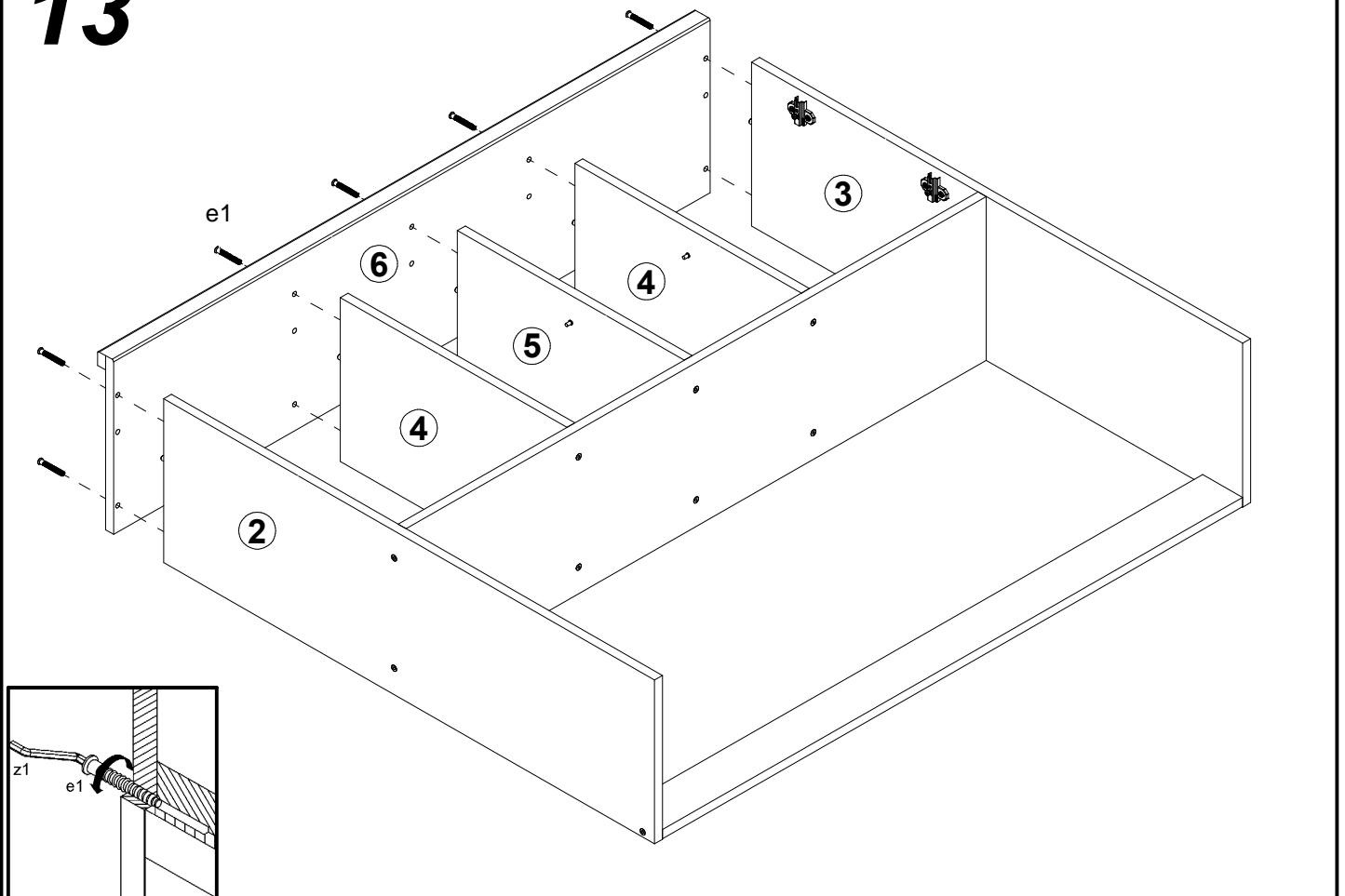




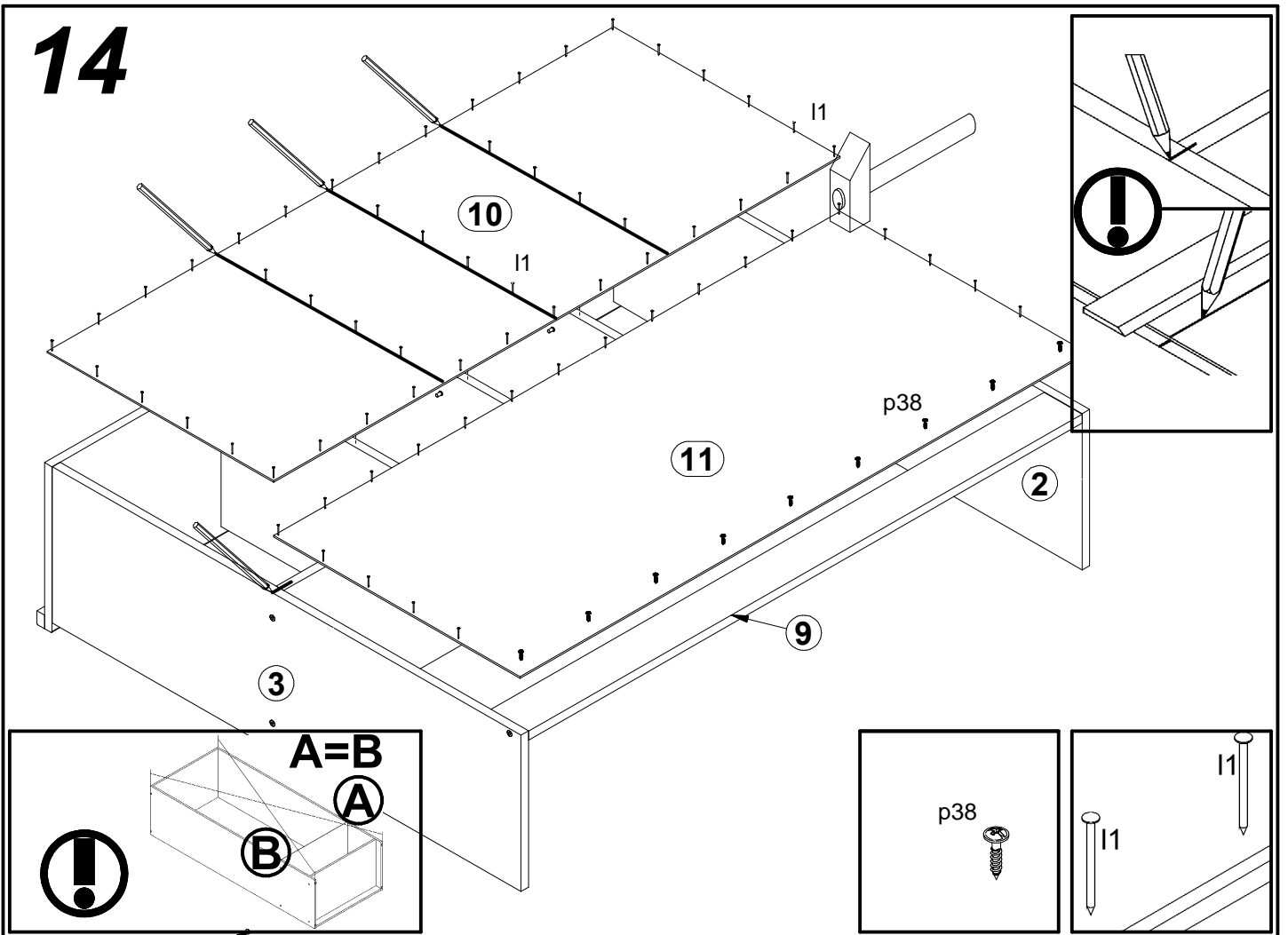
# 12



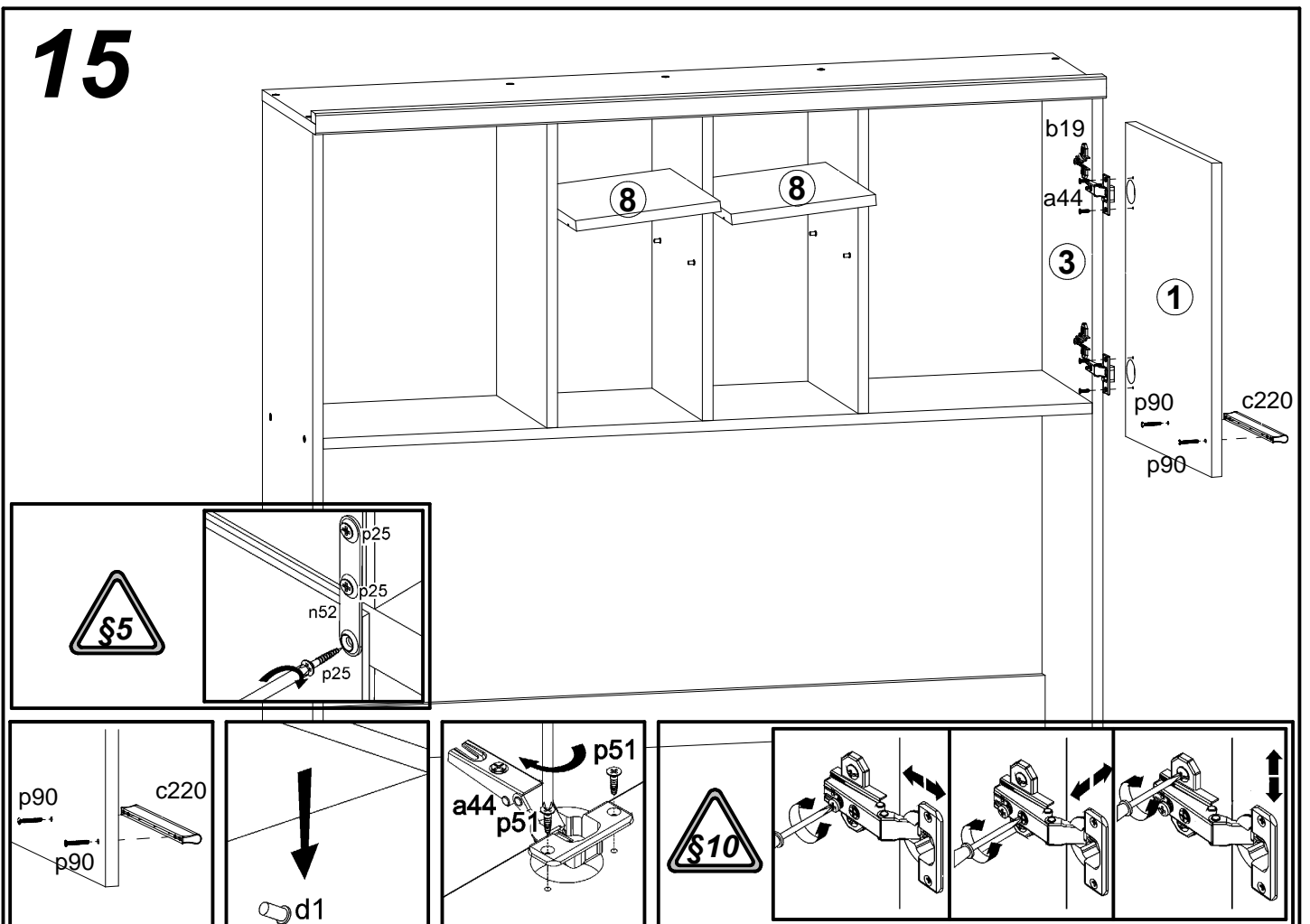
# 13



# 14

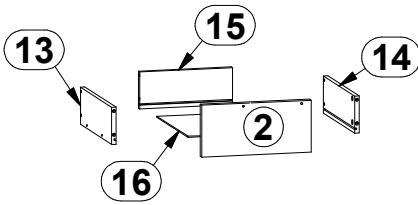
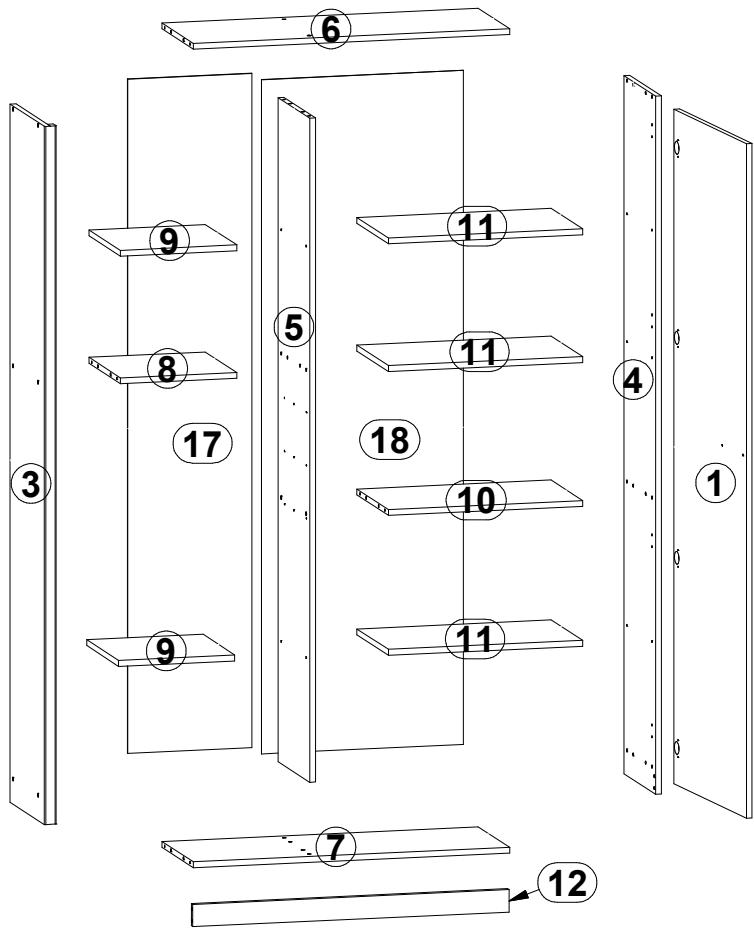


# 15

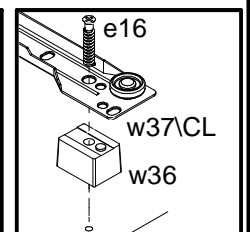
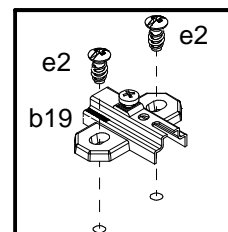
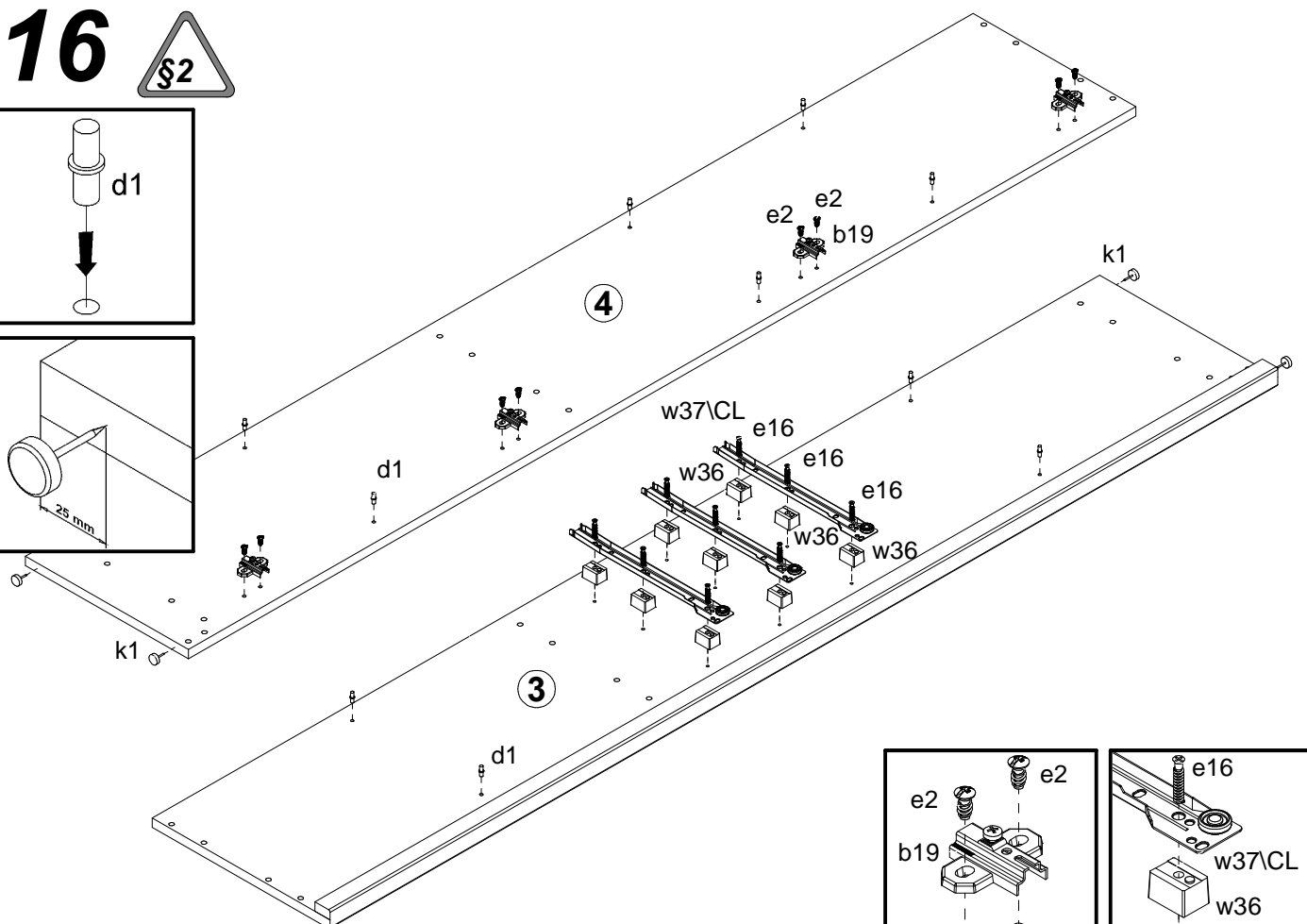
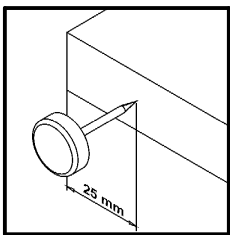
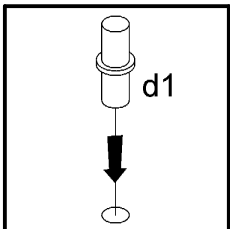


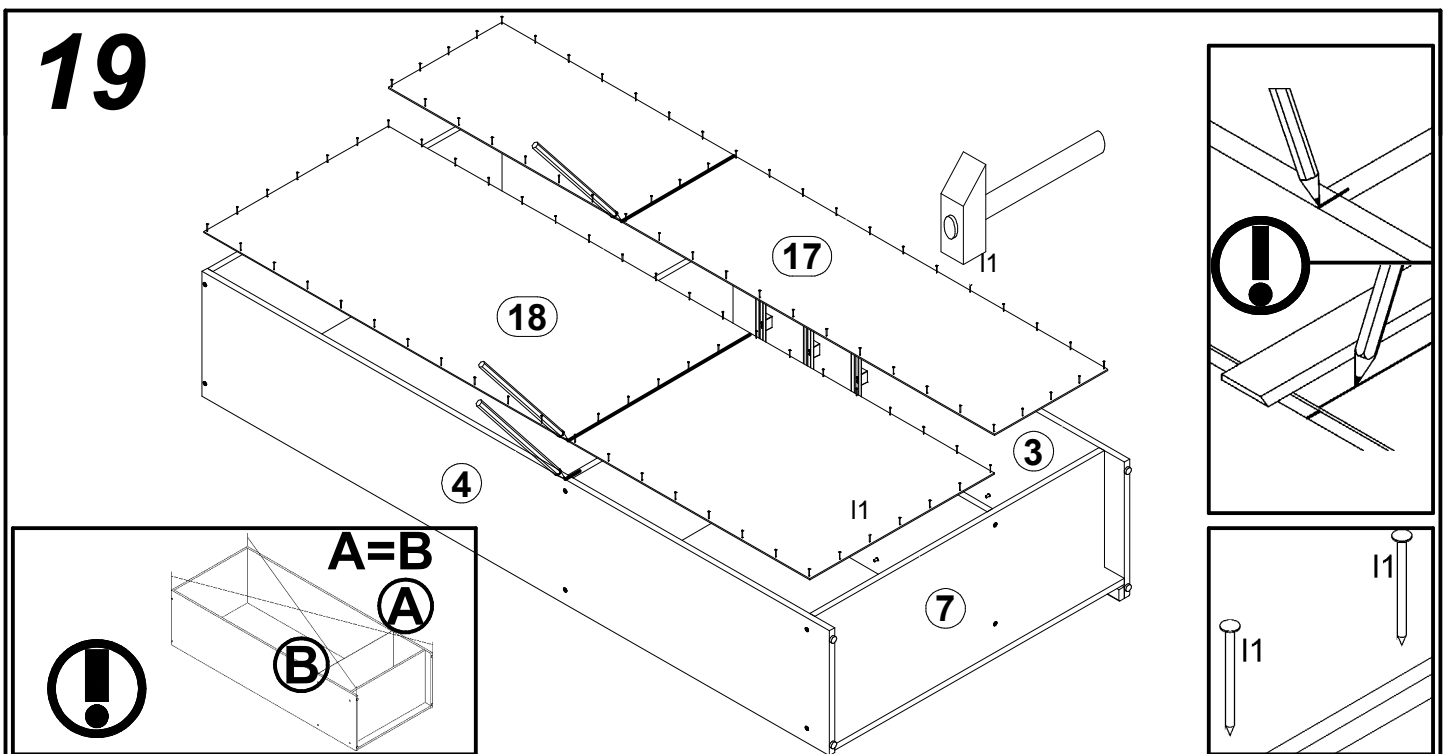
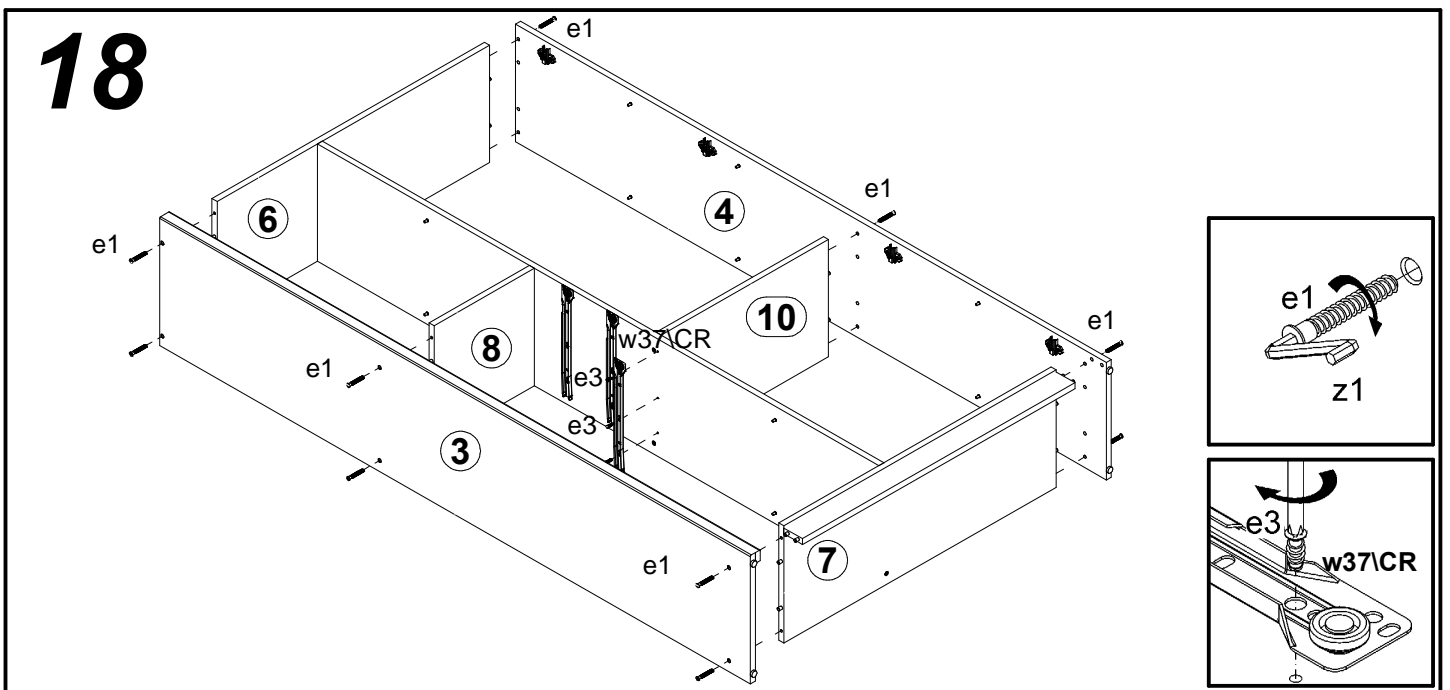
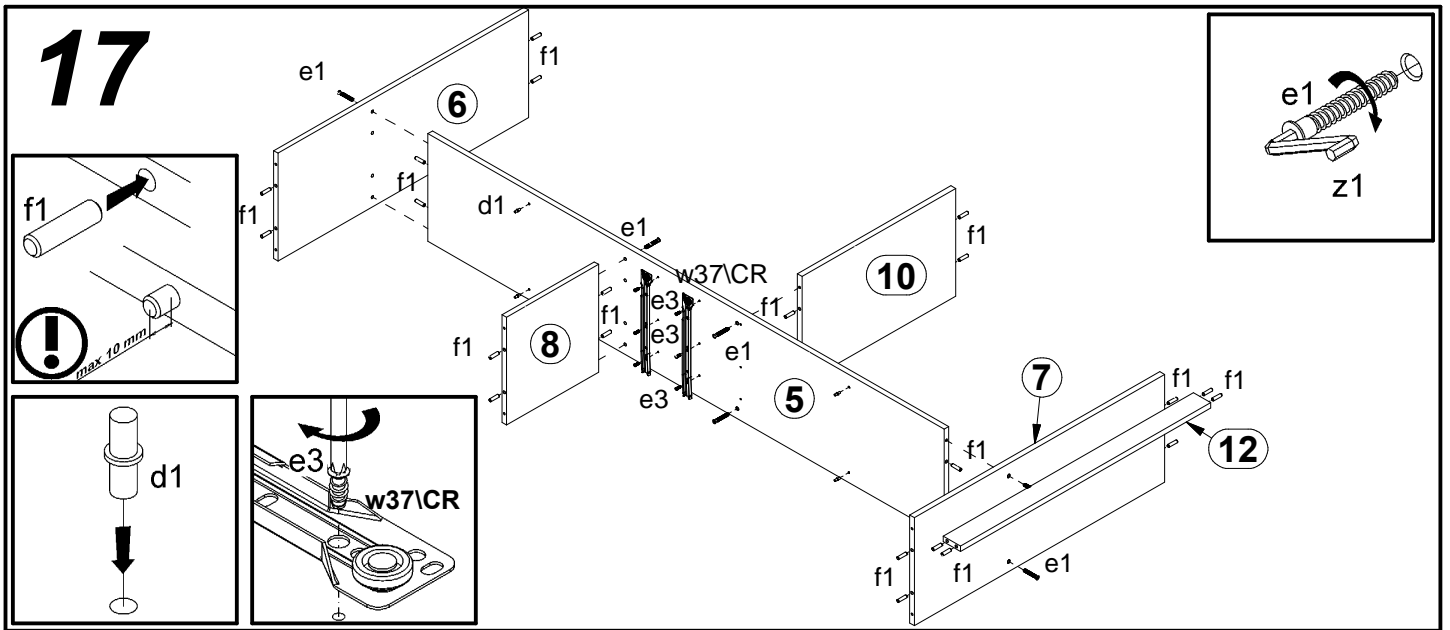
# Regal **V**

A	B	C	D	
1	M42-004	1816	560	9/9
2	M42-006	300	140	7/9
3	M42-108	1880	353	2/9
4	M42-109	1880	323	3/9
5	M42-113	1788	323	3/9
6	M42-307	867	323	3/9
7	M42-310	867	323	3/9
8	M42-311	319	323	3/9
9	M42-312	319	323	3/9
10	M42-313	532	323	3/9
11	M42-314	532	323	3/9
12	M42-406	867	60	4/9
13	M42-504	320	100	4/9
14	M42-505	320	100	4/9
15	M42-506	254	100	4/9
16	M42-907	265	318	6/9
17	M42-908	1815	340	6/9
18	M42-909	1815	553	6/9

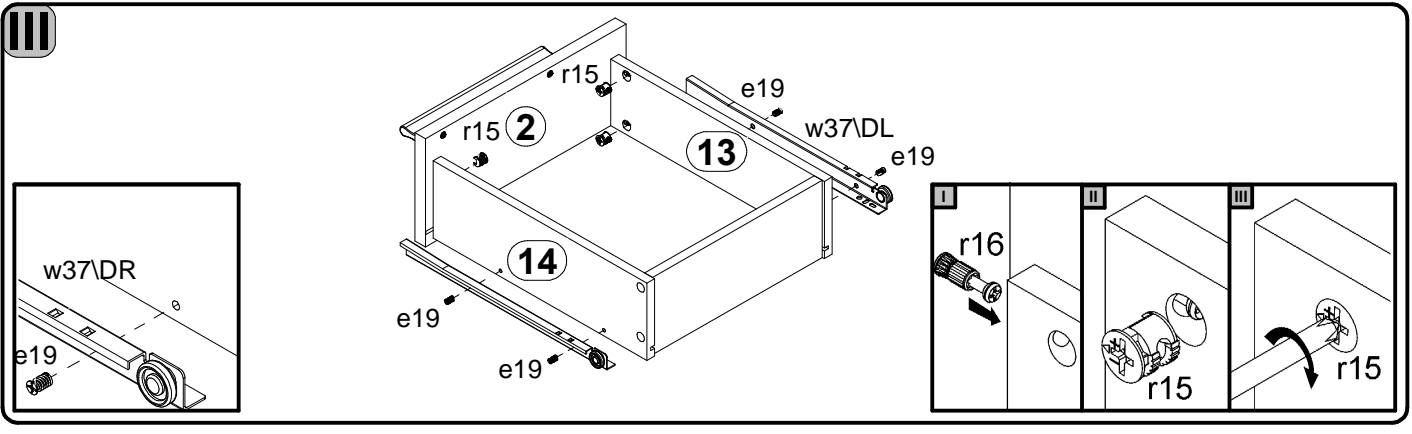
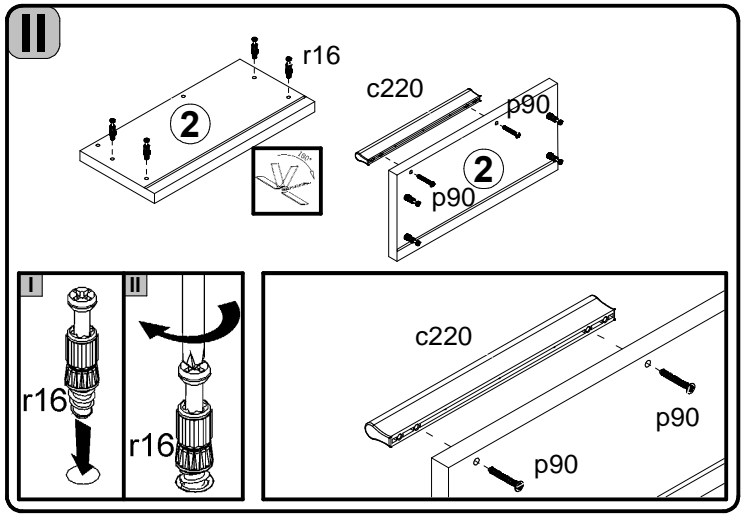
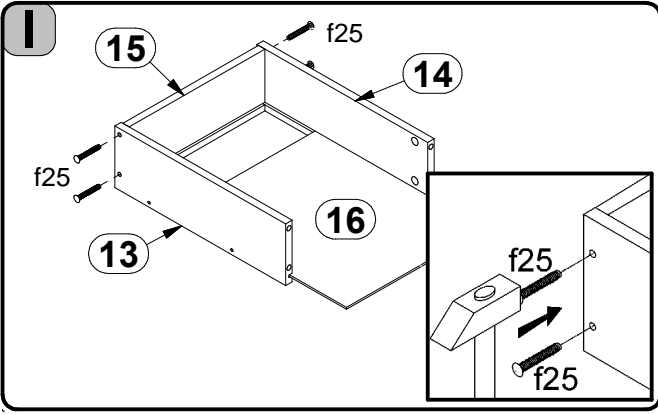


## 16

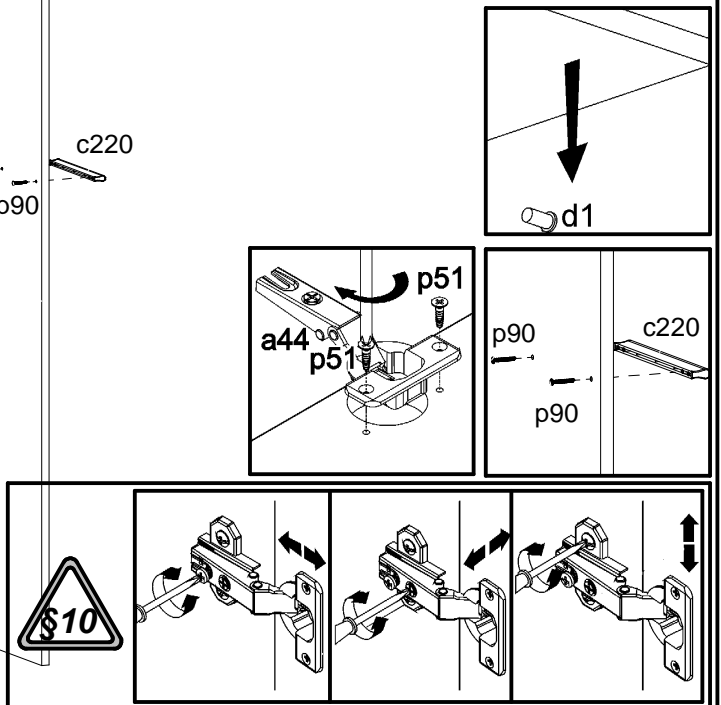
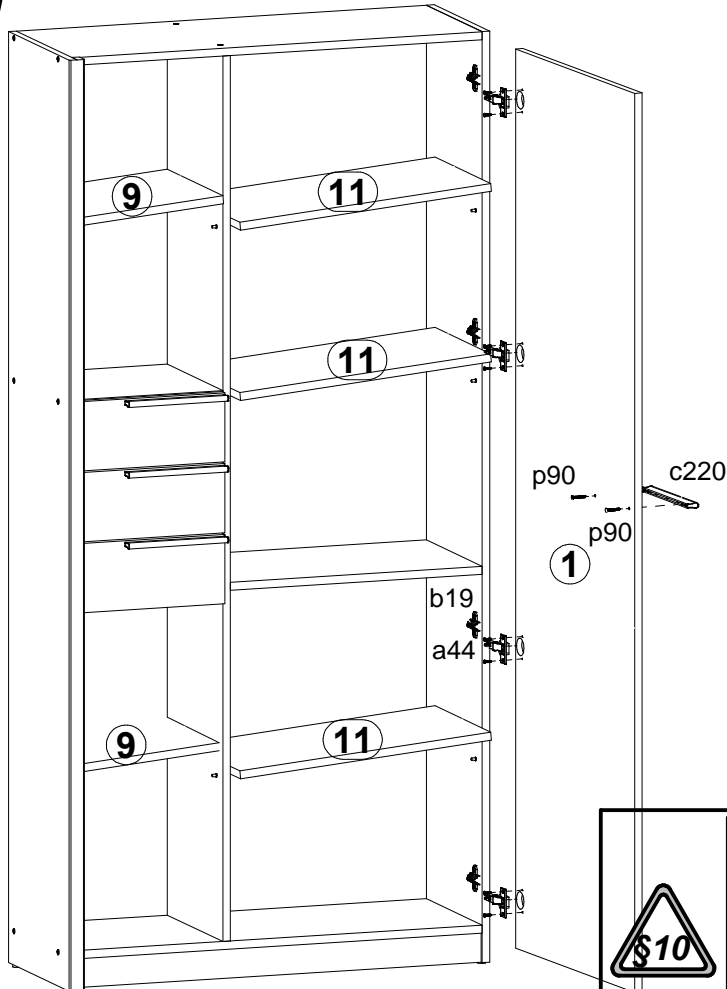




# 20



# 21



22

