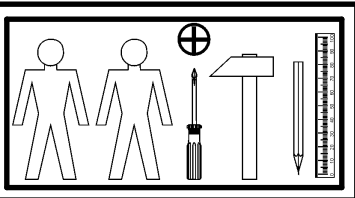
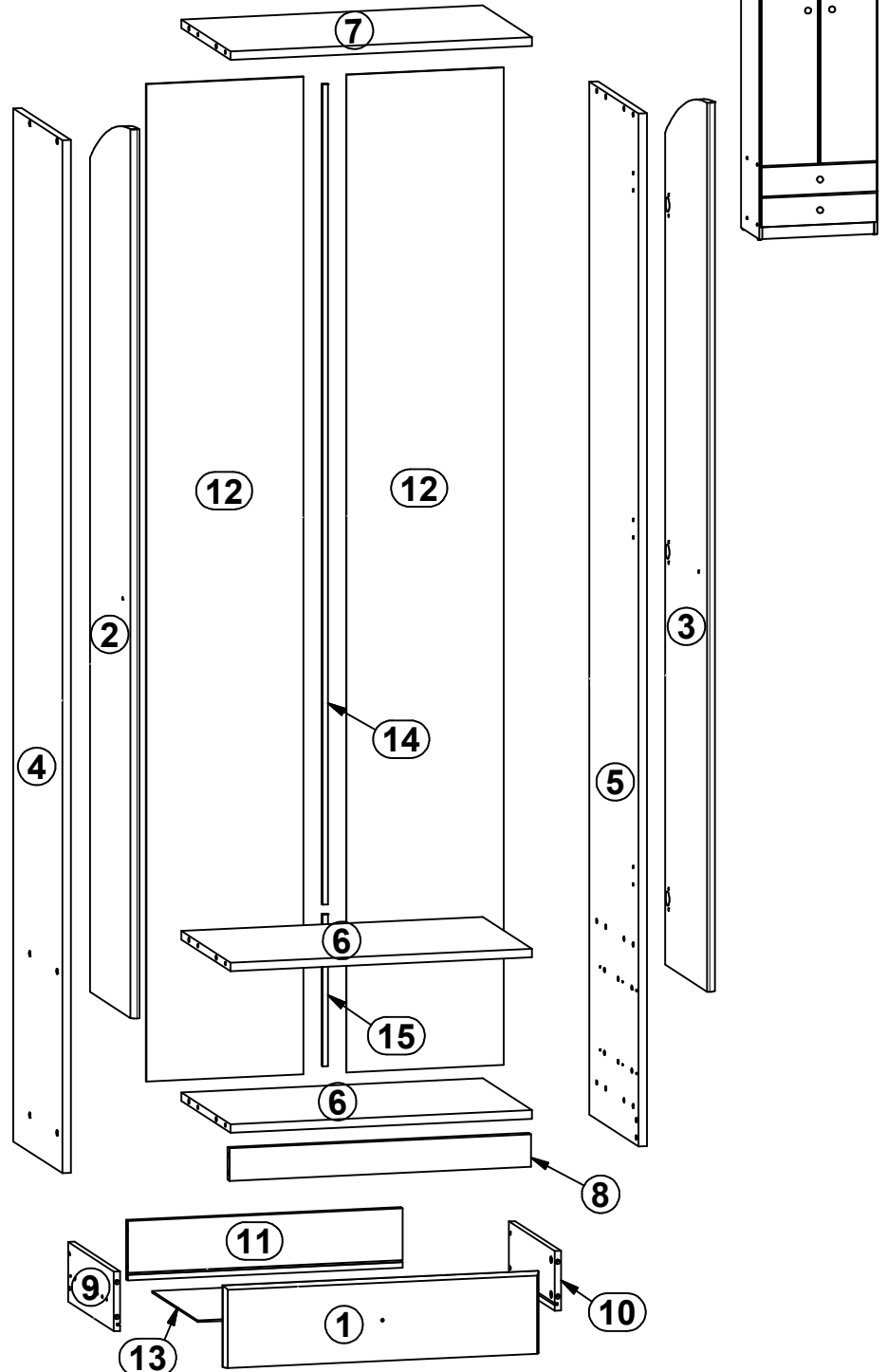


# AGAT

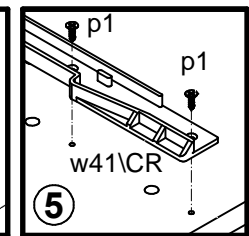
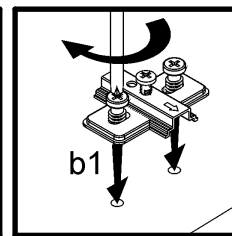
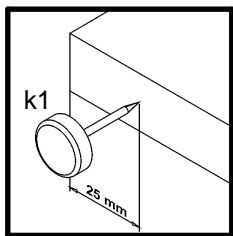
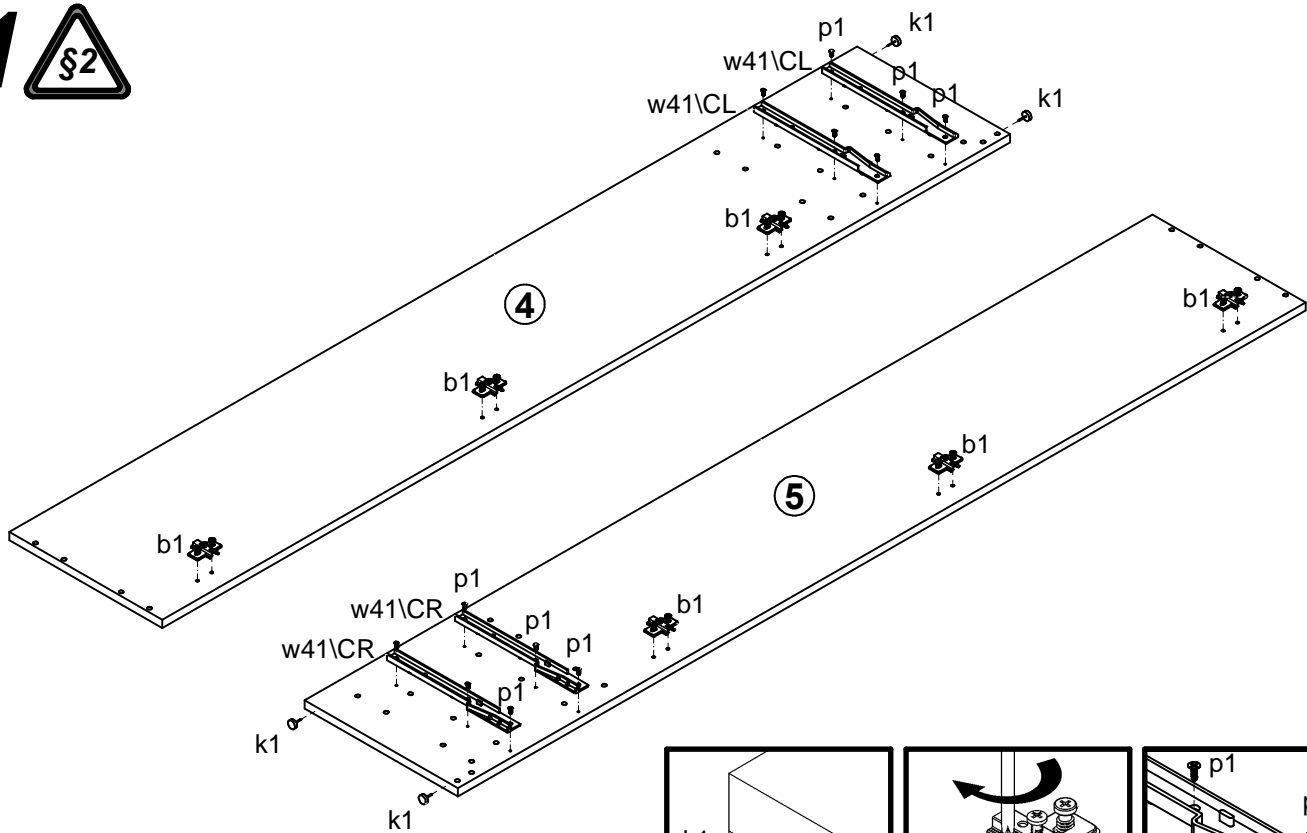
# szafa

A	B	C	D
1	PA1-001	592	150
2	PA1-002	1640	295
3	PA1-003	1640	295
4	PA1-101	1905	344
5	PA1-102	1905	344
6	PA1-301	566	344
7	PA1-302	566	344
8	PA1-401	566	60
9	PA1-501	320	110
10	PA1-502	320	110
11	PA1-503	516	110
12	PA1-901	1840	295
13	PA1-902	527	318
14	LH-1513	1513	12
15	LH-280	280	12

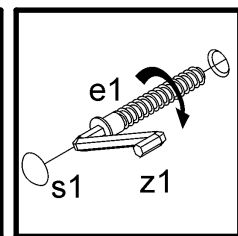
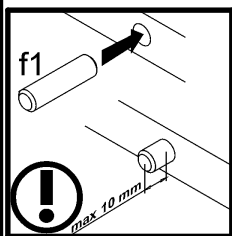
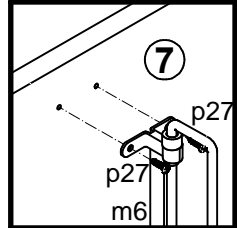
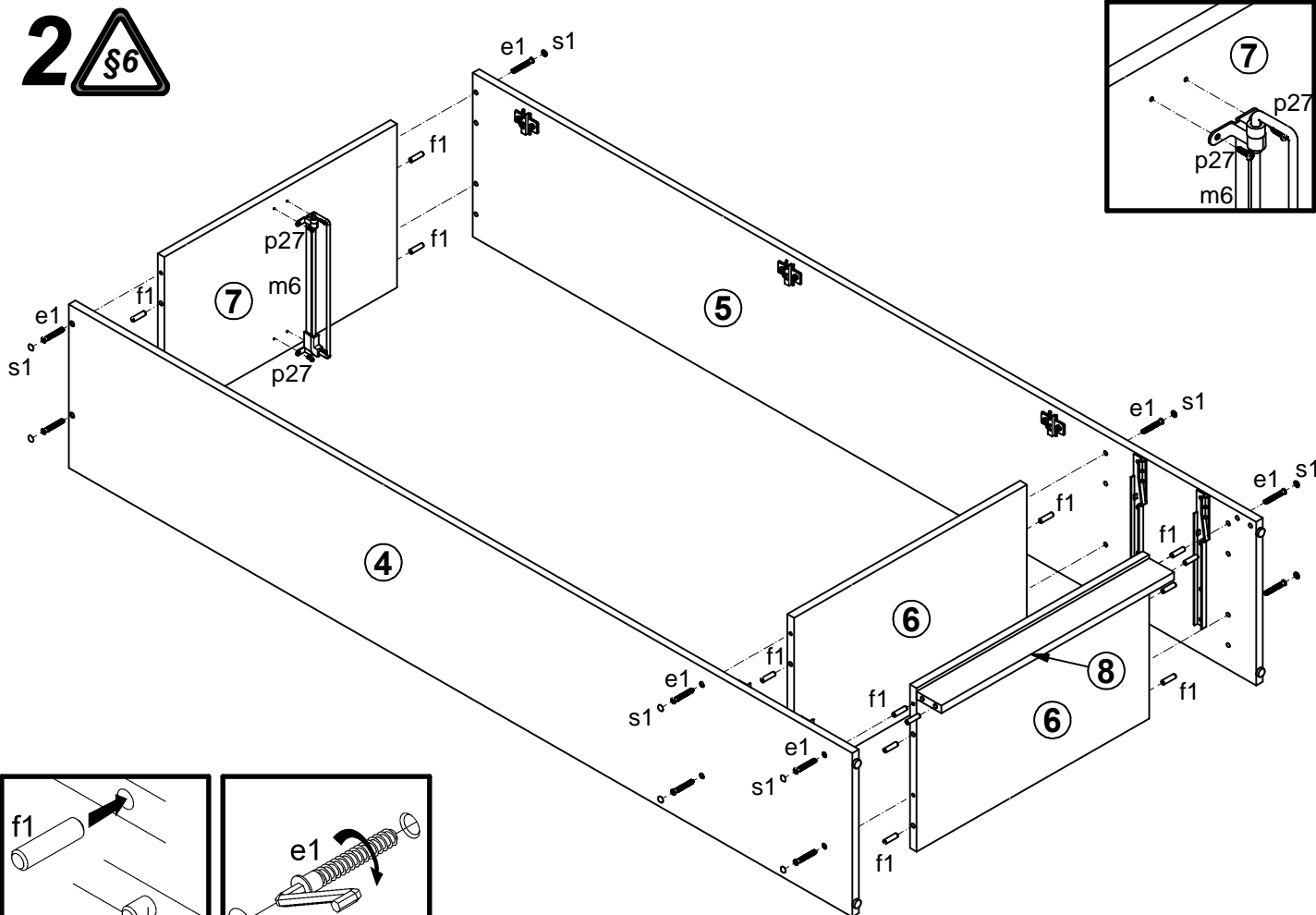


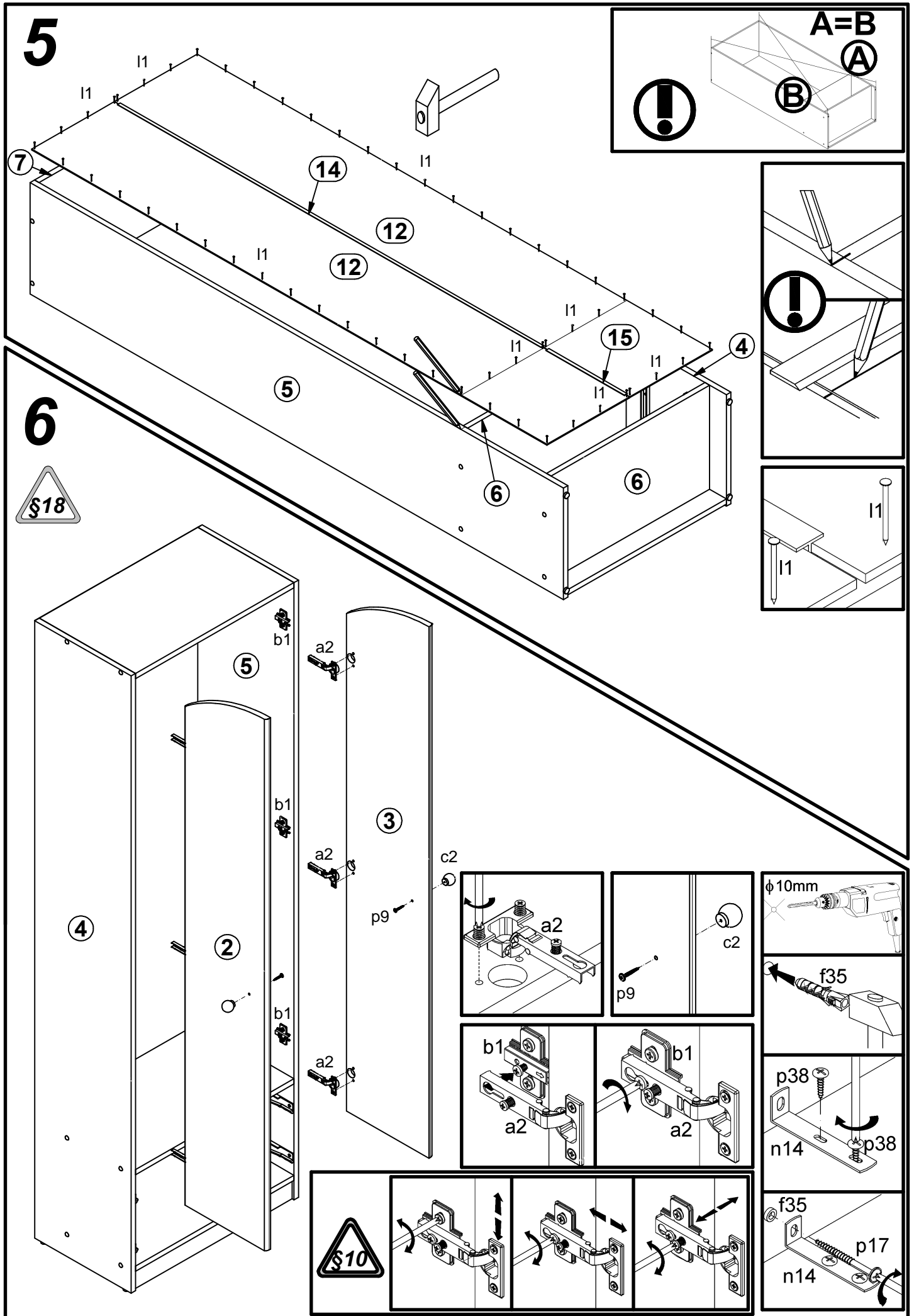
6x a2	6x b1	4x c2	12x e1 φ7x50 mm	16x f1 φ8x30 mm	8x f25 φ6.5x40 mm	2x f35 φ10x50 mm	4x k1	60x l1
1x m6 L-300	2x n14 81x21x151.5mm	28x p1 φ3.5x13 mm	2x p17 φ3.5x60 mm	4x p27 φ3.5x13 mm	4x p38 φ3.5x16 mm	4x p9 φ4x30 mm	8x r15 φ12x10.5mm #12	8x r16
12x s1	2x w41\CL 280 mm	2x w41\CR 280 mm	2x w41\DL 280 mm	2x w41\DR 280 mm	1x z1			

# 1



# 2





# 5

