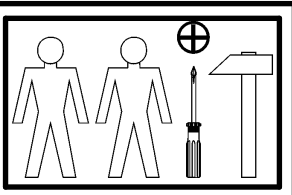
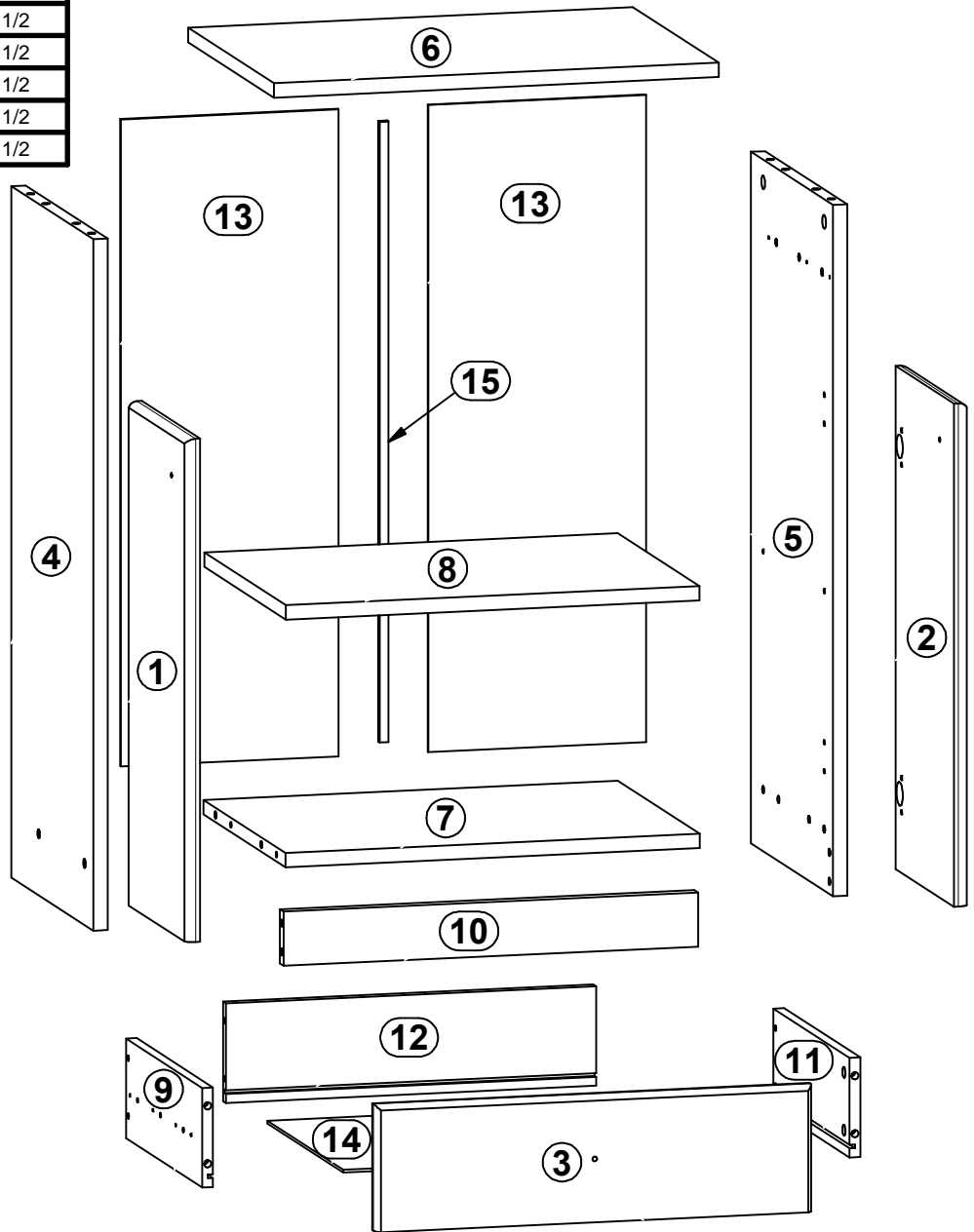
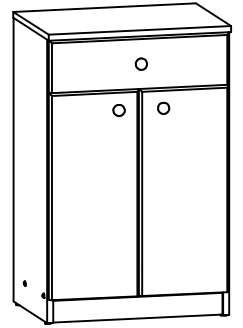


# AGAT

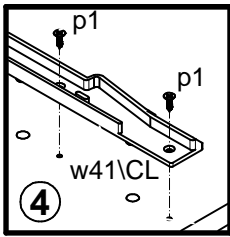
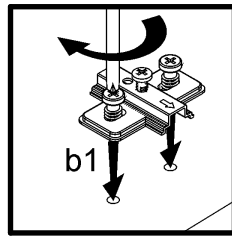
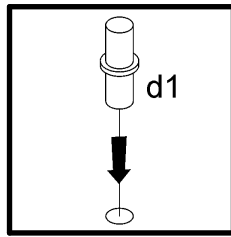
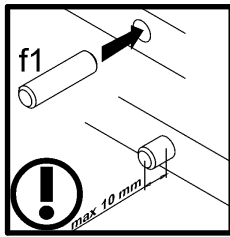
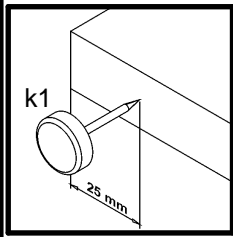
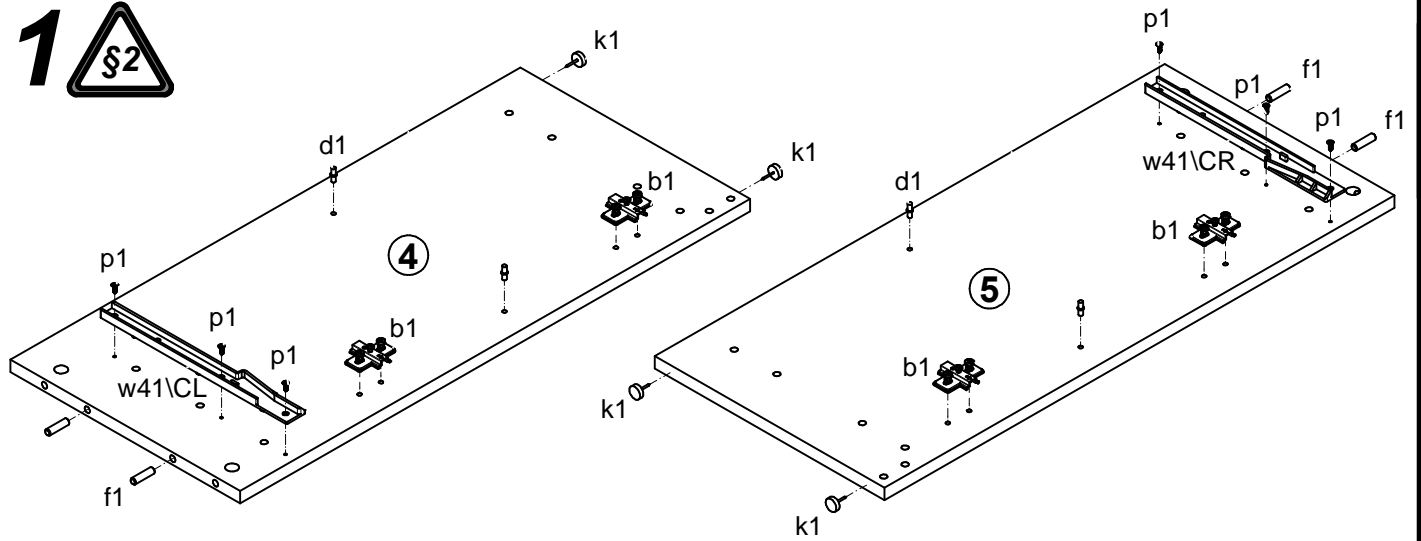
# komoda

A	B	C	D
1	PA1-004	556	245
2	PA1-005	556	245
3	PA1-006	492	140
4	PA1-103	764	344
5	PA1-104	764	344
6	PA1-201	500	360
7	PA1-303	466	344
8	PA1-304	465	343
9	PA1-501	320	110
10	PA1-402	466	60
11	PA1-502	320	110
12	PA1-504	416	110
13	PA1-903	715	245
14	PA1-904	427	318
15	LH-686	686	12

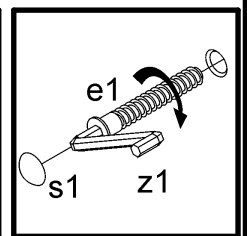
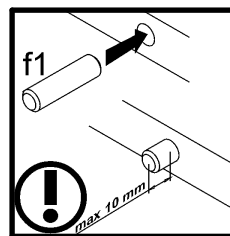
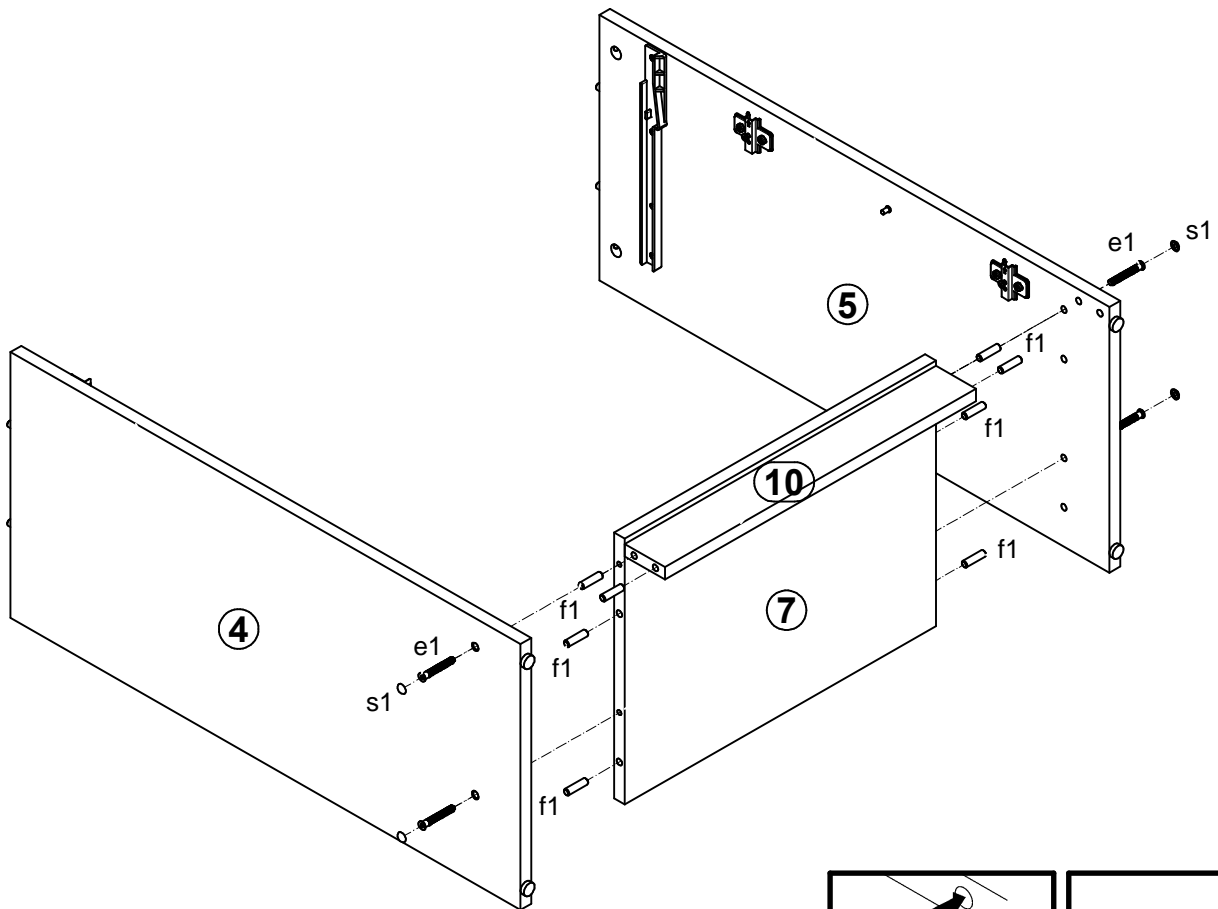


4x  a2	4x  b1	3x  c2	4x  d1 φ5x17 mm	4x  e1 φ7x50 mm	12x  f1 φ8x30 mm	4x  f25 φ6.5x40 mm	4x  k1	25x  l1
14x  p1 φ3.5x13 mm	3x  p9 φ4x30 mm	4x  r1 φ1.5x12mm #16	4x  r15 φ1.2x10.5mm #12	8x  r16	4x  s1 φ16	2x  s2 φ16	1x  w41\DL 280 mm	1x  w41\CR 280 mm
1x  w41\DL 280 mm	1x  w41\DR 280 mm	1x  z1	1x  n26\1	1x  p38 φ3.5x16 mm				

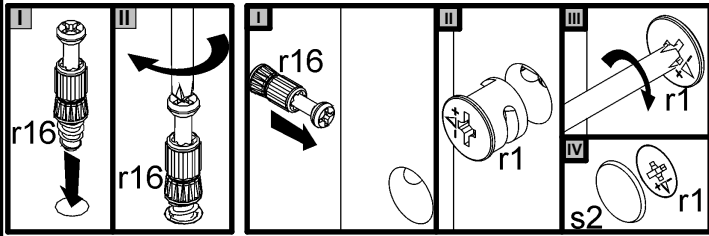
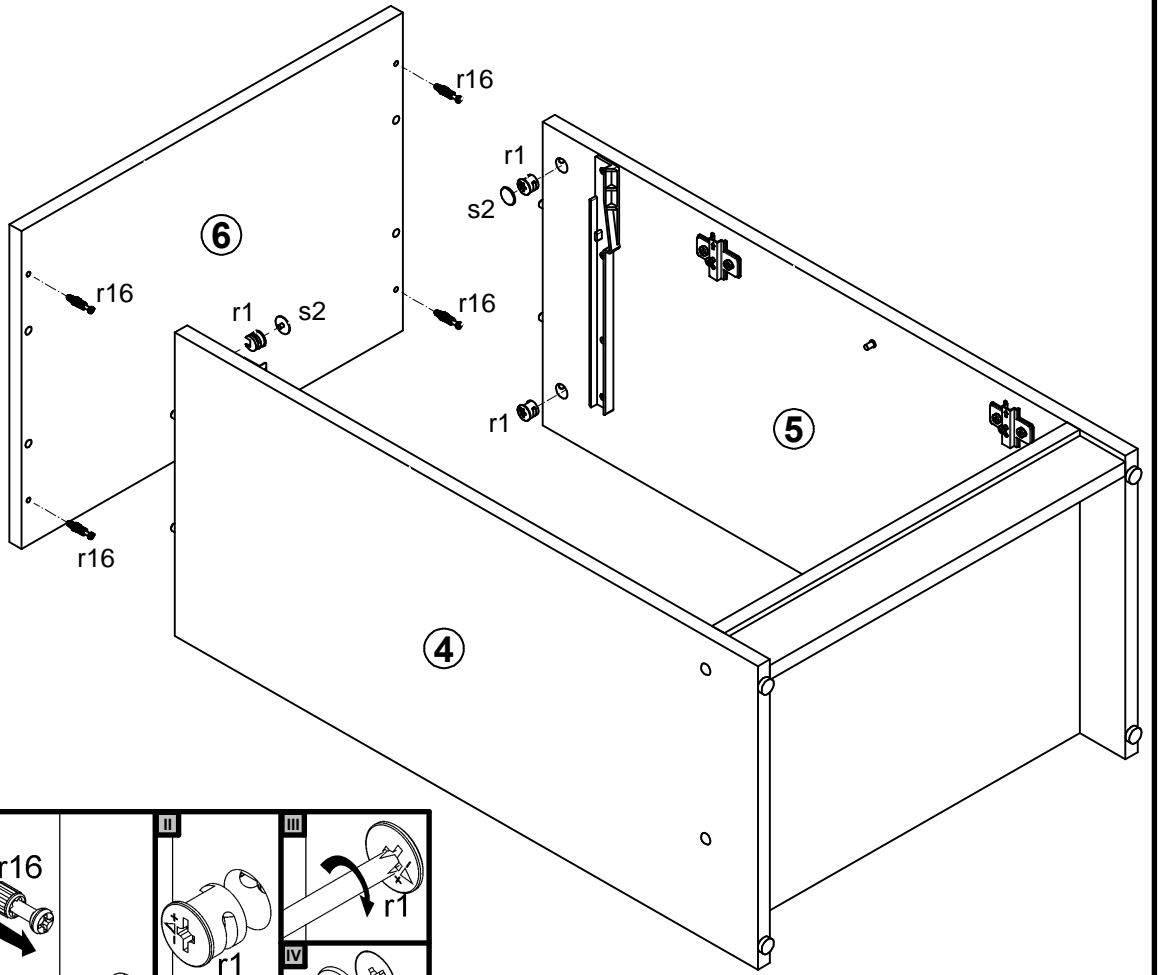
# 1



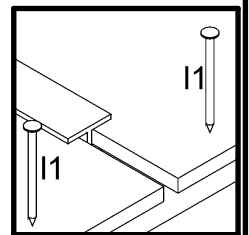
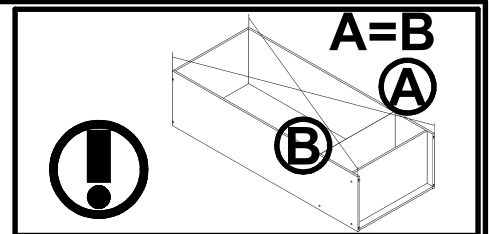
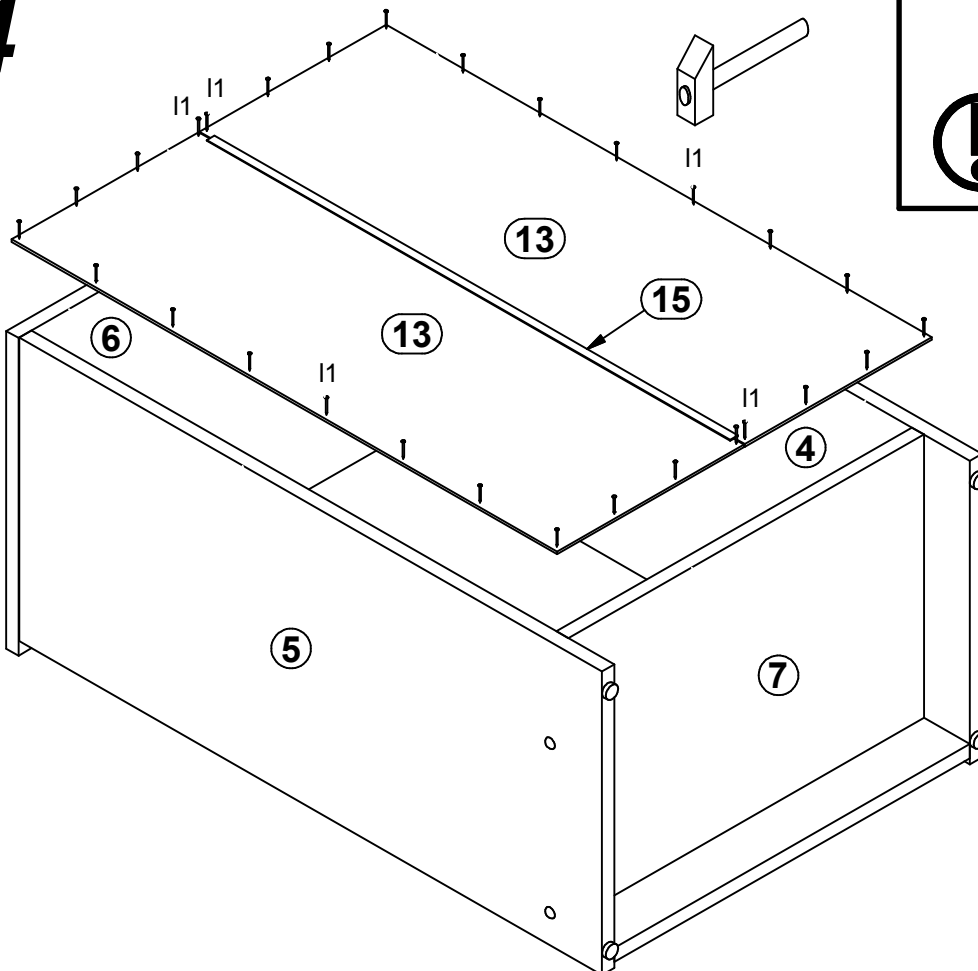
# 2



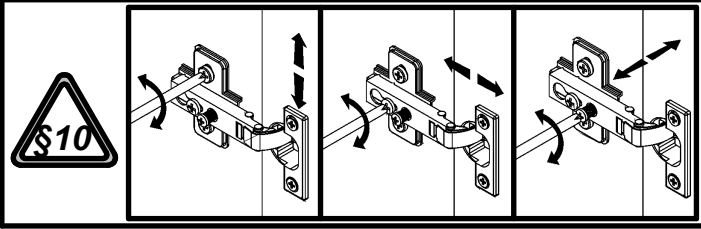
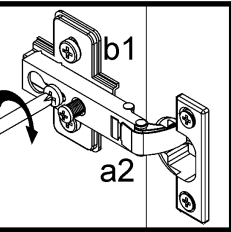
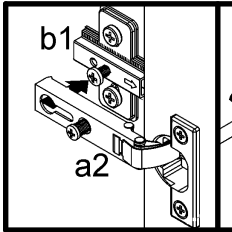
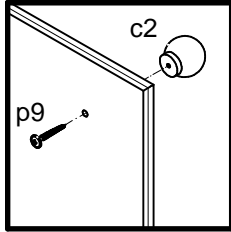
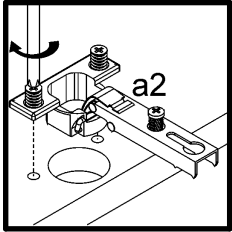
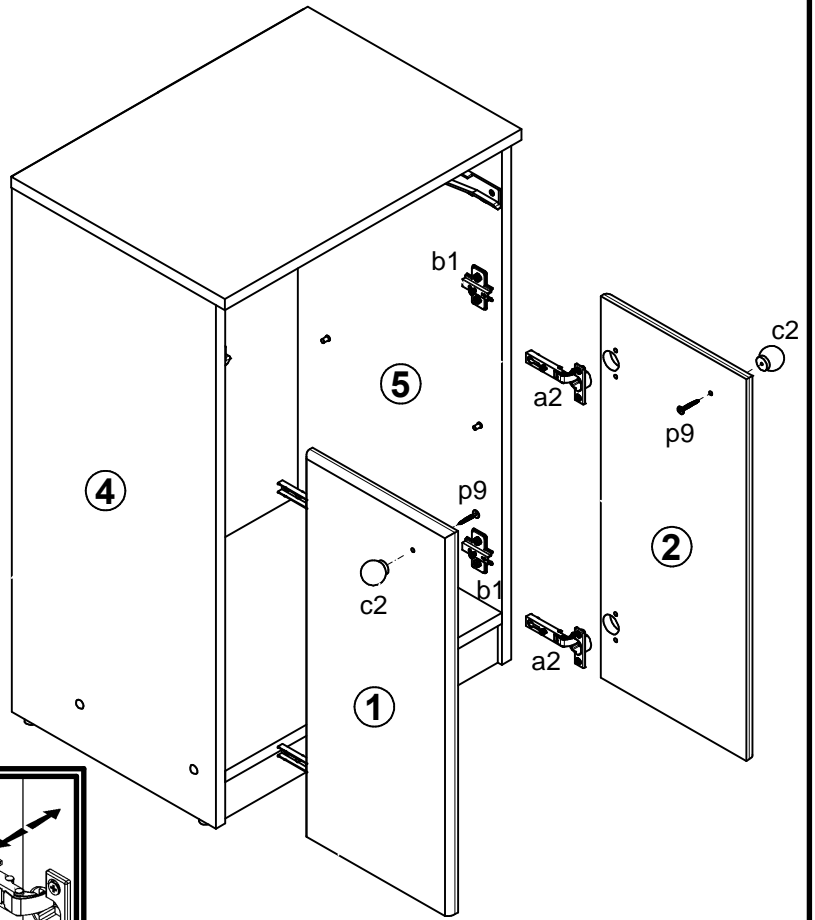
# 3



# 4



# 5



# 6

