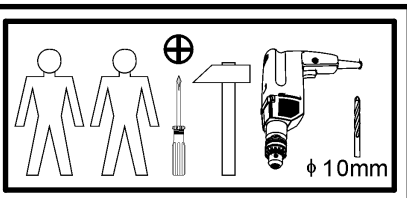
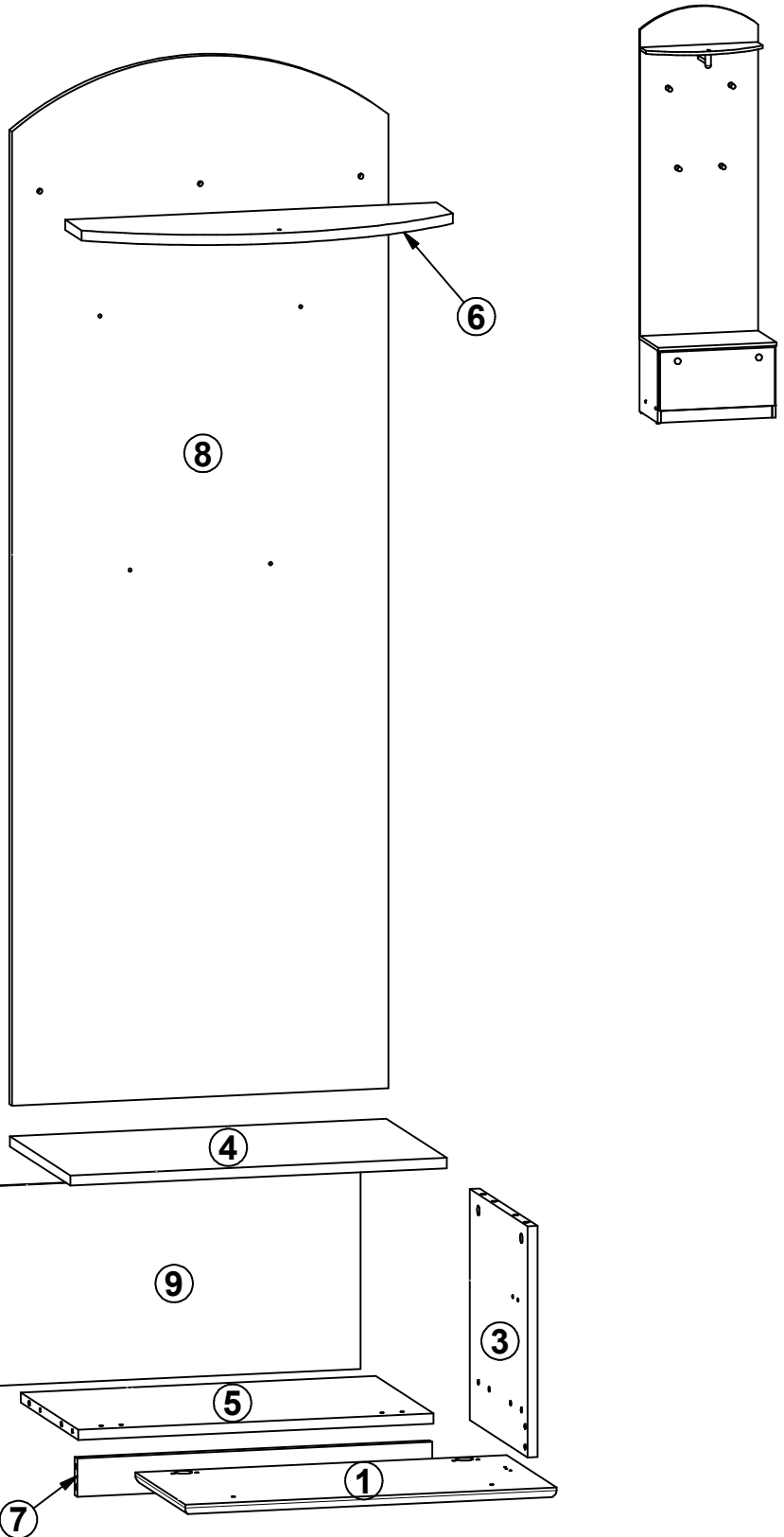
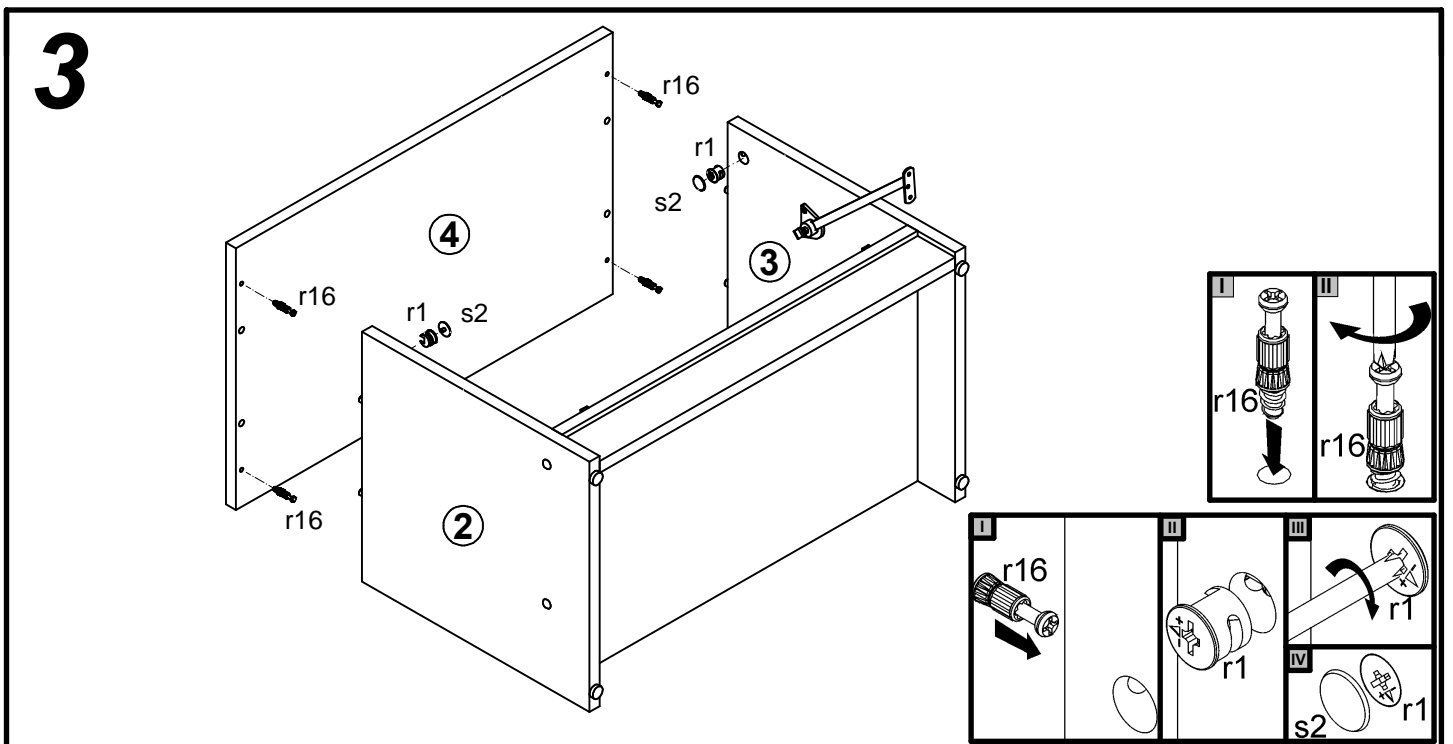
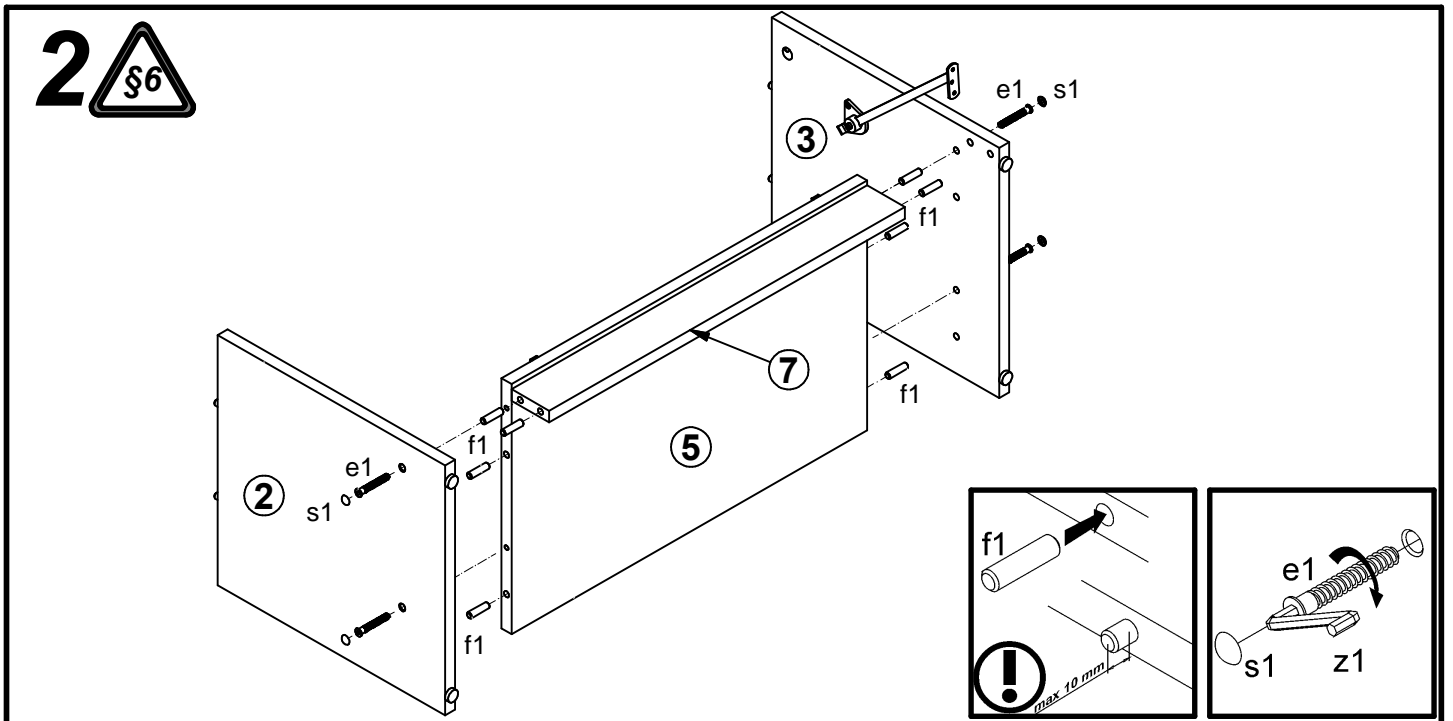
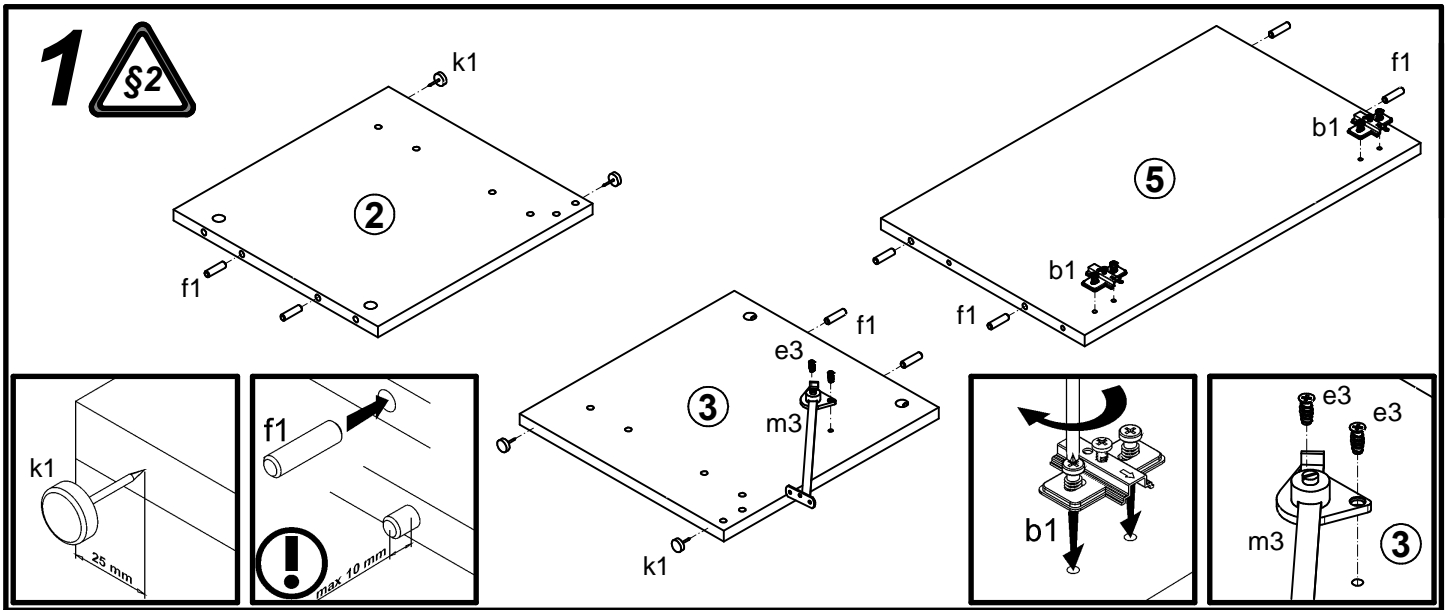
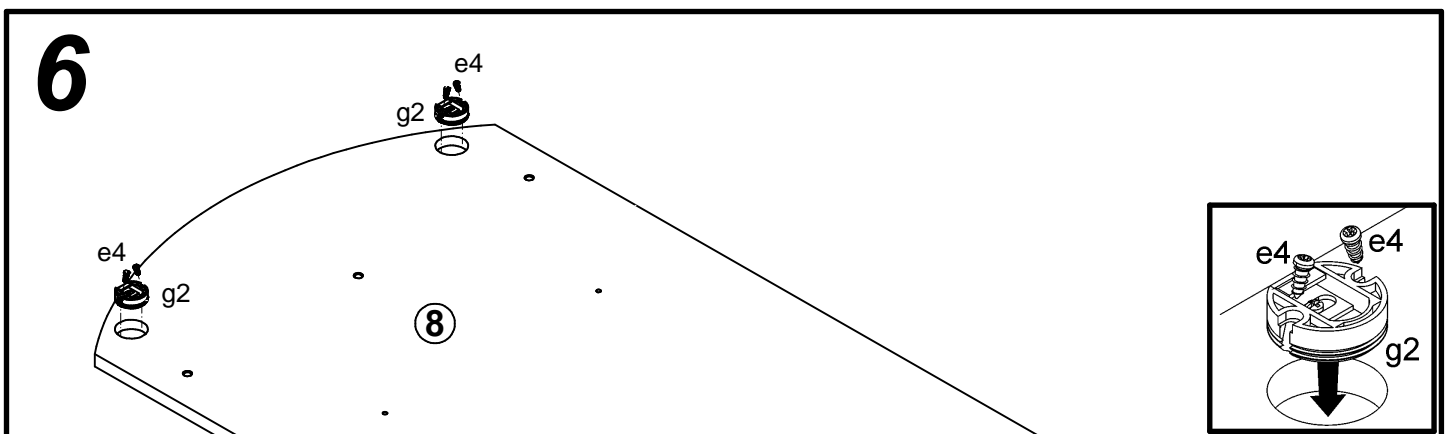
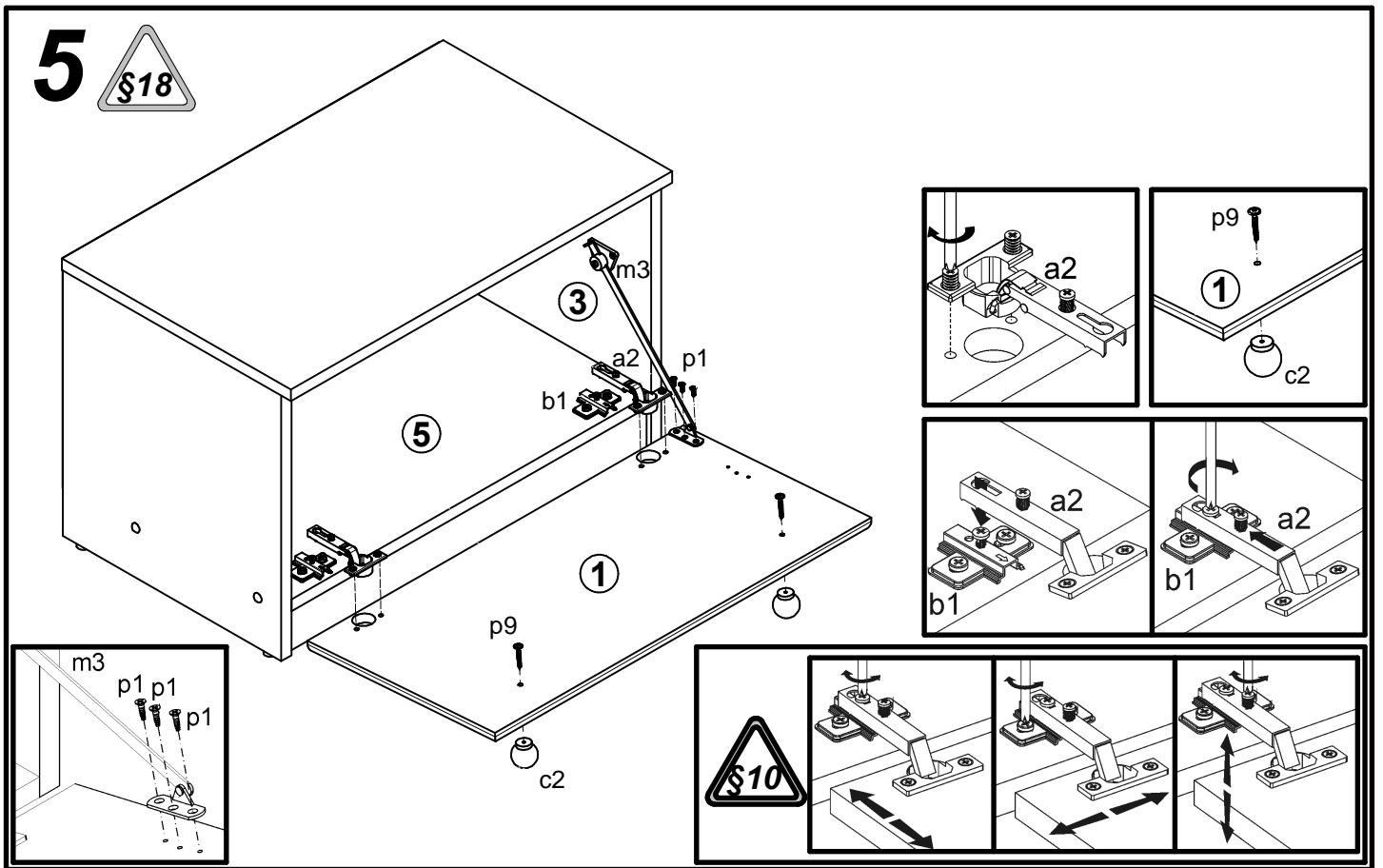
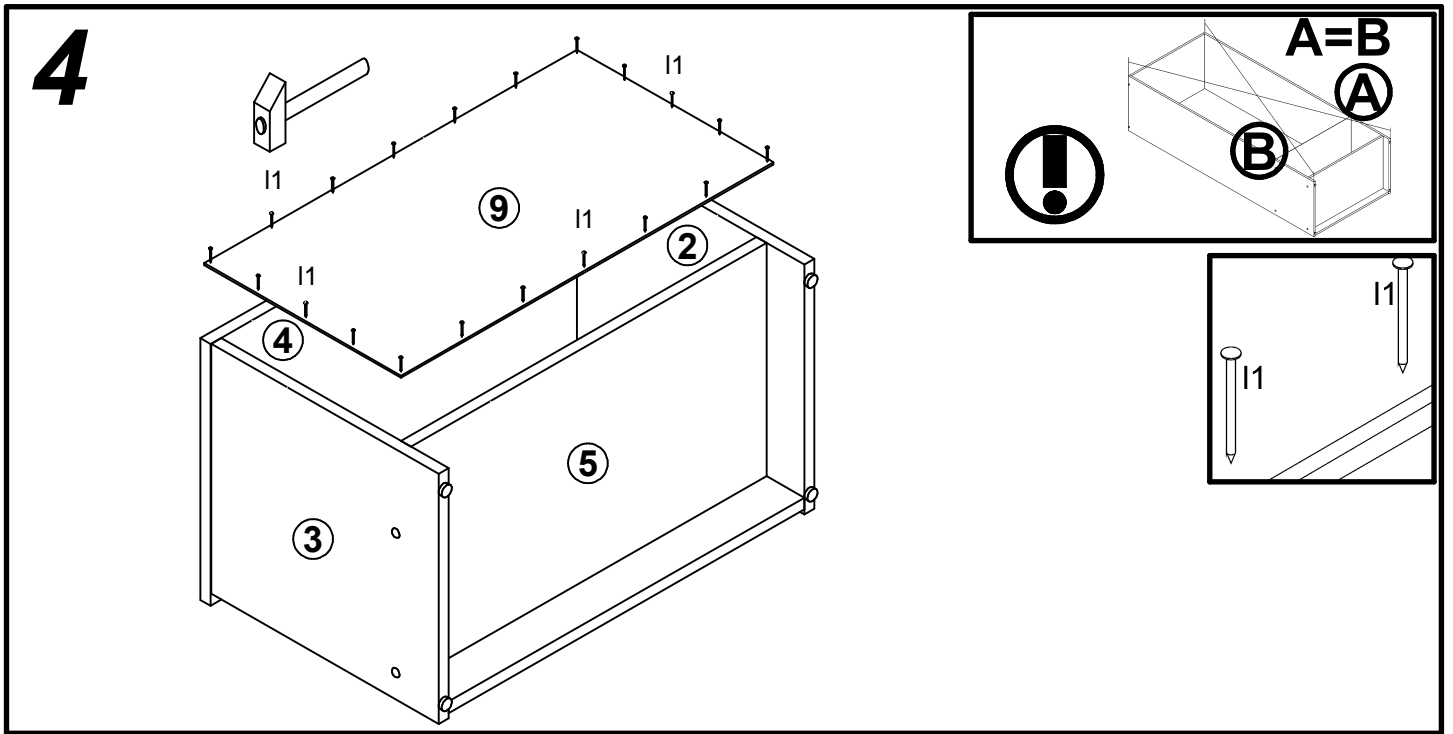


A	B	C	D	
1	PA1-007	592	296	1/2
2	PA1-105	362	344	1/2
3	PA1-106	362	344	1/2
4	PA1-202	600	360	1/2
5	PA1-305	566	344	1/2
6	PA1-306	592	200	1/2
7	PA1-401	566	60	1/2
8	PA1-403	1630	600	2/2
9	PA1-905	313	593	1/2

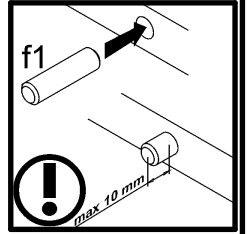
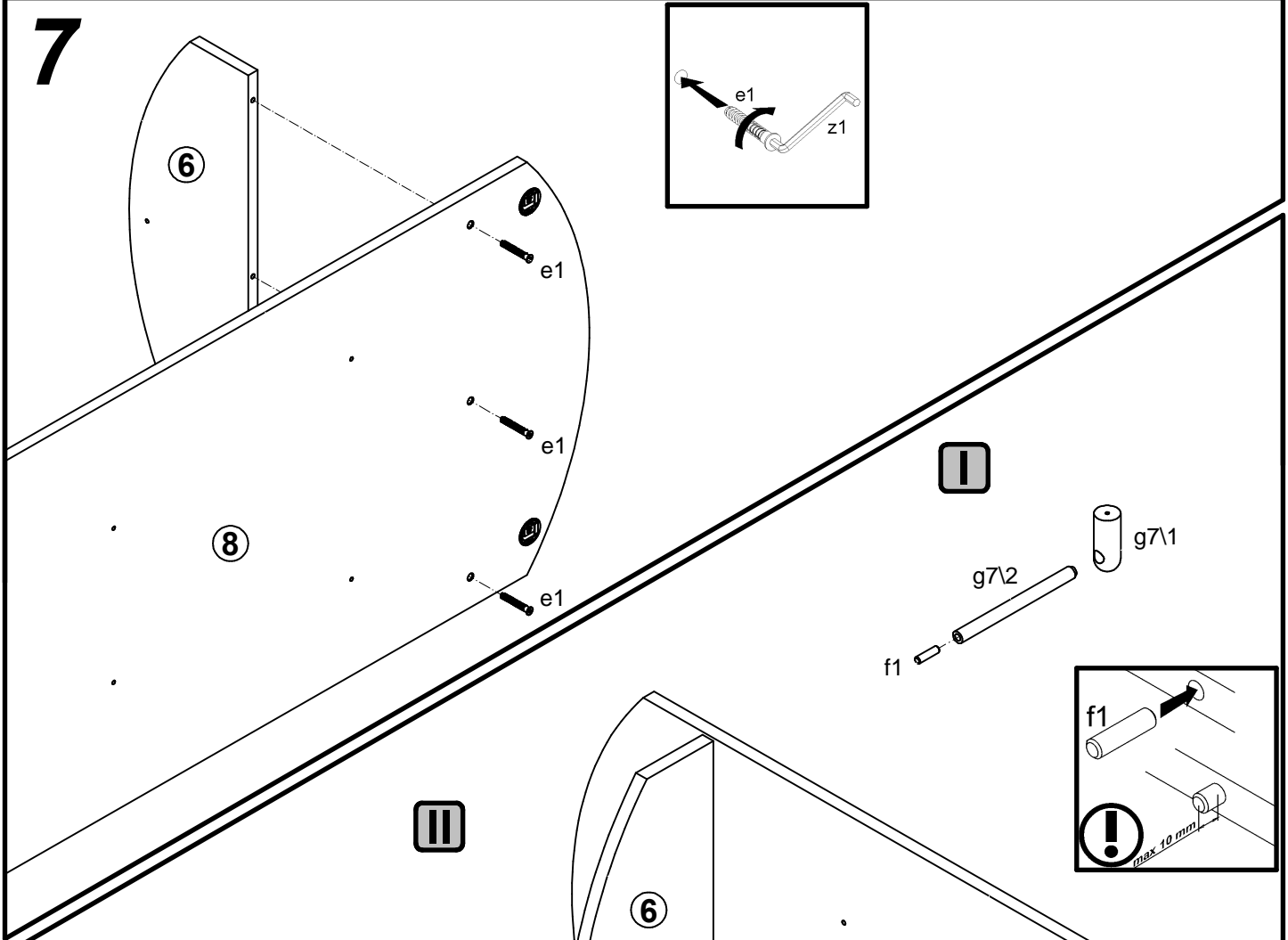
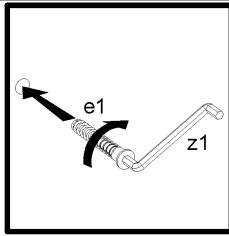


2x a2	2x b1	2x c2	7x e1 φ7x50 mm	2x e3 φ6x13 mm	4x e4 φ5x11 mm	13x f1 φ8x30 mm	2x f35 φ10x50 mm	2x g2
4x g6	1x g7¹	1x g7²	4x k1	20x l1	1x m3 L-236	3x p1 φ3,5x13 mm	2x p17 φ5x60 mm	7x p9 φ4x30 mm
4x r1 φ15x12mm #16	4x r16	4x s1	4x s2 ø16	1x z1	1x n26/1	1x p38 φ3,5x16 mm		

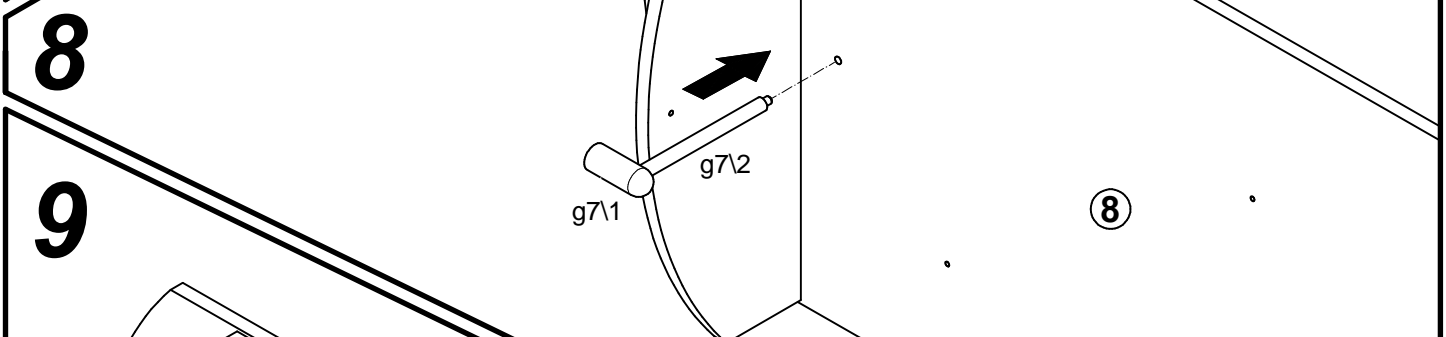




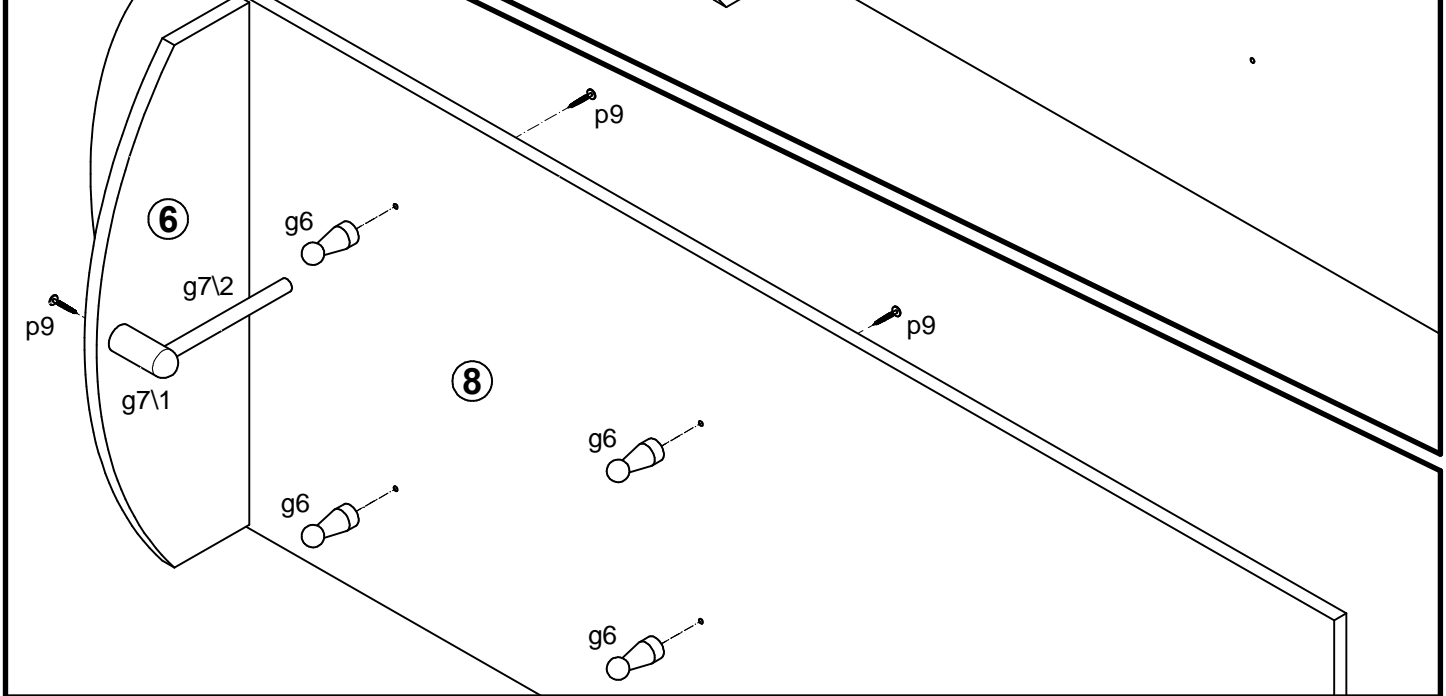
7



8



9



10

