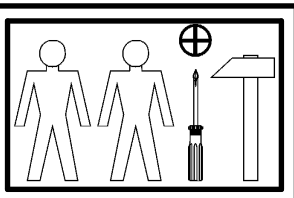
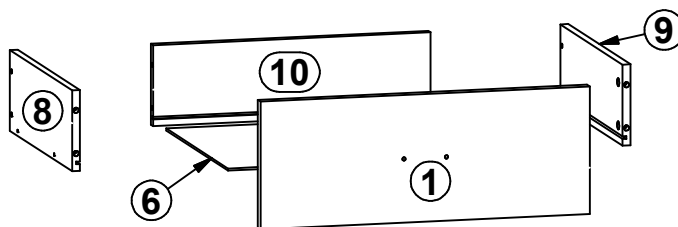
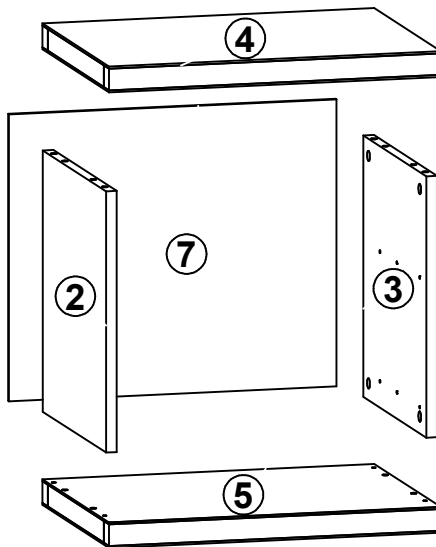
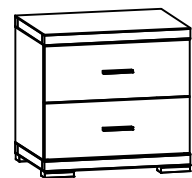


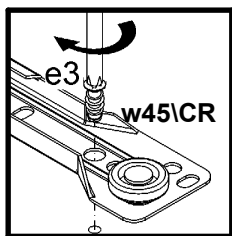
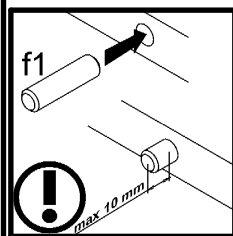
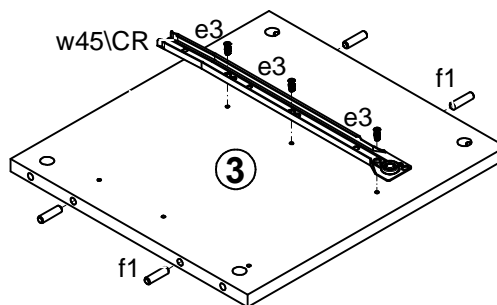
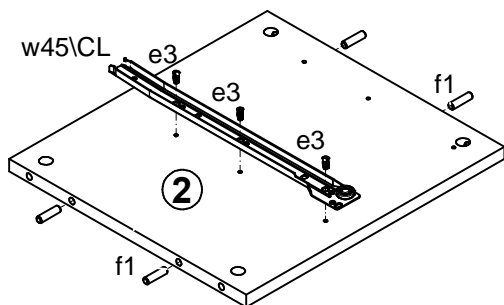
AFFI

S75-KOM2S/50

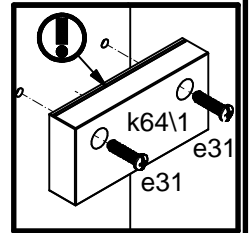
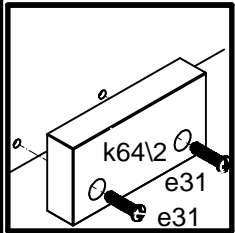
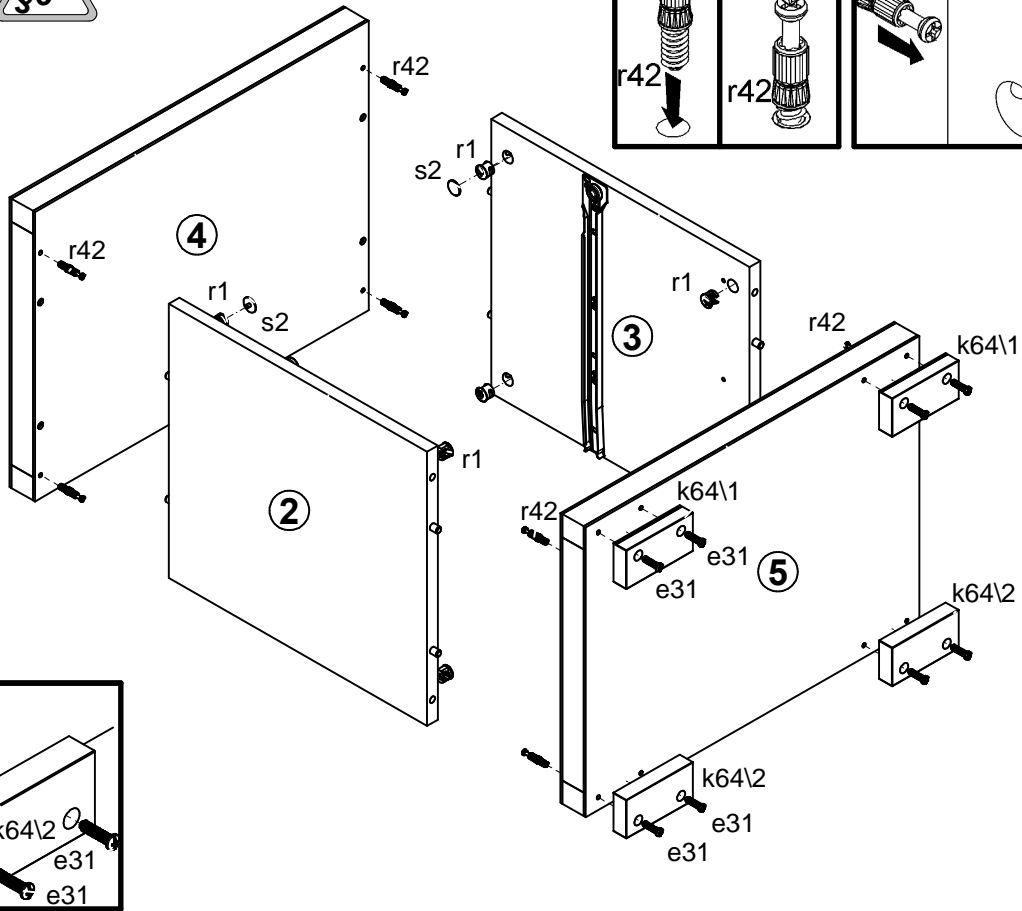
A	B	C	D
1	S75-011	496	189 2/2
2	S75-117	387	355 1/2
3	S75-118	387	355 1/2
4	S75-214	500	375 1/2
5	S75-215	500	375 1/2
6	S75-913	429	348 1/2
7	S75-914	425	494 1/2
8	ZS1-529	350	120 1/2
9	ZS1-530	350	120 1/2
10	ZS1-6524	418	120 1/2



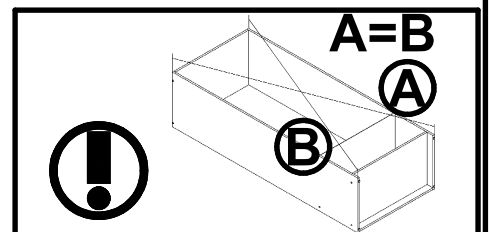
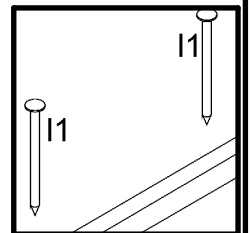
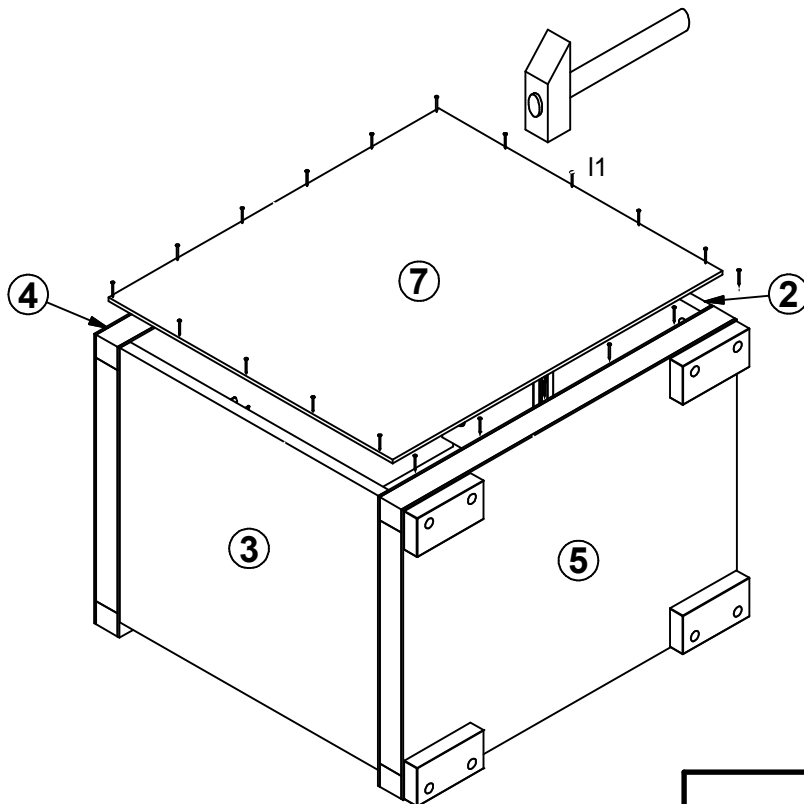
2x 6mm c238	8x φ5x9 mm e19	12x φ6x13 mm e3	8x φ6x22 mm e31	8x φ8x30 mm f1	8x φ6.5x40 mm f25	2x k64\1	2x k64\2	20x l1
4x φ4x22 mm p60	8x φ1.5x12mm #16 r1	8x φ12x10.5mm #12 r15	16x r42	2x ø16 s2	2x 350 mm w45\CL	2x 350 mm w45\CR	2x 350 mm w45\DL	2x 350 mm w45\DR
1x n26\1	1x φ3.5x16 mm p38							



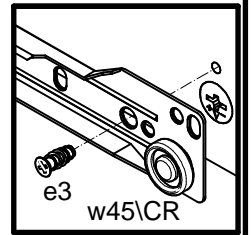
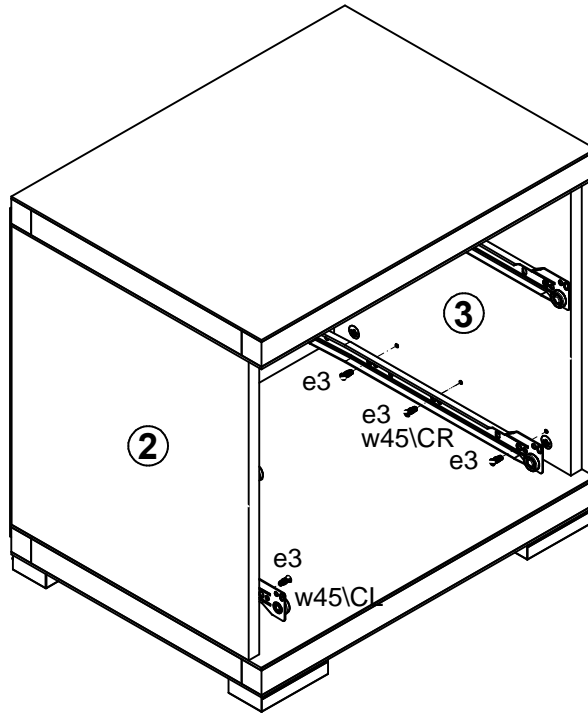
2



3



4



5

