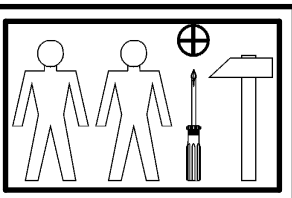
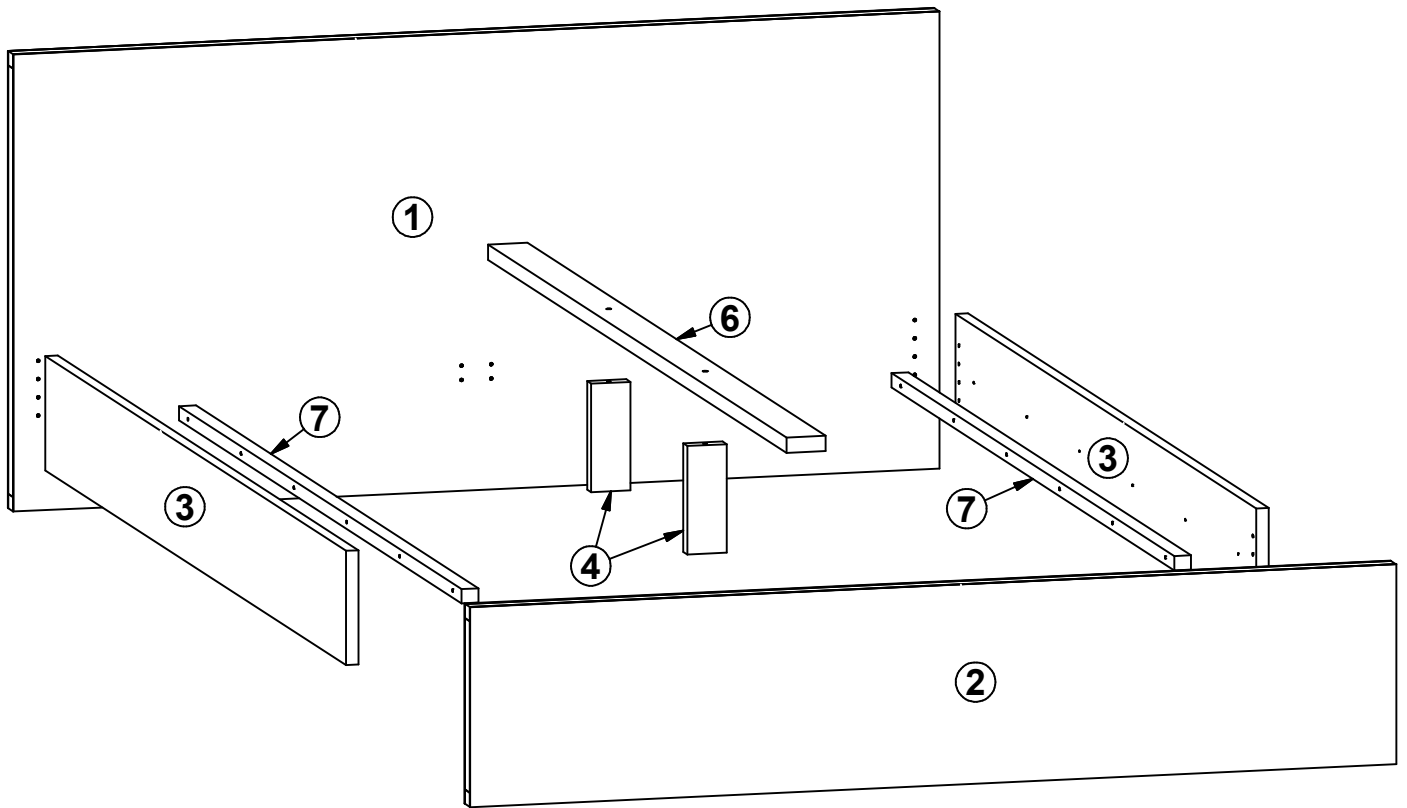
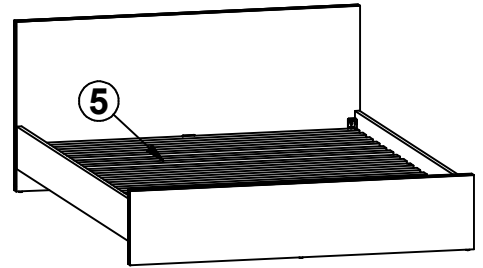


# AFFI

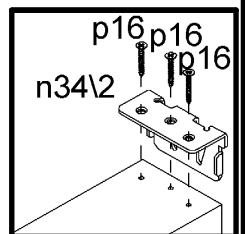
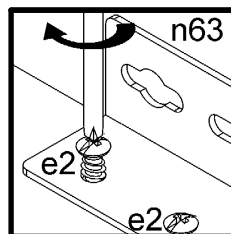
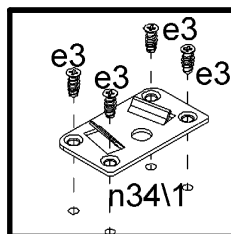
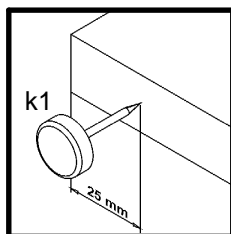
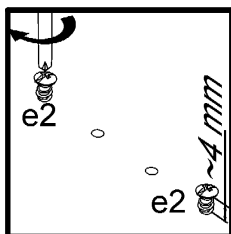
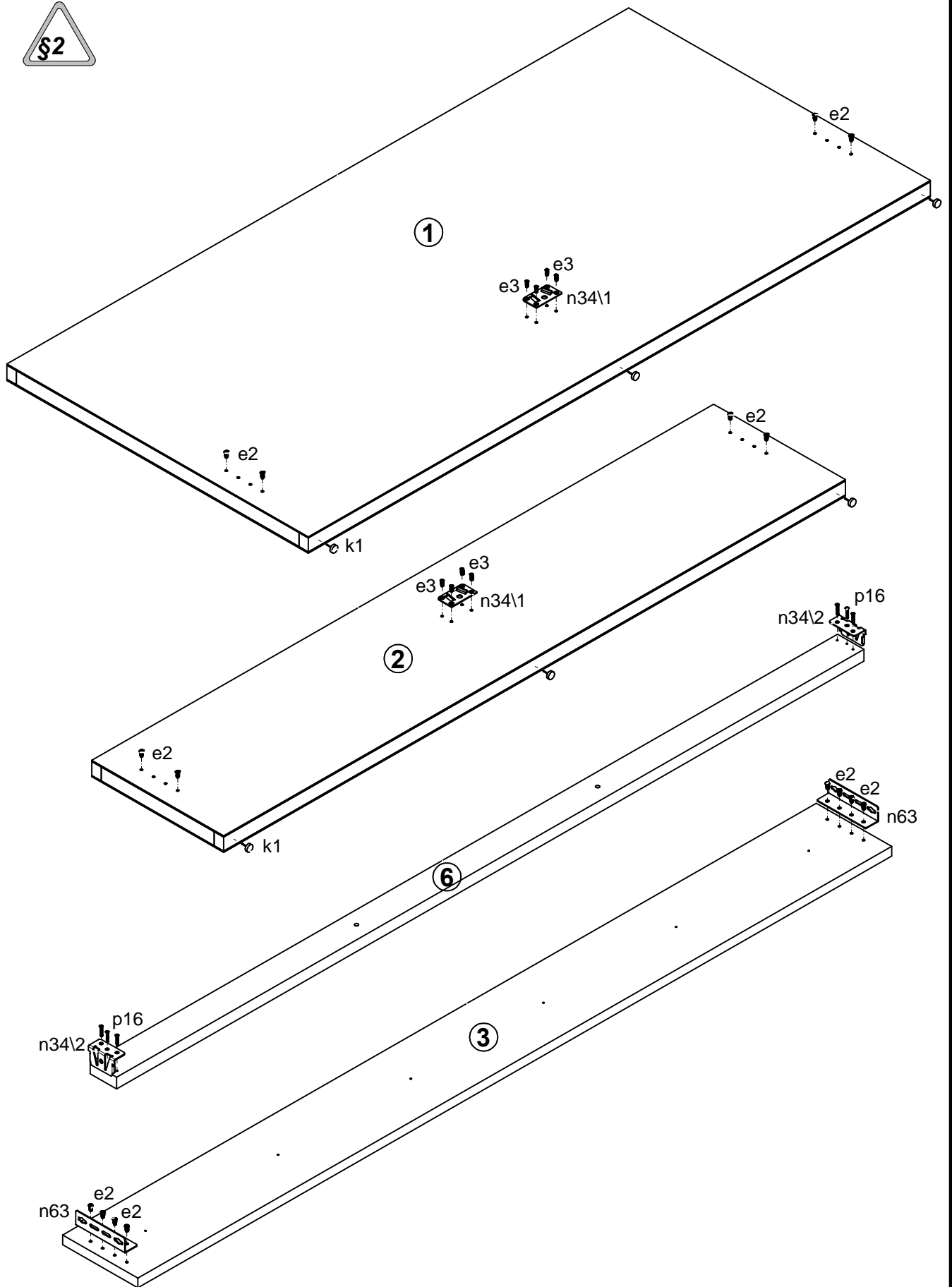
# S75-LOZ/160

A	B	C	D	
1	S75-403	1650	800	1/3
2	S75-404	1650	350	2/3
3	S75-405	2000	200	3/3
4	ZZ1-411	190	70	3/3
5	ZZ1-501	1872	1578	1/1
6	ZZ1-719	1983	70	3/3
7	ZZ1-720	1880	25	3/3

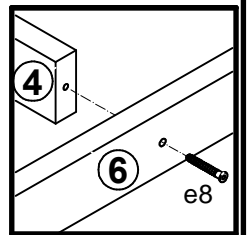
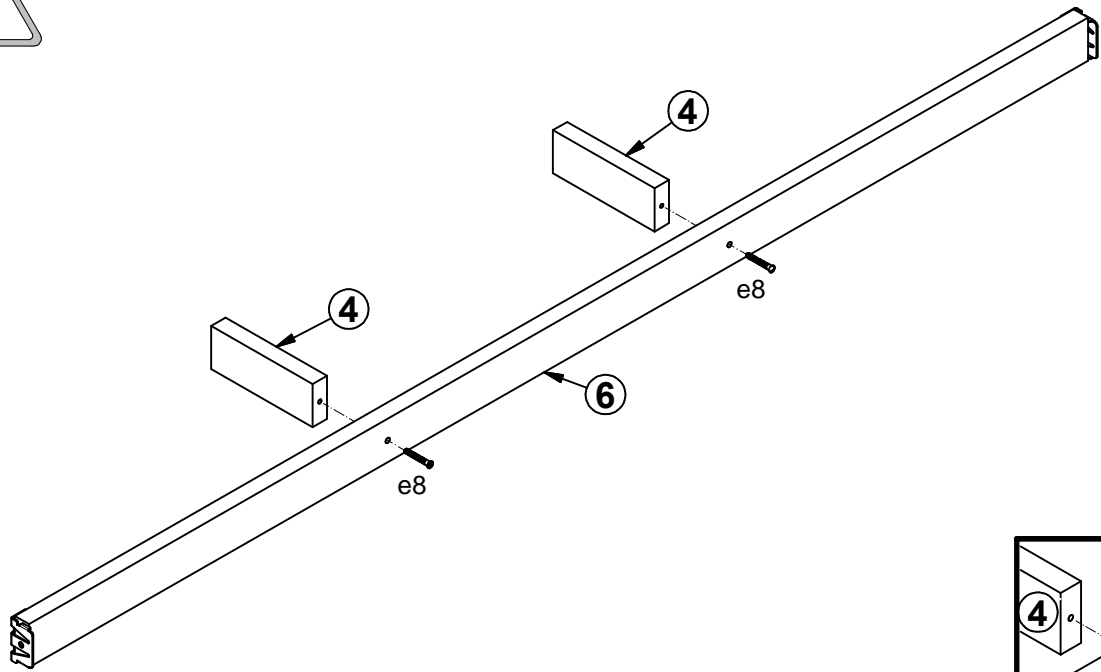


32x φ6,3x13 mm e2	8x φ6x13 mm e3	2x φ7x60 mm e8	6x k1	2x n34\1	2x n34\2	4x 130x34x34\2mm n63	12x φ4x45 mm p11	6x φ3,5x25 mm p16
6x φ4x35 mm p6	1x z1							

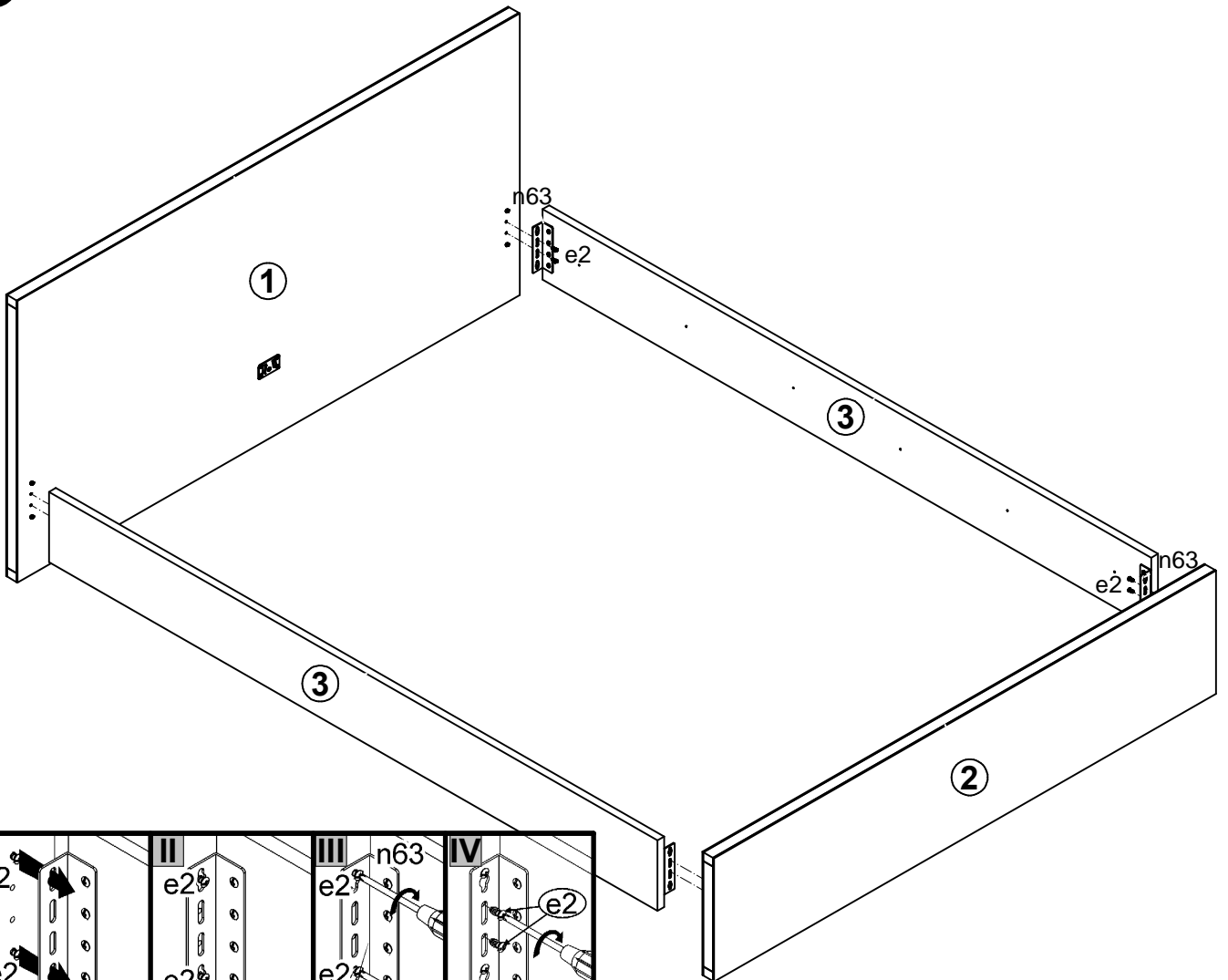
# 1



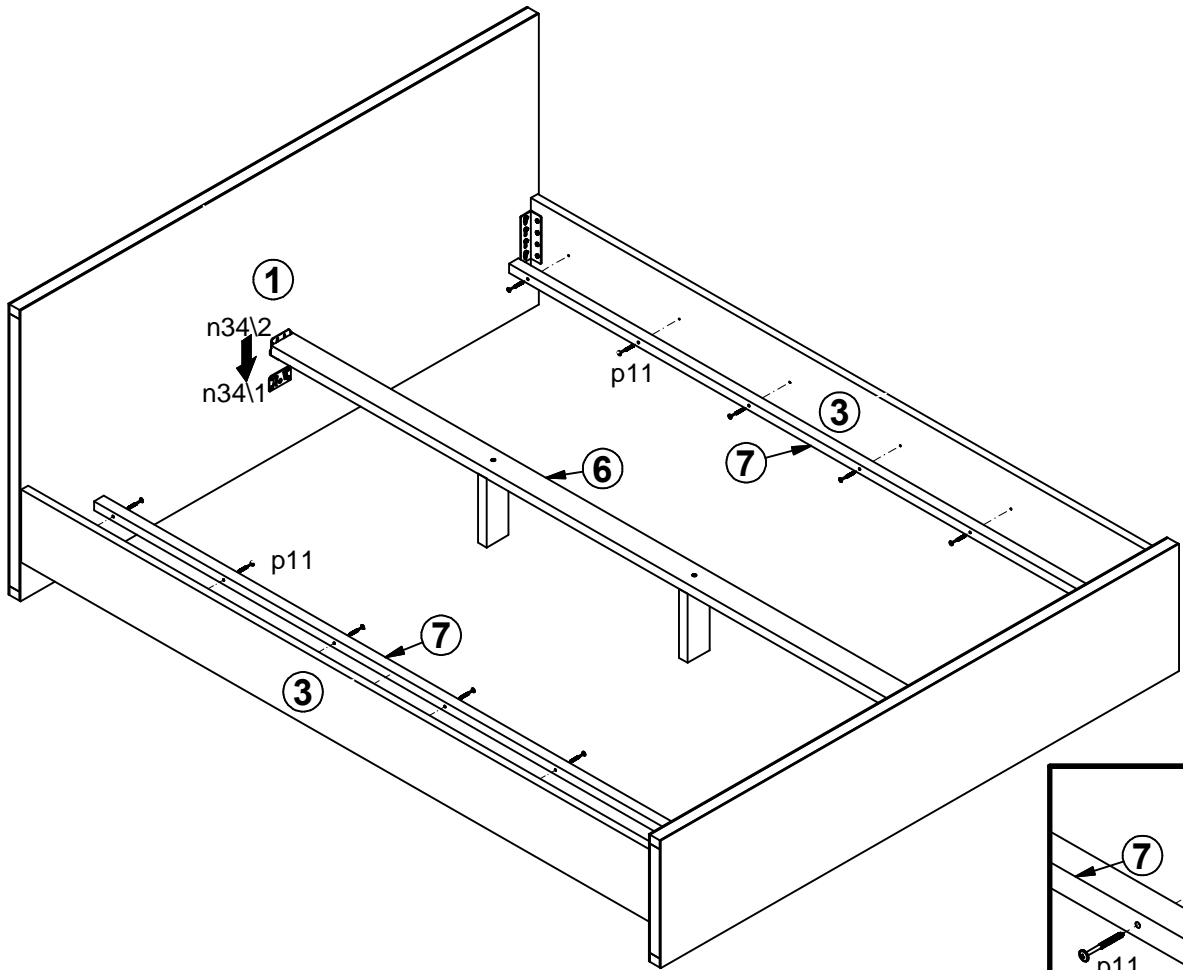
# 2



# 3



# 4



# 5

