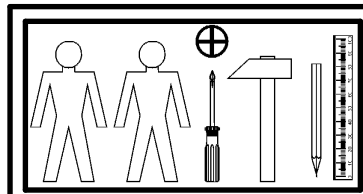
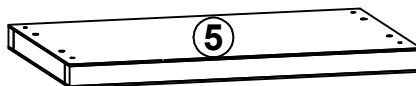
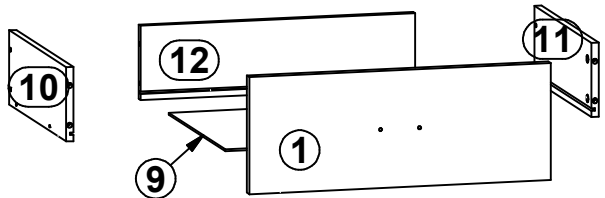
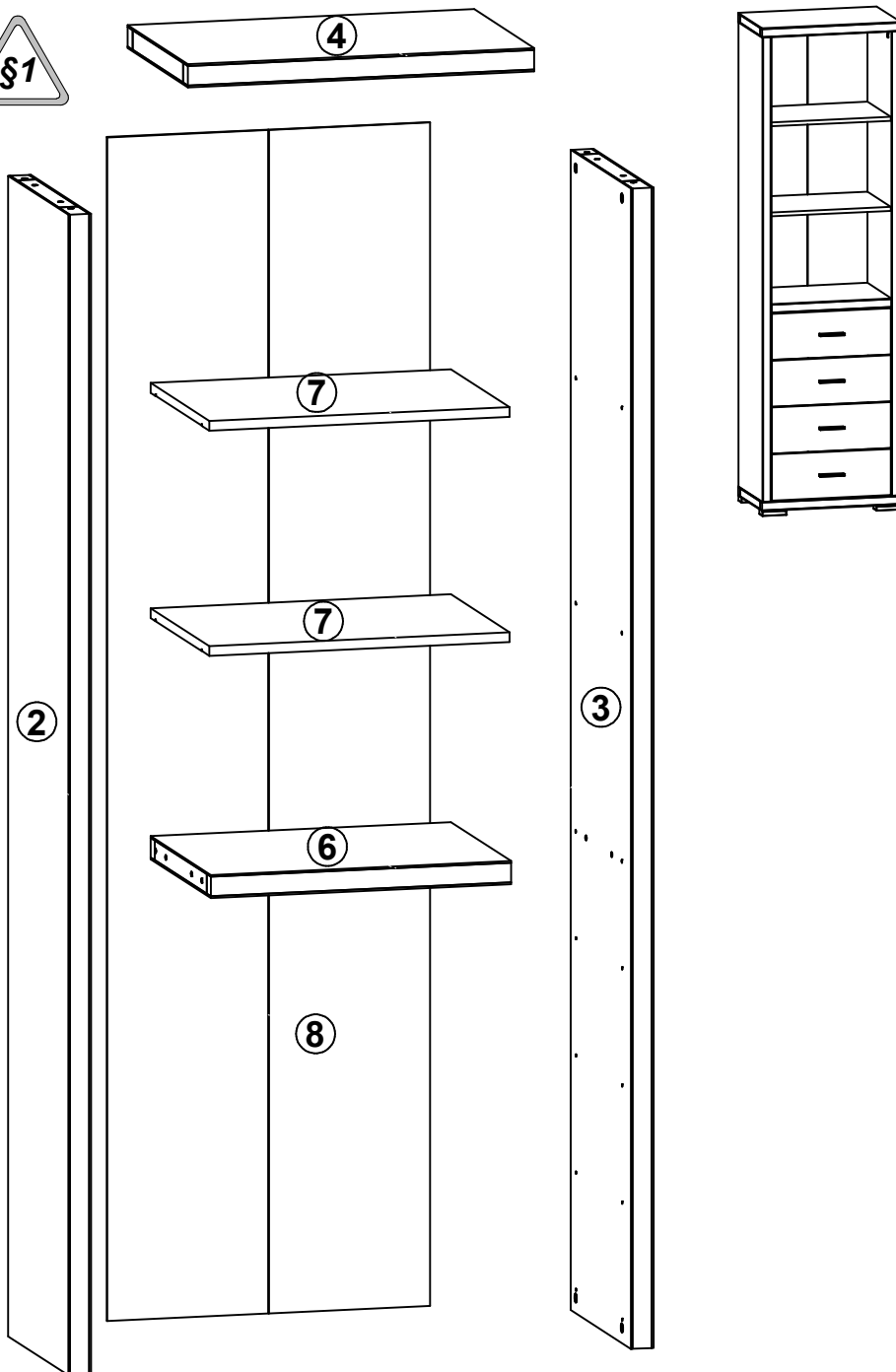


# AFFI

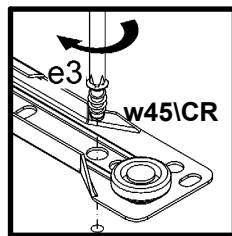
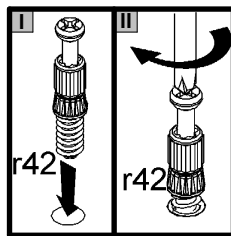
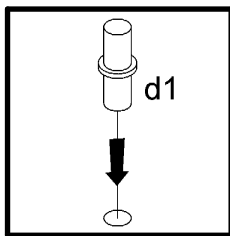
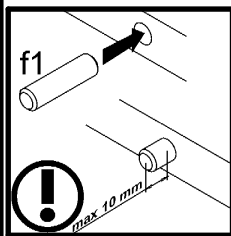
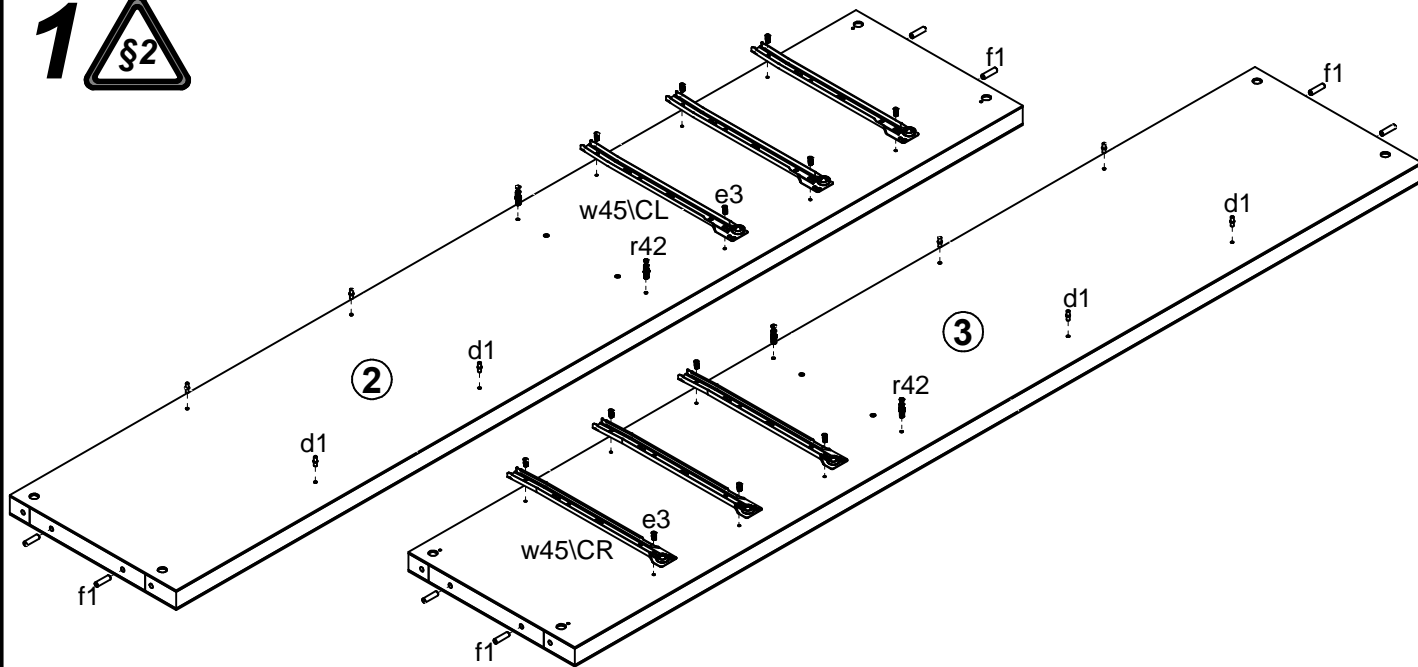
# S75-REG4S/58

A	B	C	D
1	S75-001	496	189 3/3
2	S75-102	1902	374 1/3
3	S75-103	1902	374 1/3
4	S75-202	578	375 2/3
5	S75-203	578	375 2/3
6	S75-302	501	374 2/3
7	S75-303	501	365 2/3
8	S75-901	1940	539 1/3
9	S75-902	463	348 1/3
10	ZS1-529	350	120 2/3
11	ZS1-530	350	120 2/3
12	ZS1-6521	452	120 2/3

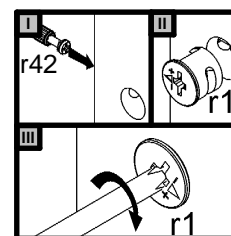
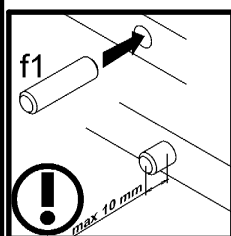
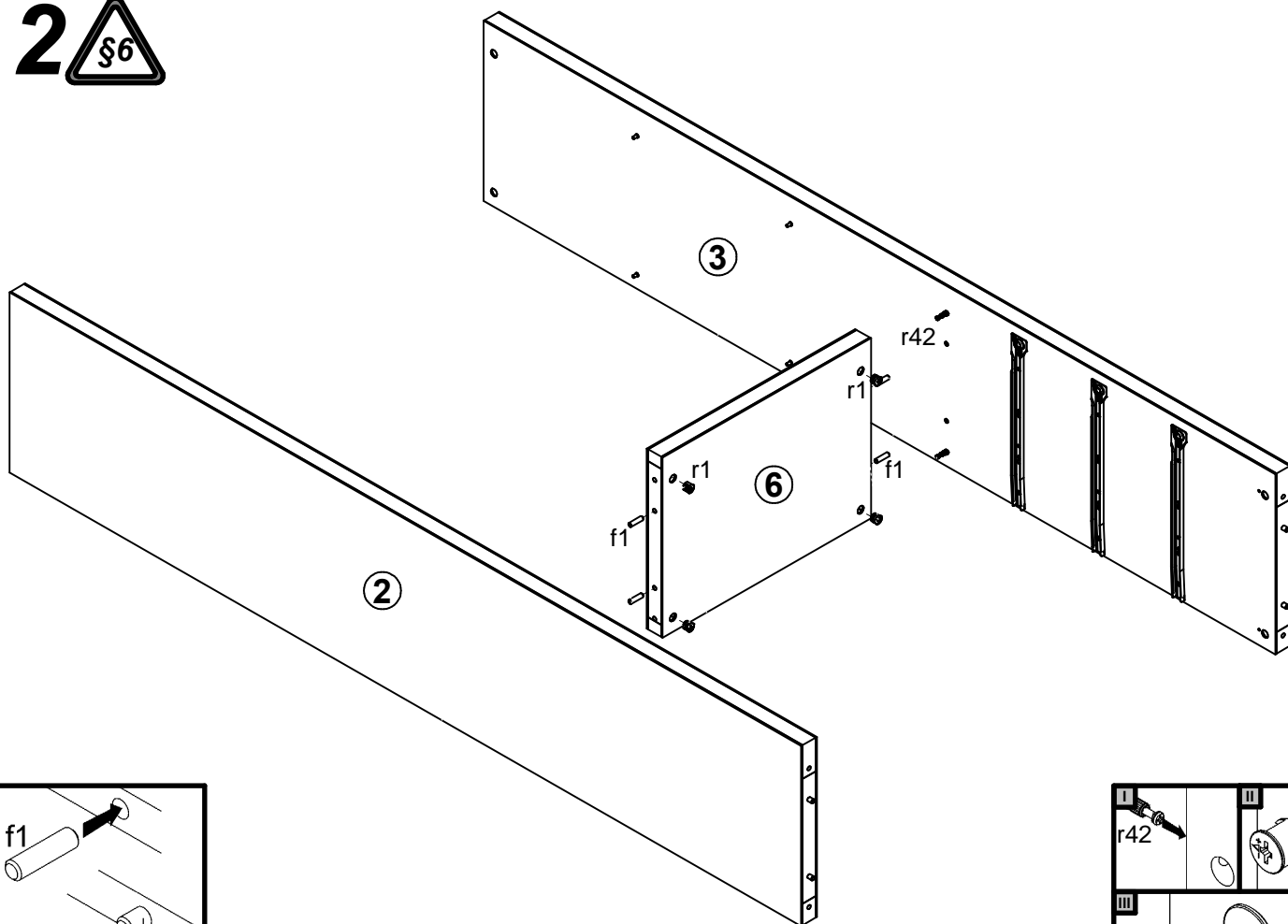


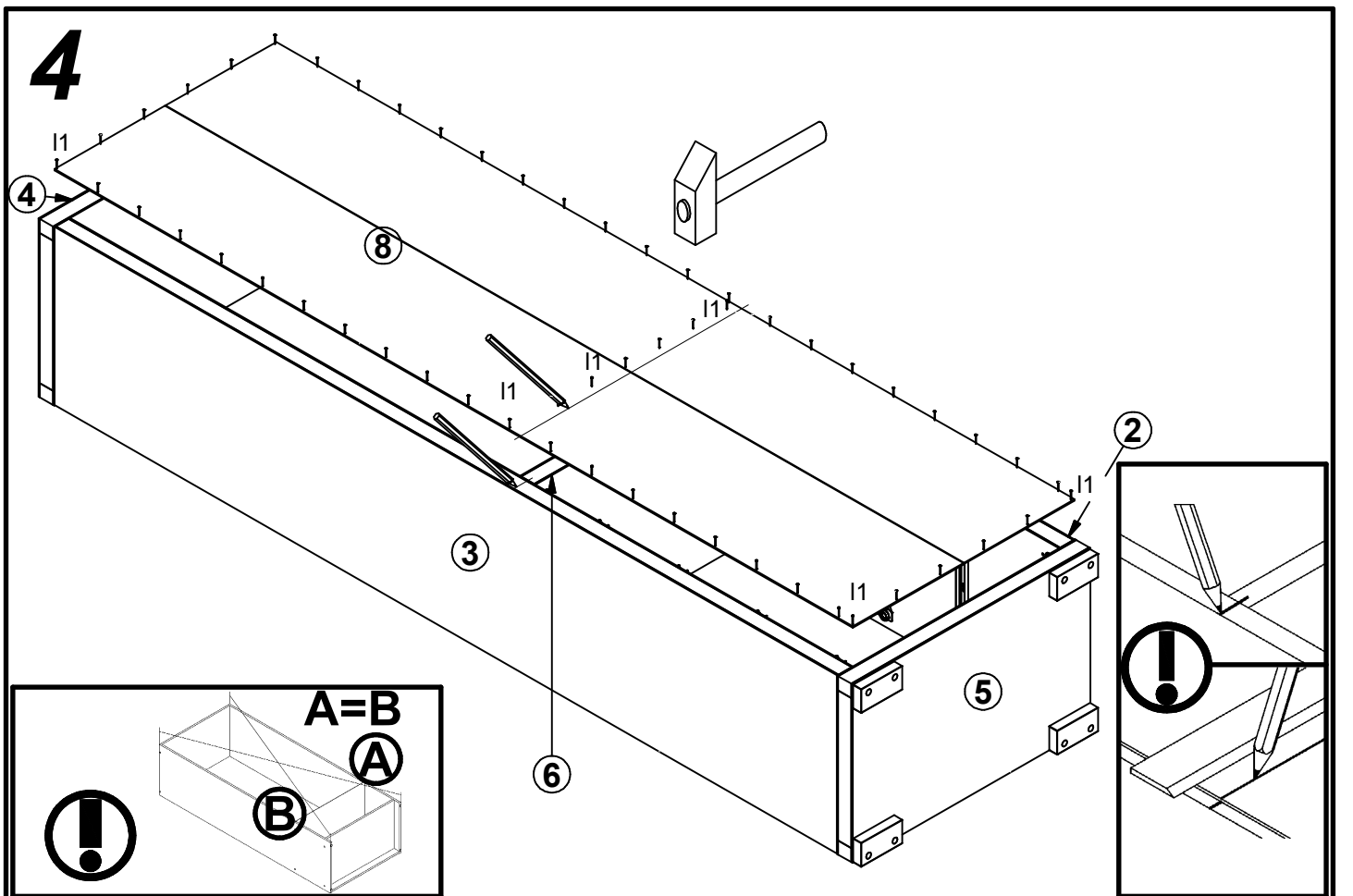
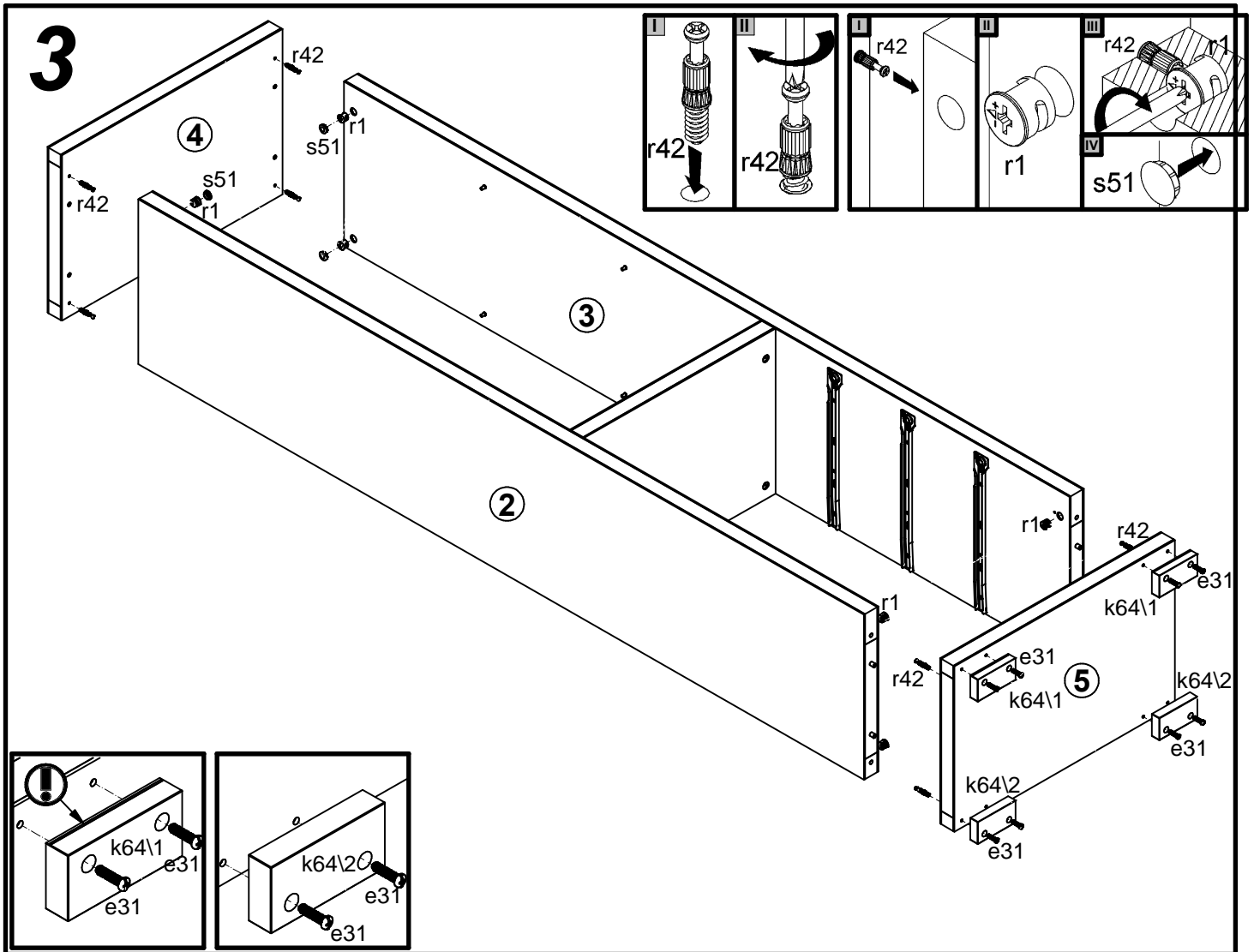
4x  6.4mm <b>c238</b>	8x  φ5x17 mm <b>d1</b>	16x  φ6x13 mm <b>e3</b>	16x  φ5x9 mm <b>e19</b>	8x  φ6x22 mm <b>e31</b>	12x  φ8x30 mm <b>f1</b>	16x  φ6.5x40 mm <b>f25</b>	2x  <b>k64/1</b>	2x  <b>k64/2</b>
60x  <b>l1</b>	8x  φ4x22 mm <b>p60</b>	12x  φ1.5x12mm #16 <b>r1</b>	16x  φ1.2x10.5mm #12 <b>r15</b>	28x  <b>r42</b>	4x  ø15 <b>s51</b>	4x  350 mm <b>w45/CL</b>	4x  350 mm <b>w45/CR</b>	4x  350 mm <b>w45/DL</b>
4x  350 mm <b>w45/DR</b>	1x  <b>n26/1</b>	1x  φ3.5x16 mm <b>p38</b>						

# 1

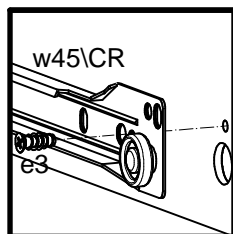
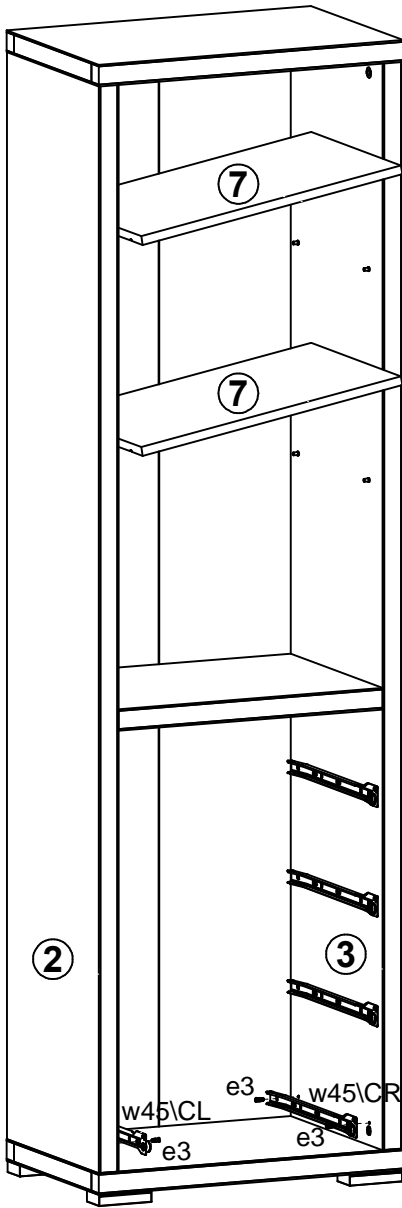


# 2





# 5



# 6

