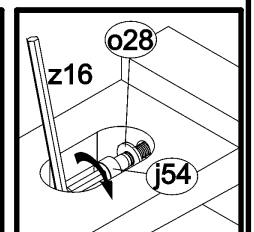
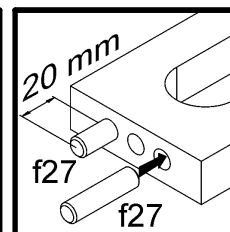
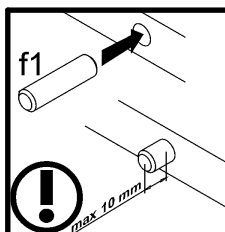
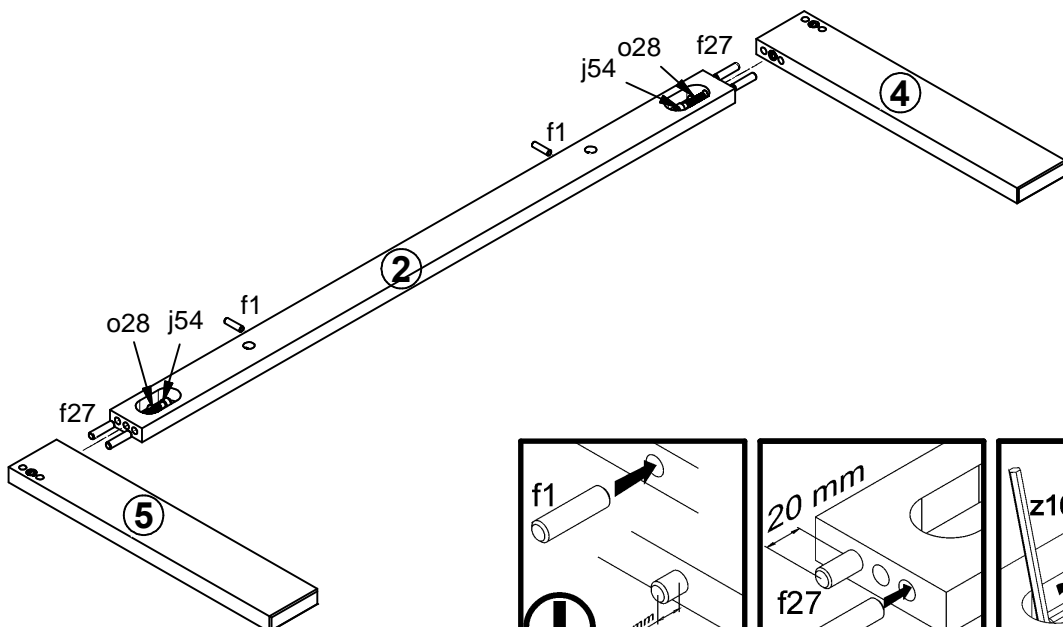
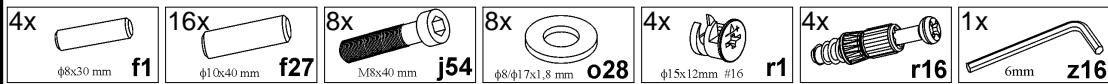
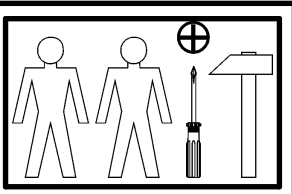
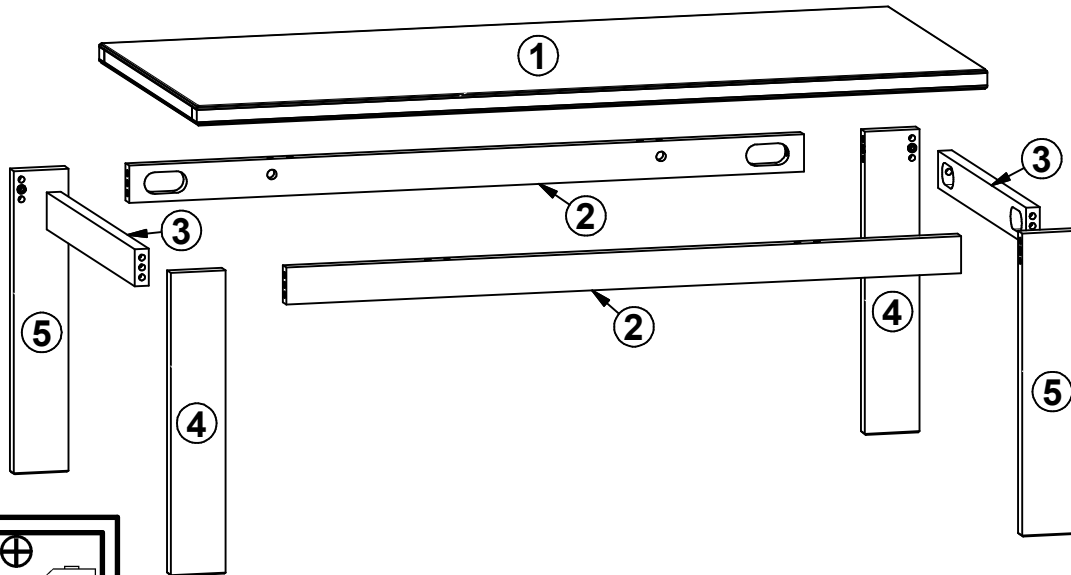


# BIGGER

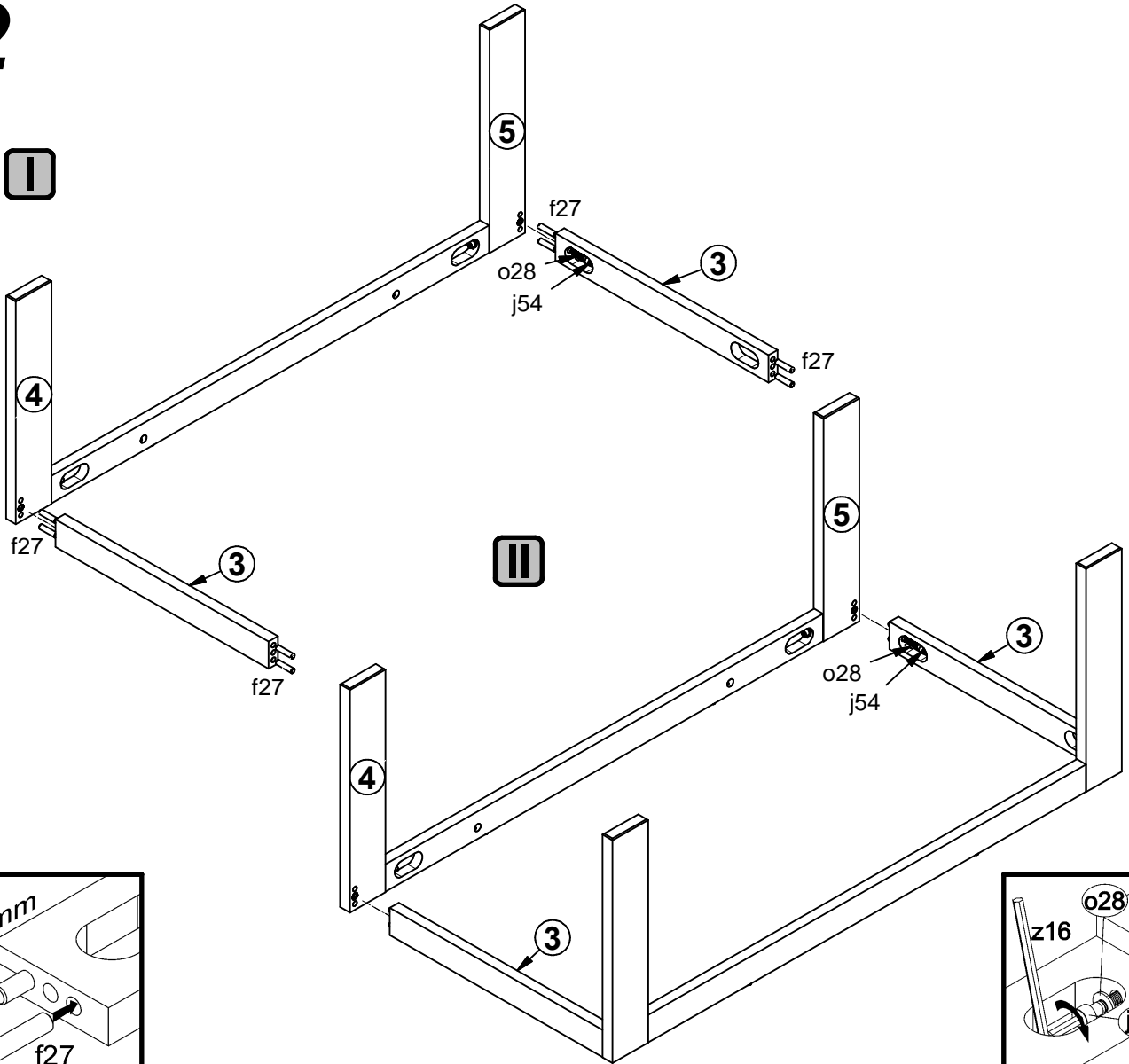
S78-LAW/130

A	B	C	D
1	S78-207	1300	600
2	S78-414	1110	60
3	S78-415	540	60
4	S78-416	490	90
5	S78-417	490	90

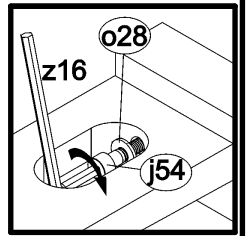
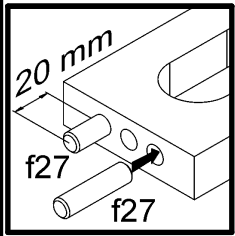


# 2

## I



## II



# 3

