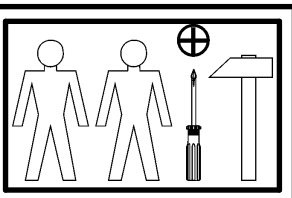
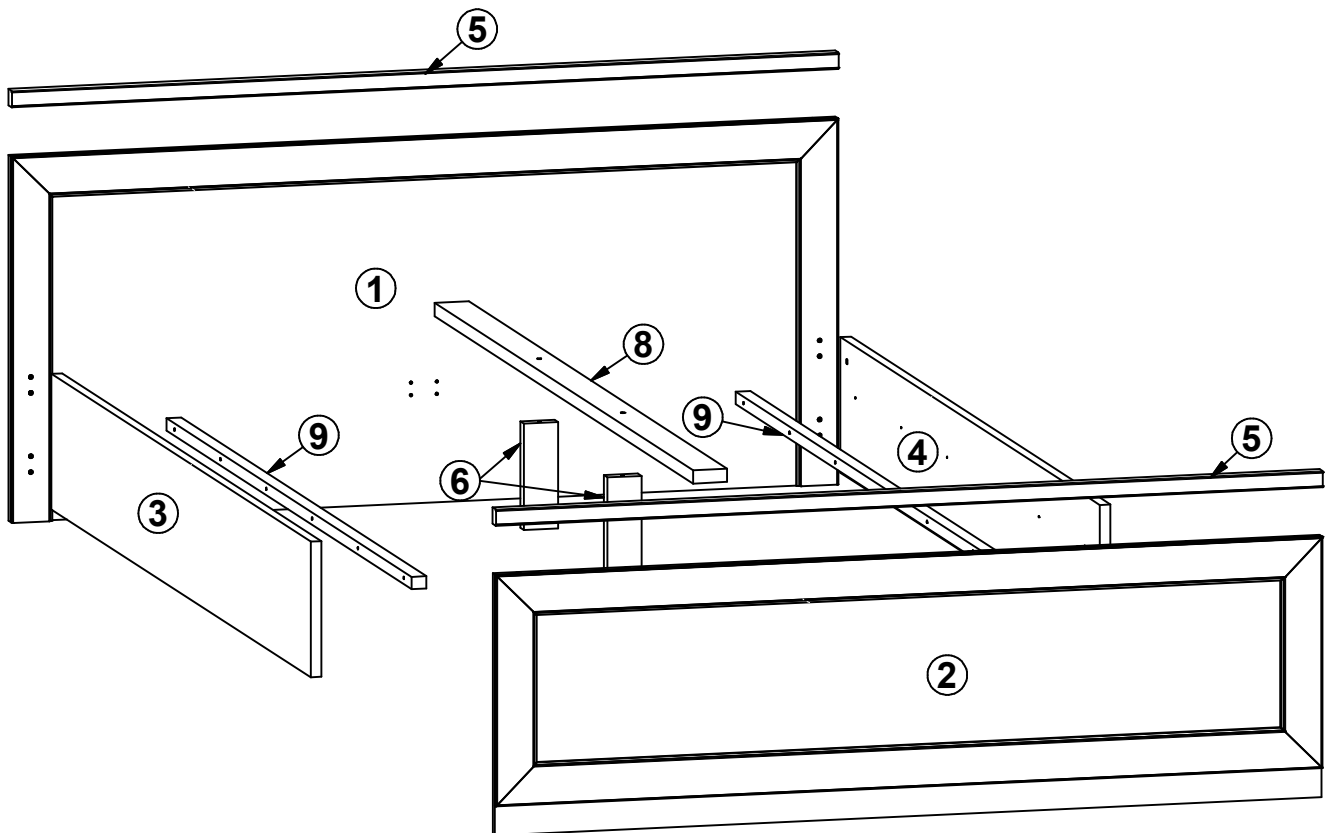
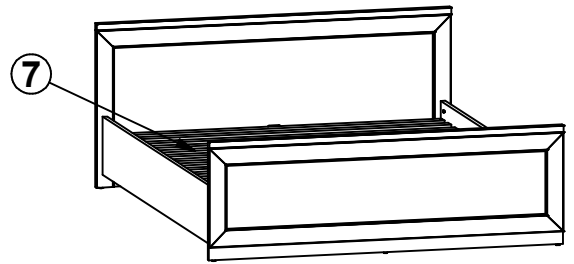


BIGGER

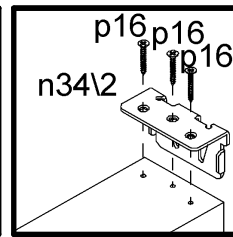
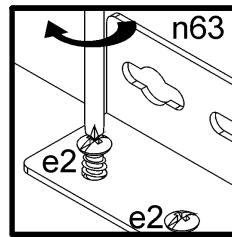
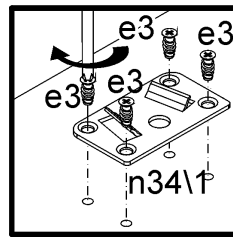
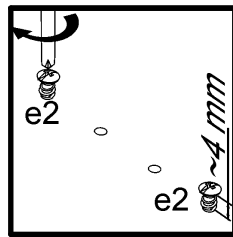
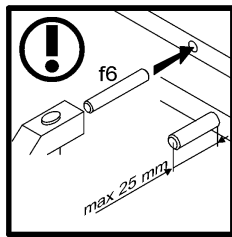
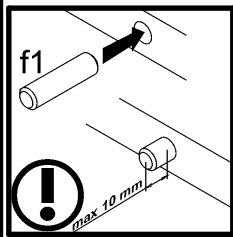
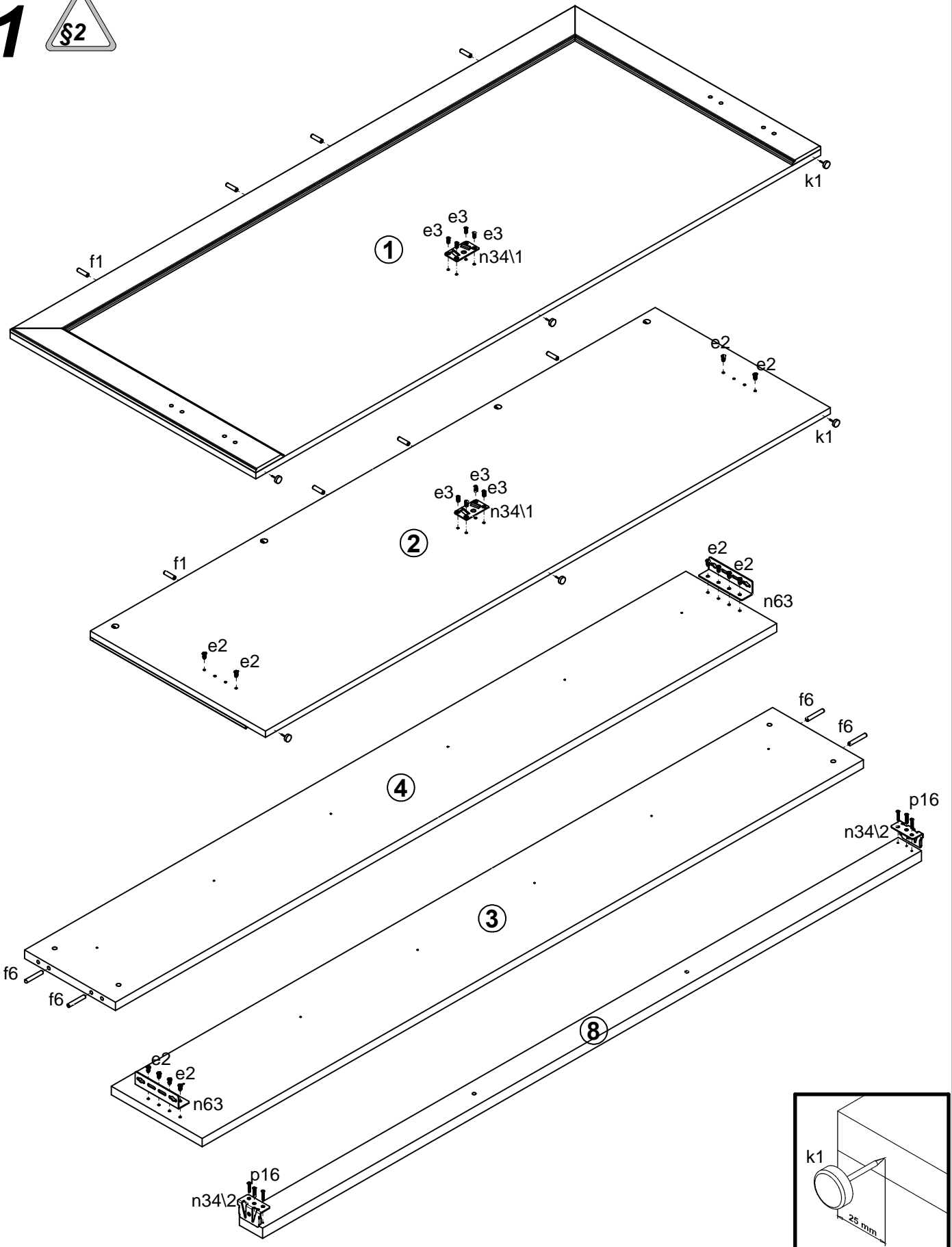
S78-LOZ/160

A	B	C	D	
1	S78-409	1700	739	1/2
2	S78-410	1700	527	1/2
3	S78-411	1990	274	2/2
4	S78-424	1990	274	2/2
5	S78-561	1700	33	1/2
6	ZZ1-414	215	70	2/2
7	ZZ1-501	1872	1578	1/1
8	ZZ1-719	1983	70	2/2
9	ZZ1-720	1880	25	2/2 </td

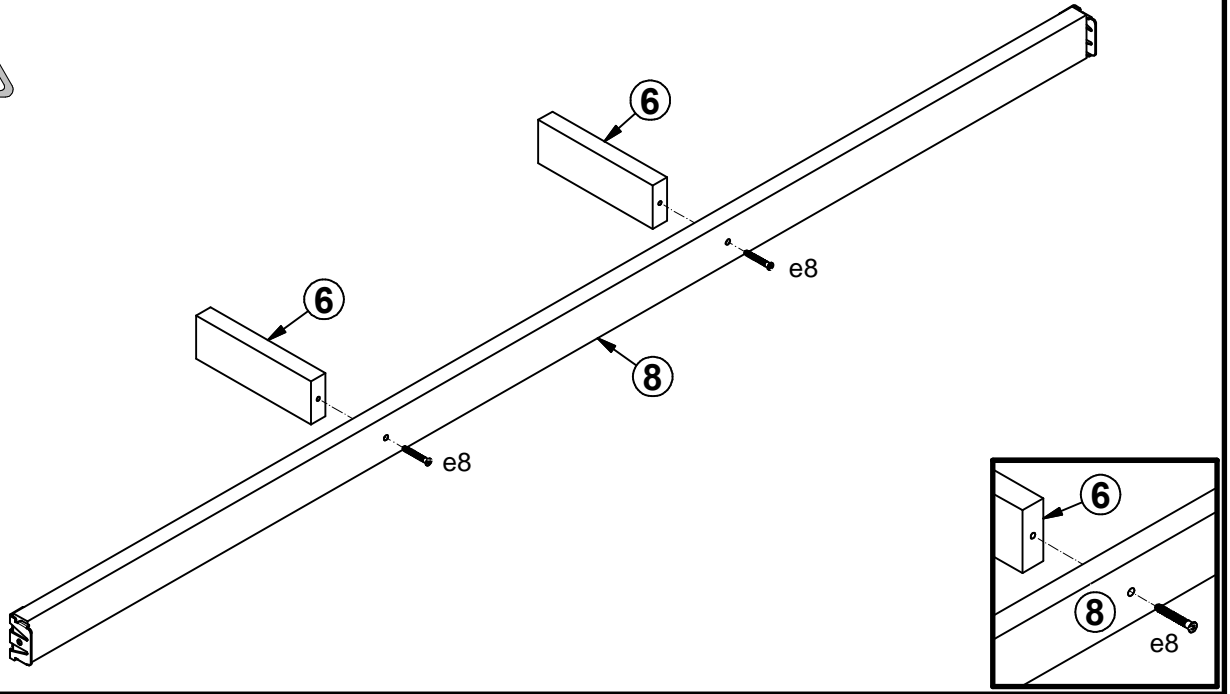


16x φ6,3x13 mm e2	8x φ6x13 mm e3	2x φ7x60 mm e8	8x φ8x30 mm f1	4x φ8x50 mm f6	4x M6x84 mm j117	6x k1	2x n34/1	2x n34/2
2x 130x36x3/4 2mm n63	12x φ4x45 mm p11	6x φ3,5x25 mm p16	6x φ4x35 mm p6	8x φ15x12mm #16 r1	8x r16	4x φ10x16mm r43	4x ø16 s2	1x z1

1



2



3

