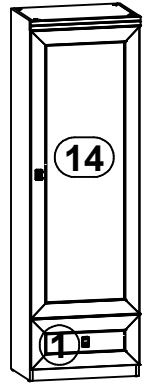
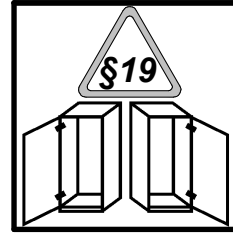


BIGGER

S78-REG1W1S/60

S78-REG1D1S/60

A	B	C	D
1	S78-020	596	272
2	S78-123	1940	387
3	S78-124	1940	387
4	S78-324	567	387
5	S78-325	567	387
6	S78-326	567	385
7	S78-401	567	60
8	S78-509	600	50
9	S78-906	529	348
10	S78-913	1875	594
11	ZS1-529	350	120
12	ZS1-530	350	120
13	ZS1-5522	518	120

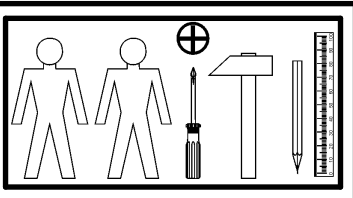
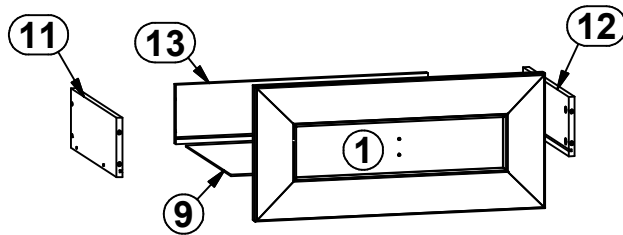
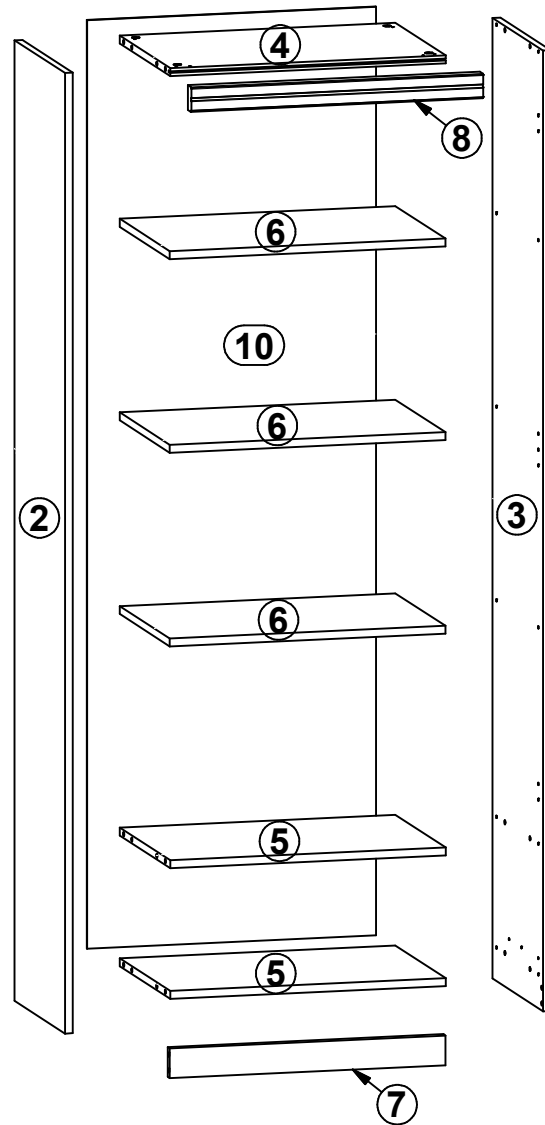


S78-REG1D1S/60

A	B	C	D
14	S78-021	1550	596

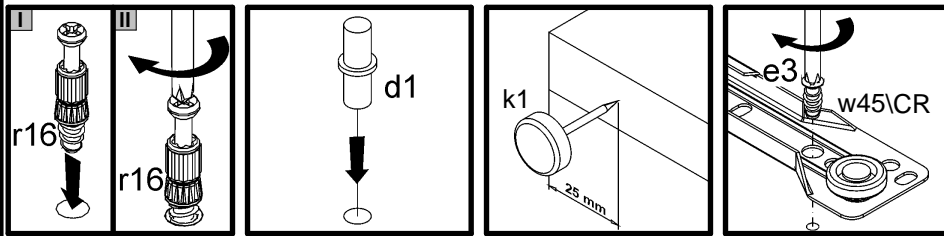
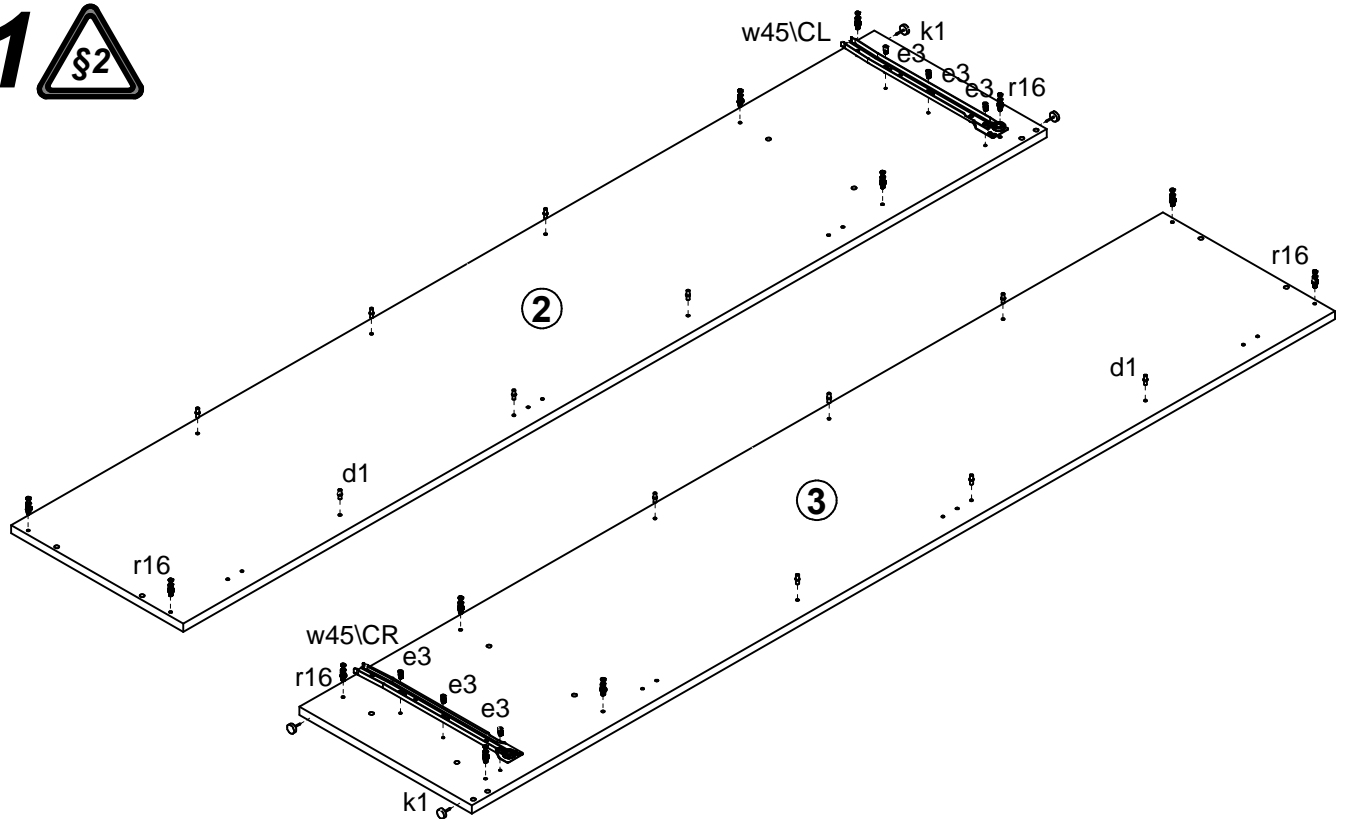
S78-REG1W1S/60

A	B	C	D
15	S78-022	1550	596

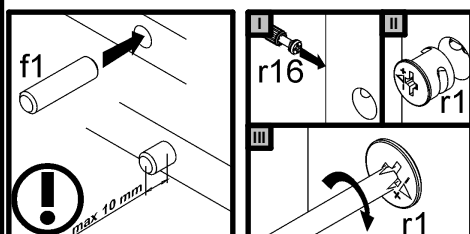
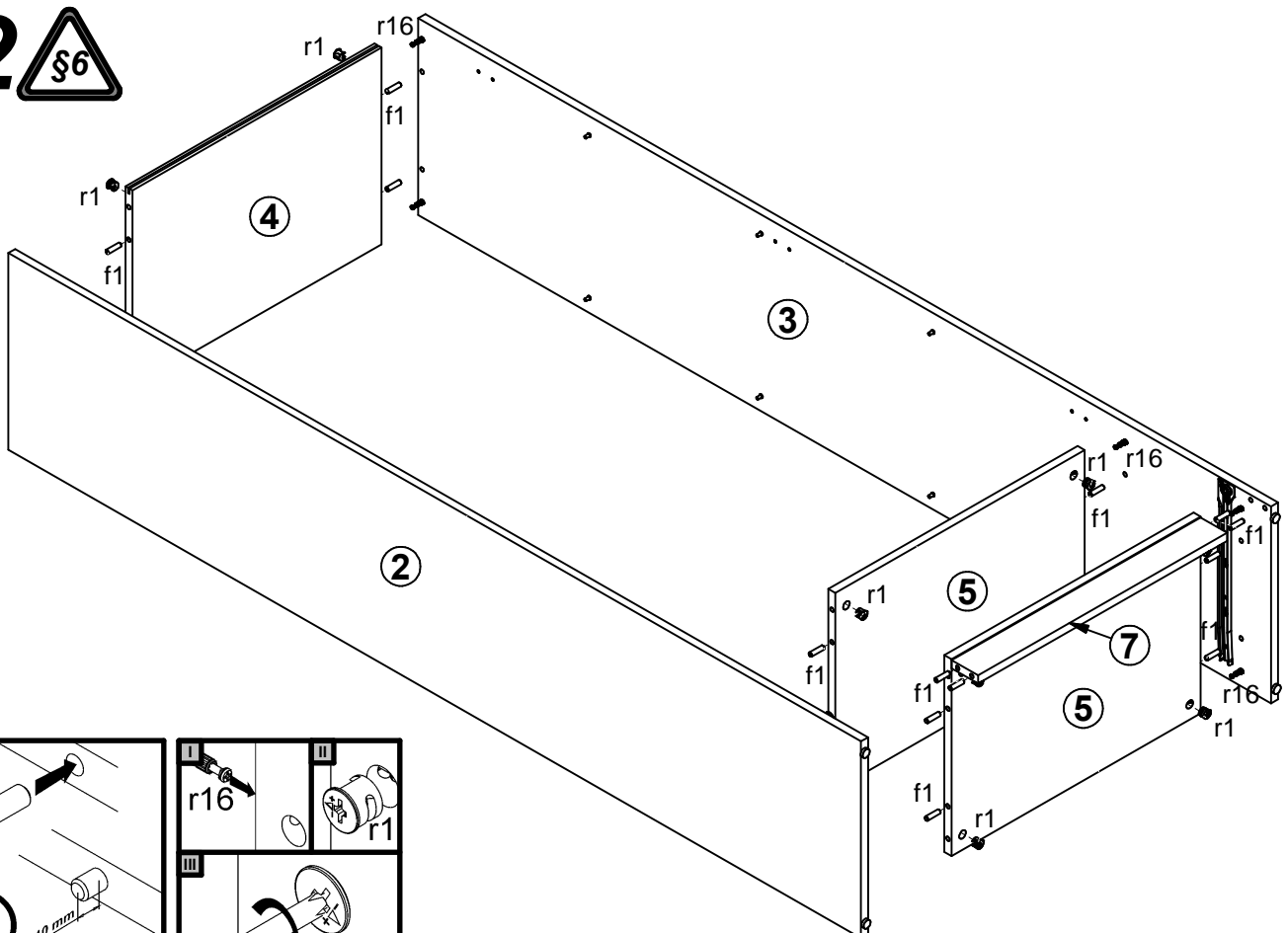


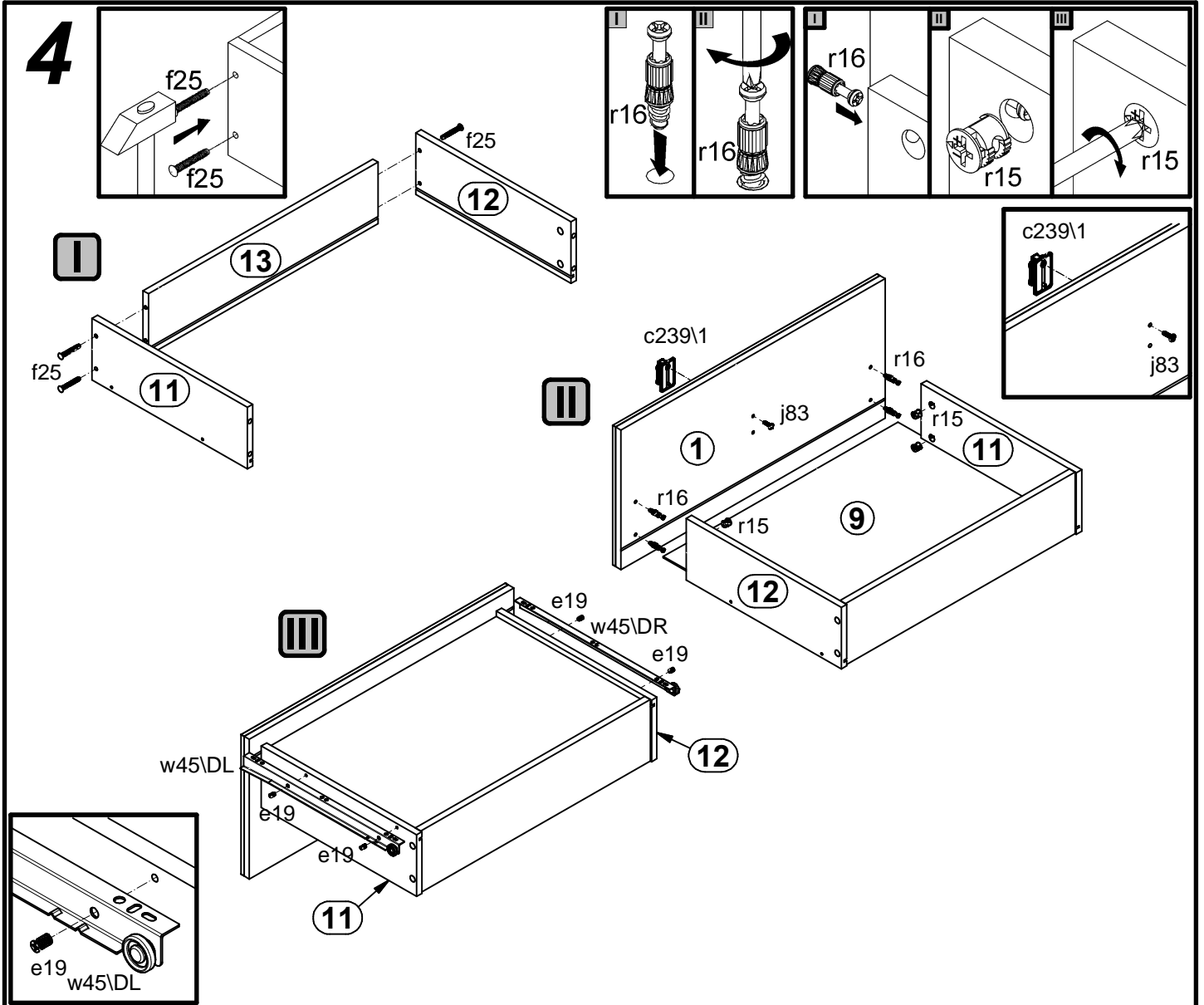
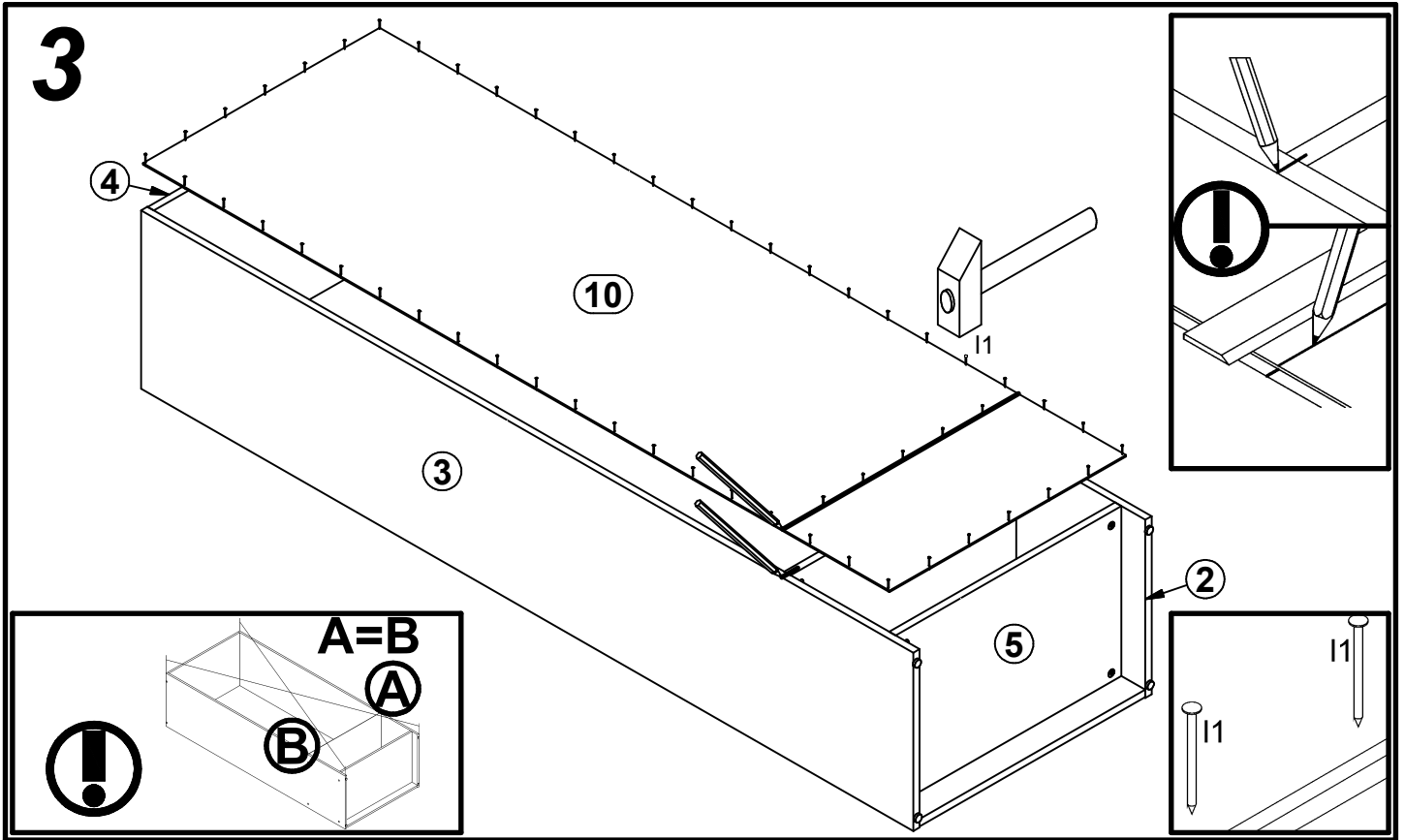
3x a44	3x b33	2x c239\1	12x d1 φ5x17 mm	6x e2 φ6,3x13 mm	6x e3 φ6x13 mm	4x e19 φ5x9 mm	16x f1 φ8x30 mm	3x f11 46x18\4 mm
4x f25 φ6,5x40 mm	1x j11 M4x28 mm	1x j83 M4x16 mm	4x k1	55x l1	6x p51 φ3,5x15 mm	12x r1 φ1,5x12mm #16	4x r15 φ12x10,5mm #12	16x r16
1x w45\CL 350 mm	1x w45\CR 350 mm	1x w45\DL 350 mm	1x w45\DR 350 mm	1x y1	1x n26\1	1x p38 φ3,5x16 mm		

1 



2 





5

