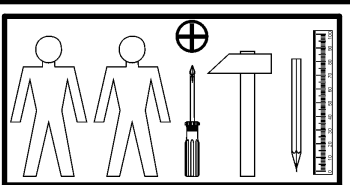
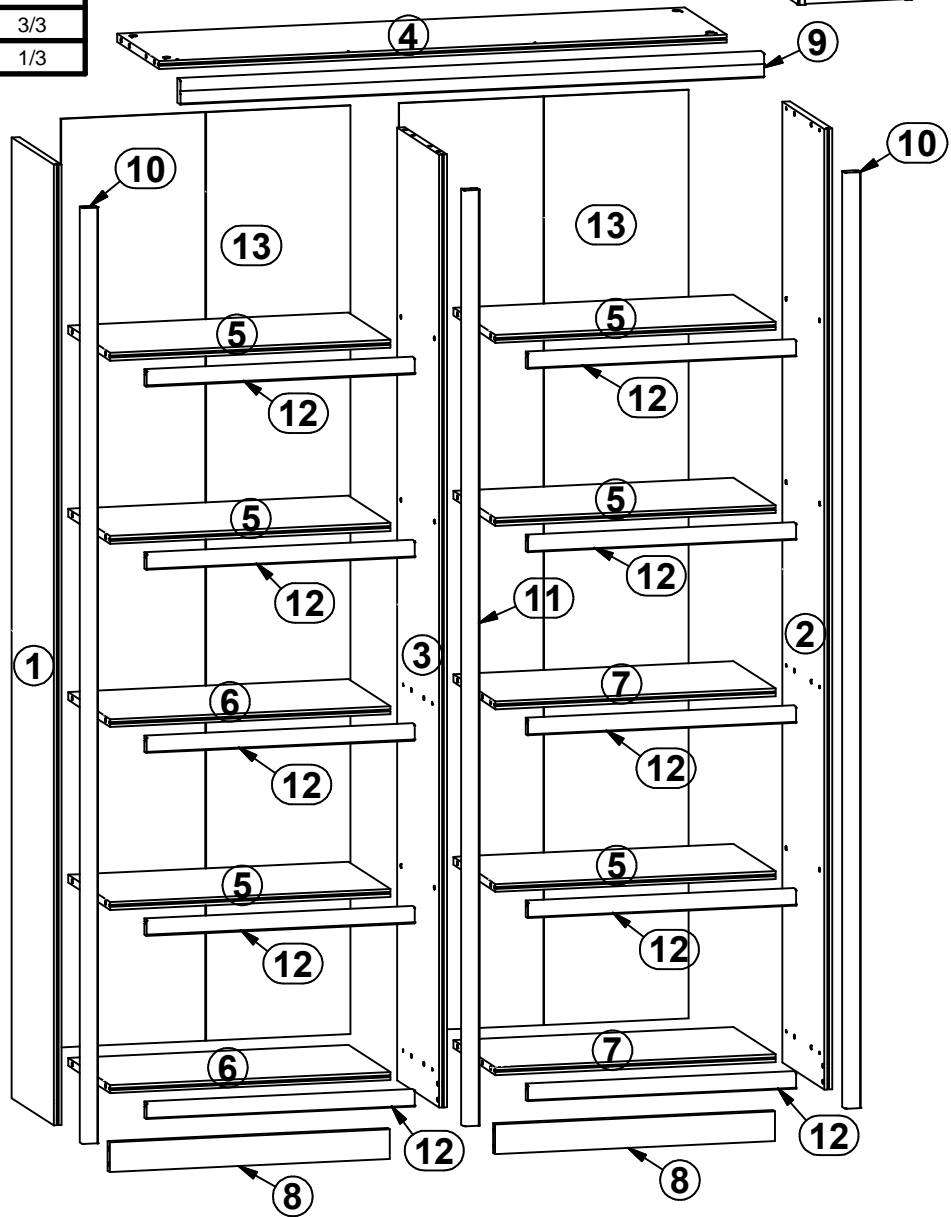
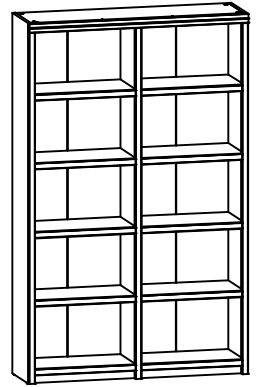


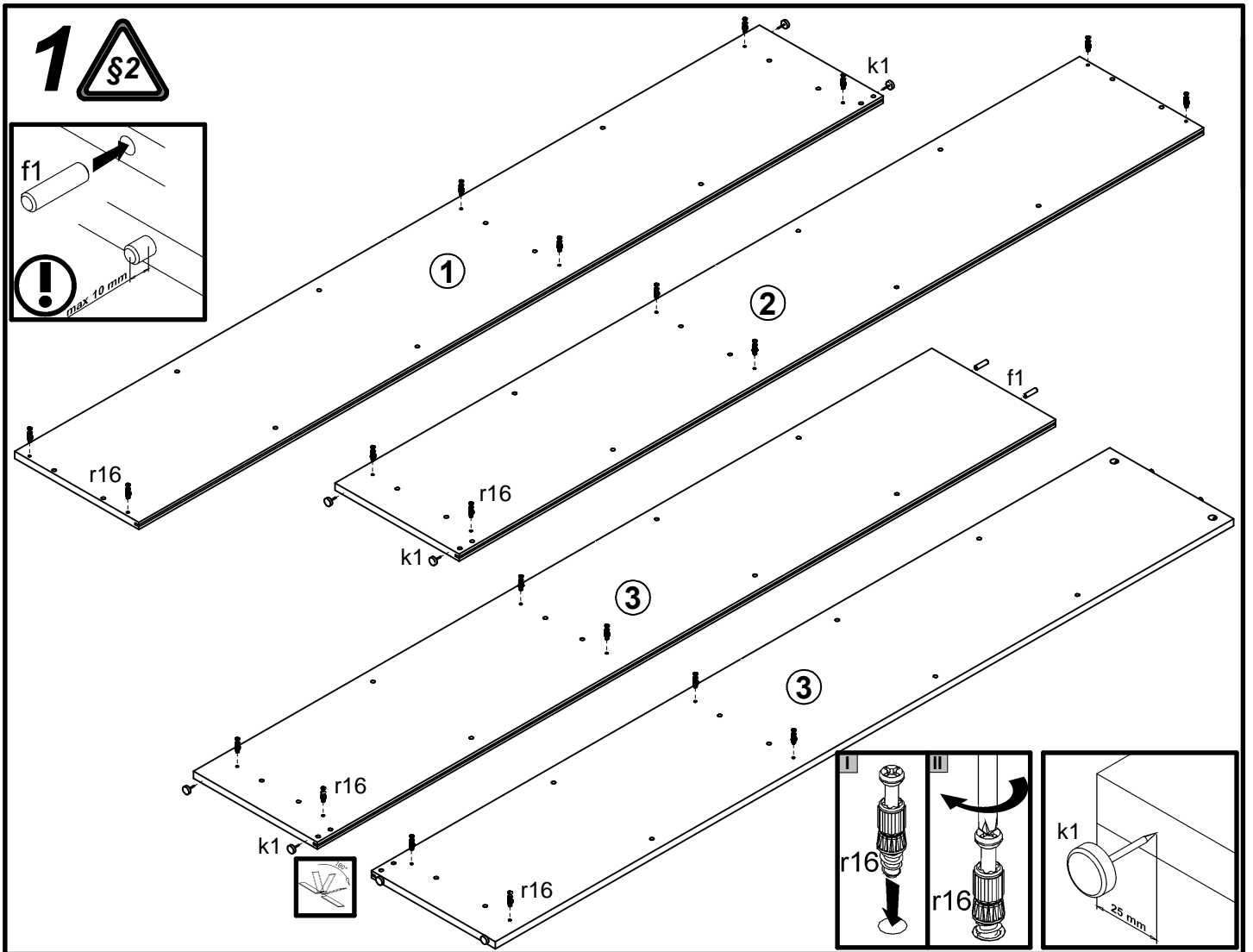
BIGGER

S78-REG/120

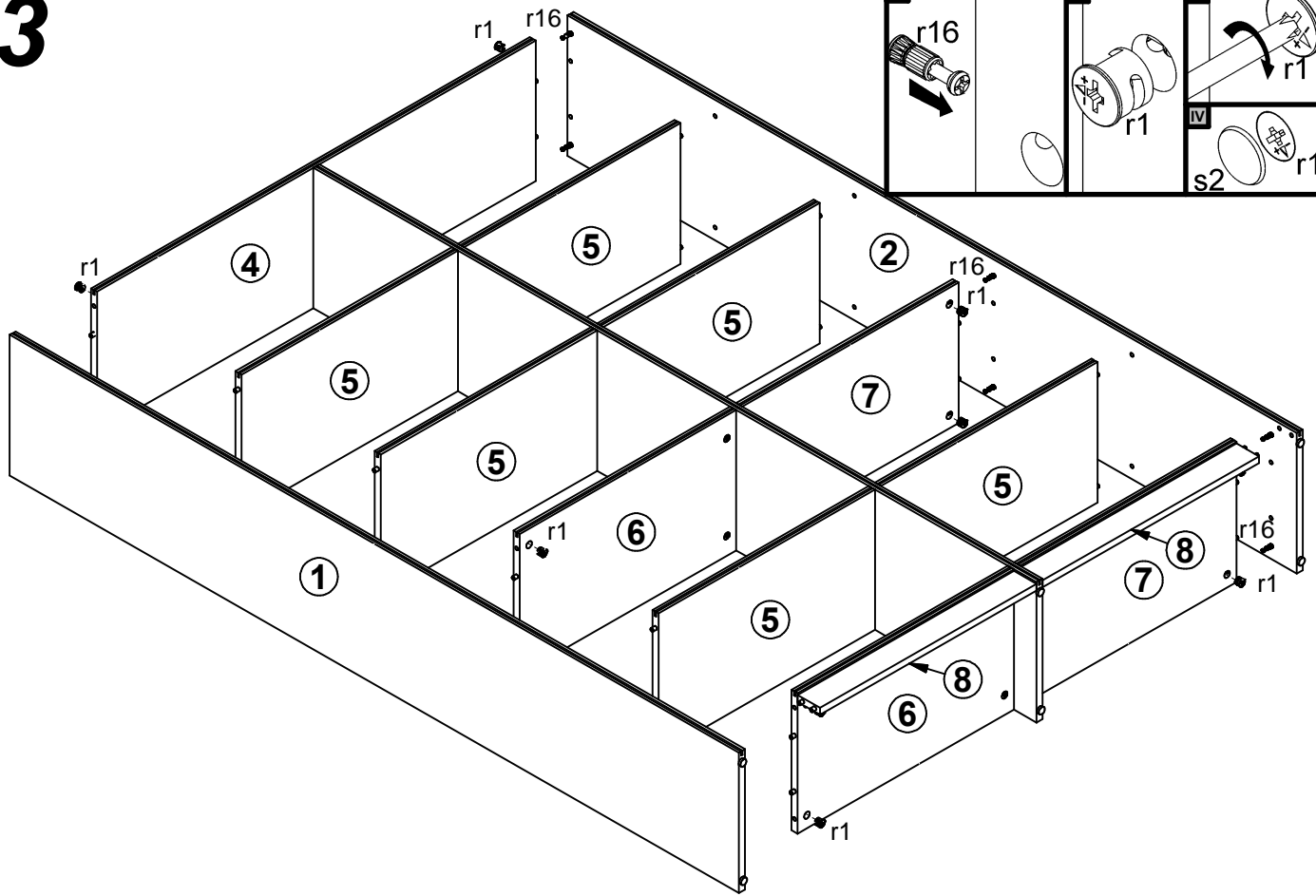
A	B	C	D
1	S78-105	1940	323
2	S78-106	1940	323
3	S78-107	1924	323
4	S78-309	1167	323
5	S78-310	576	323
6	S78-311	576	323
7	S78-312	576	323
8	S78-402	576	60
9	S78-505	1200	50
10	S78-510	1890	33
11	S78-512	1890	33
12	S78-513	551	33
13	S78-903	1875	595



38x φ8x30 mm f1	8x φ8x50 mm f6	59x 46x18¼ mm f11	6x k1	110x l1	22x φ1.5x12mm #16 r1	22x r16	2x ø16 s2	1x GLUE y1
1x n26\1	1x φ3.5x16 mm p38							



3



4

