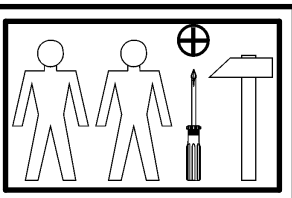
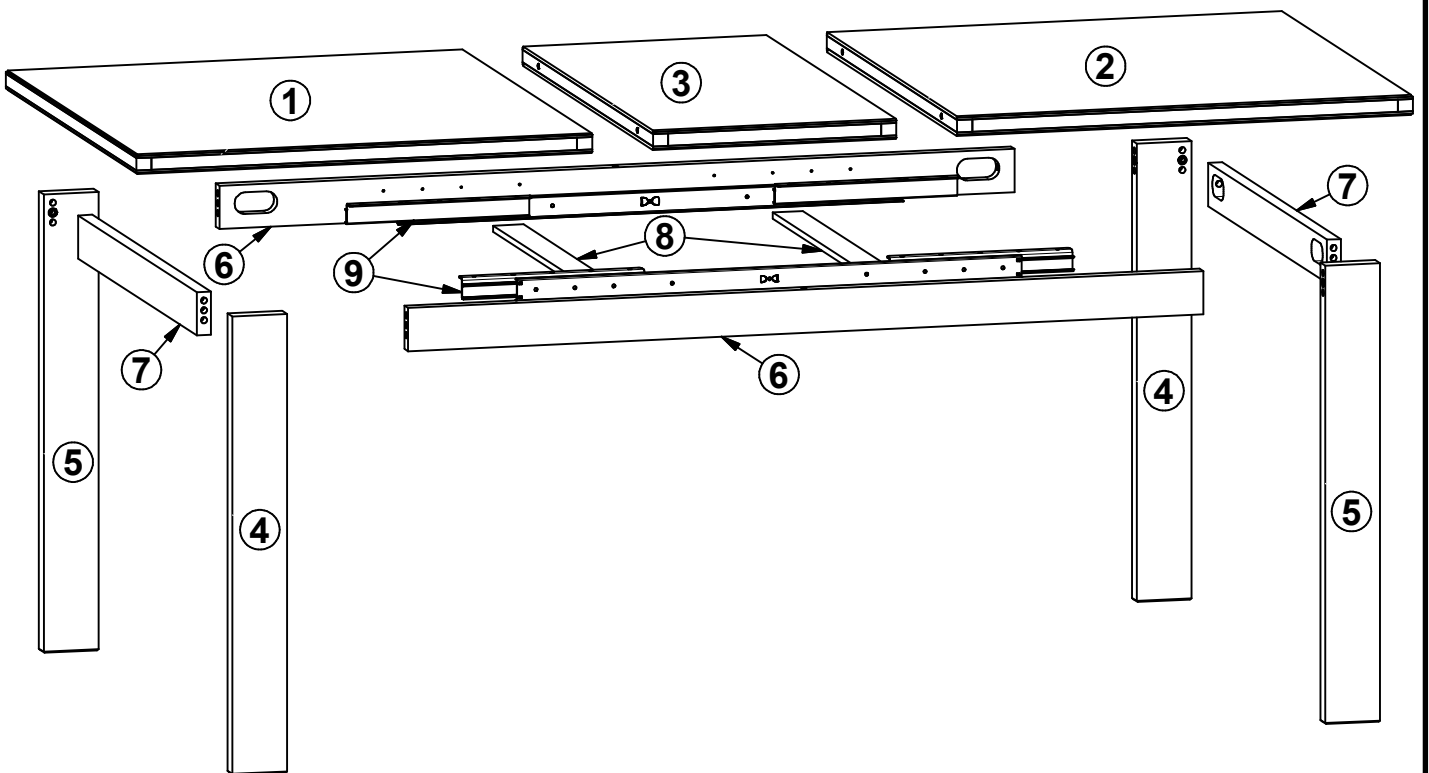
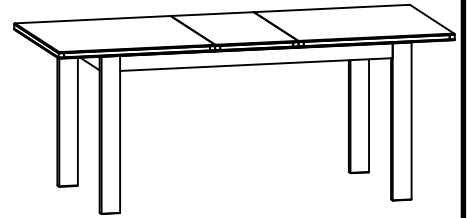


# BIGGER

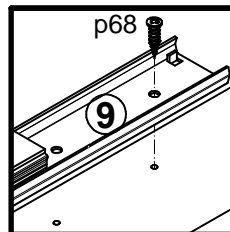
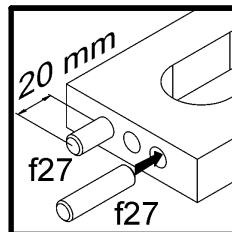
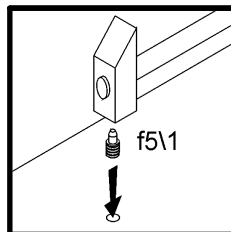
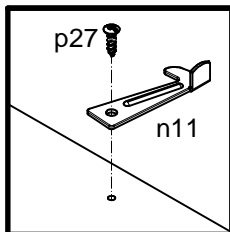
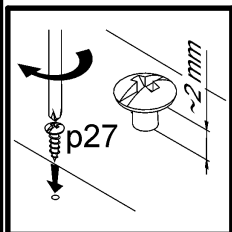
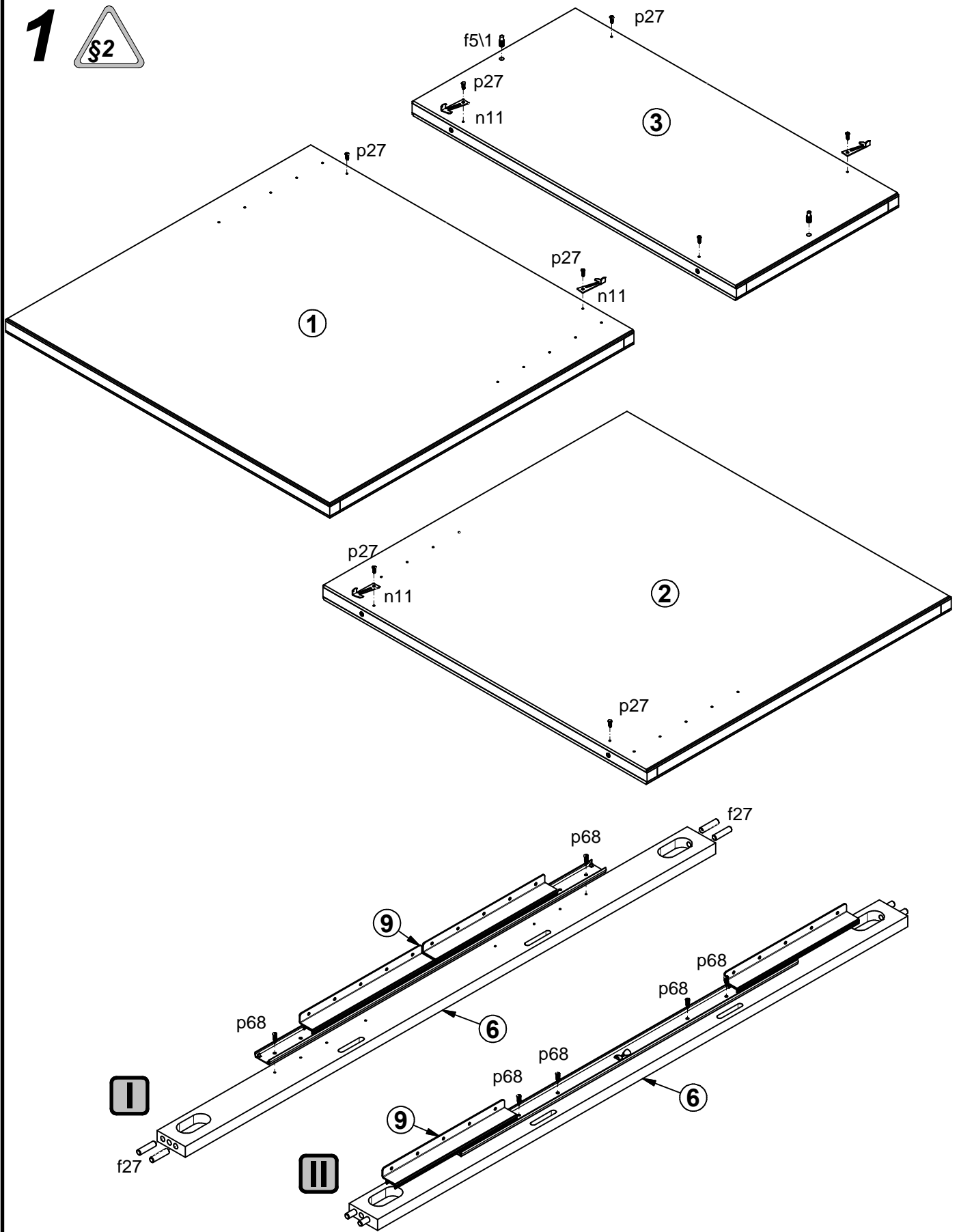
## S78-STO/150

A	B	C	D
1	S78-208	800	750
2	S78-209	800	750
3	S78-210	800	400
4	S78-418	741	90
5	S78-419	741	90
6	S78-420	1308	70
7	S78-421	728	70
8	S78-422	758	50
9	w71	830	

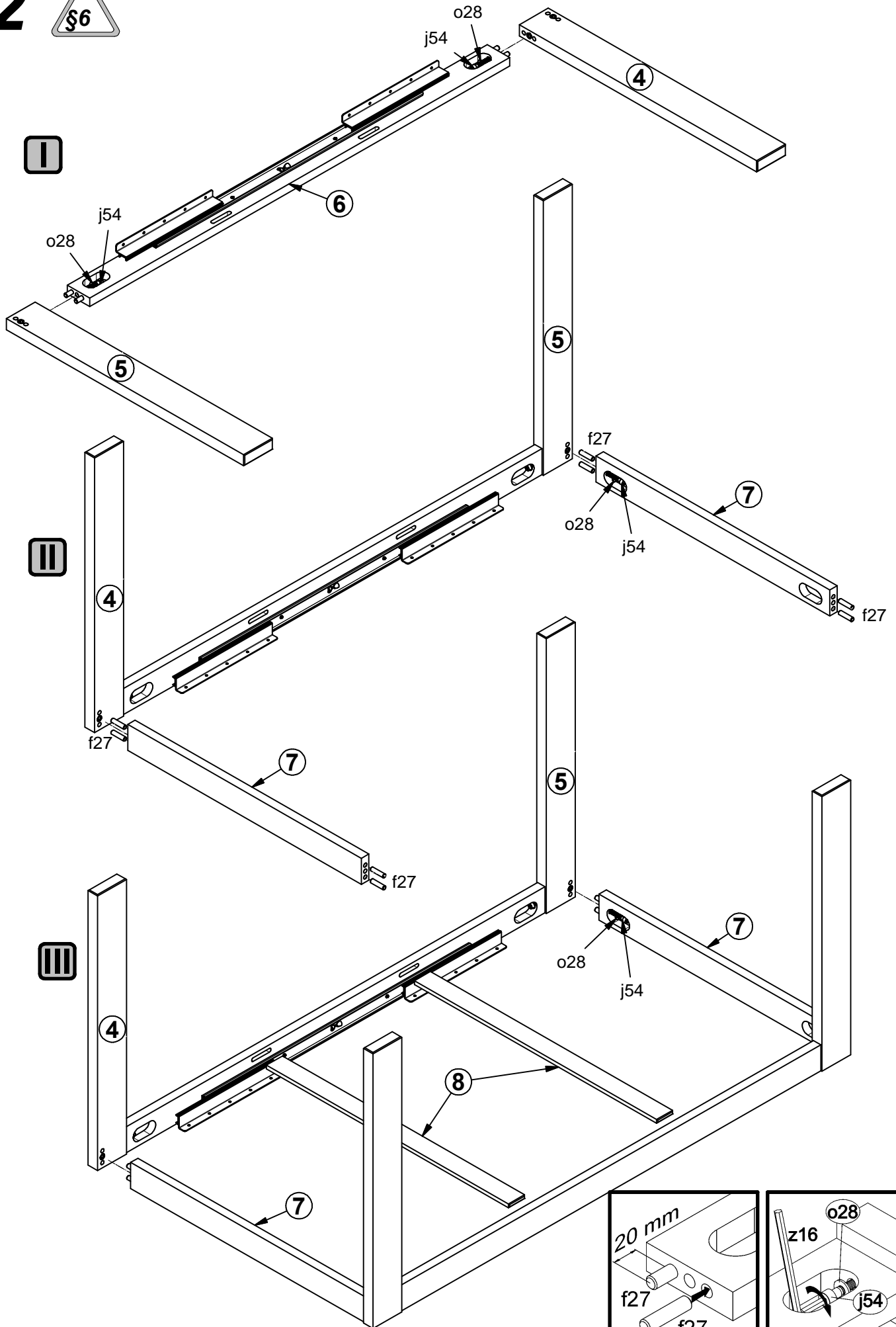


16x φ10x40 mm f27	2x metalowy f5\1	8x M8x40 mm j54	4x n11	8x φ8(φ17)x1,8 mm o28	8x φ3,5x13 mm p27	28x φ4x20 mm p68	1x 6mm z16
-------------------------	------------------------	-----------------------	-----------	-----------------------------	-------------------------	------------------------	------------------

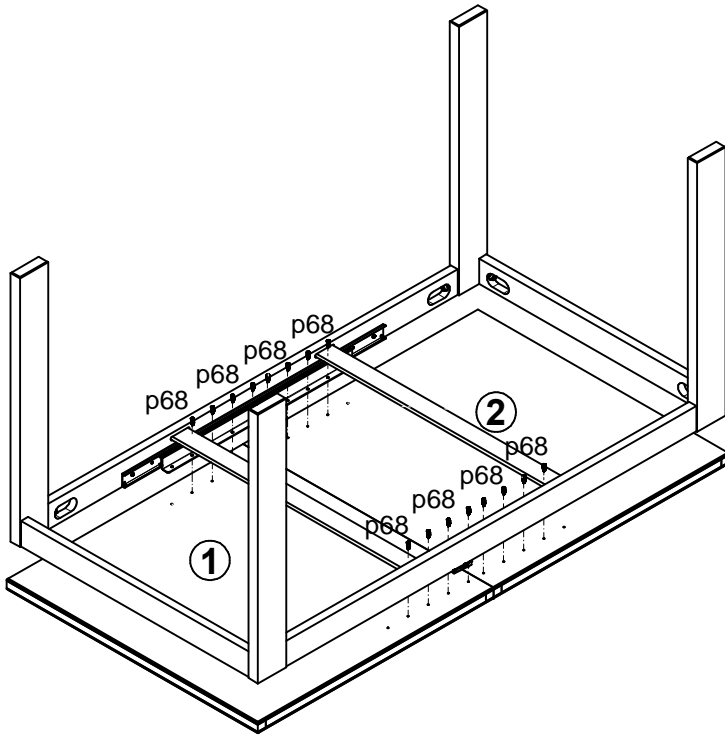
# 1



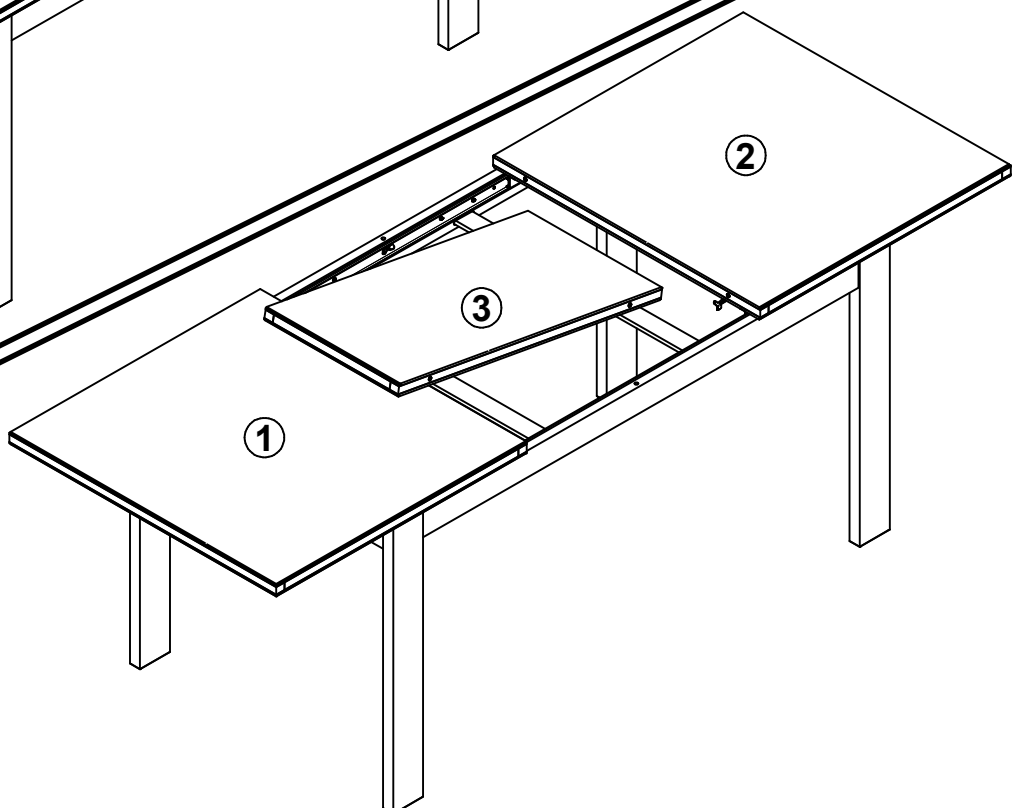
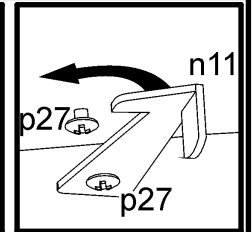
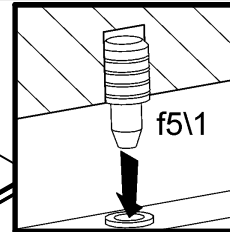
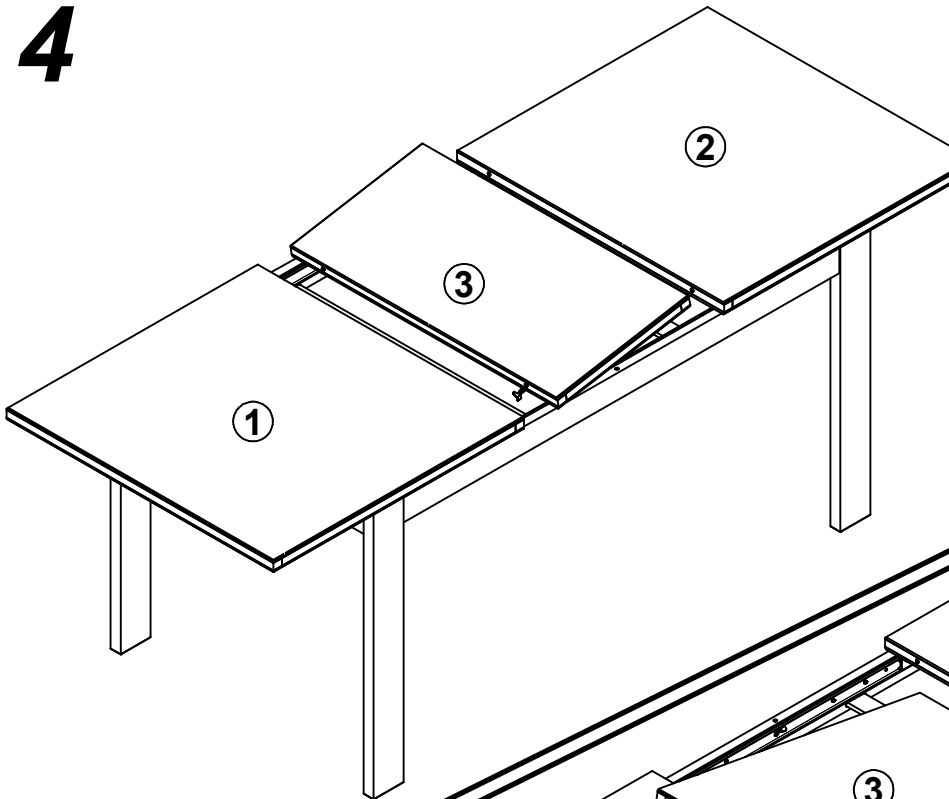
# 2



# 3



# 4



# 5

