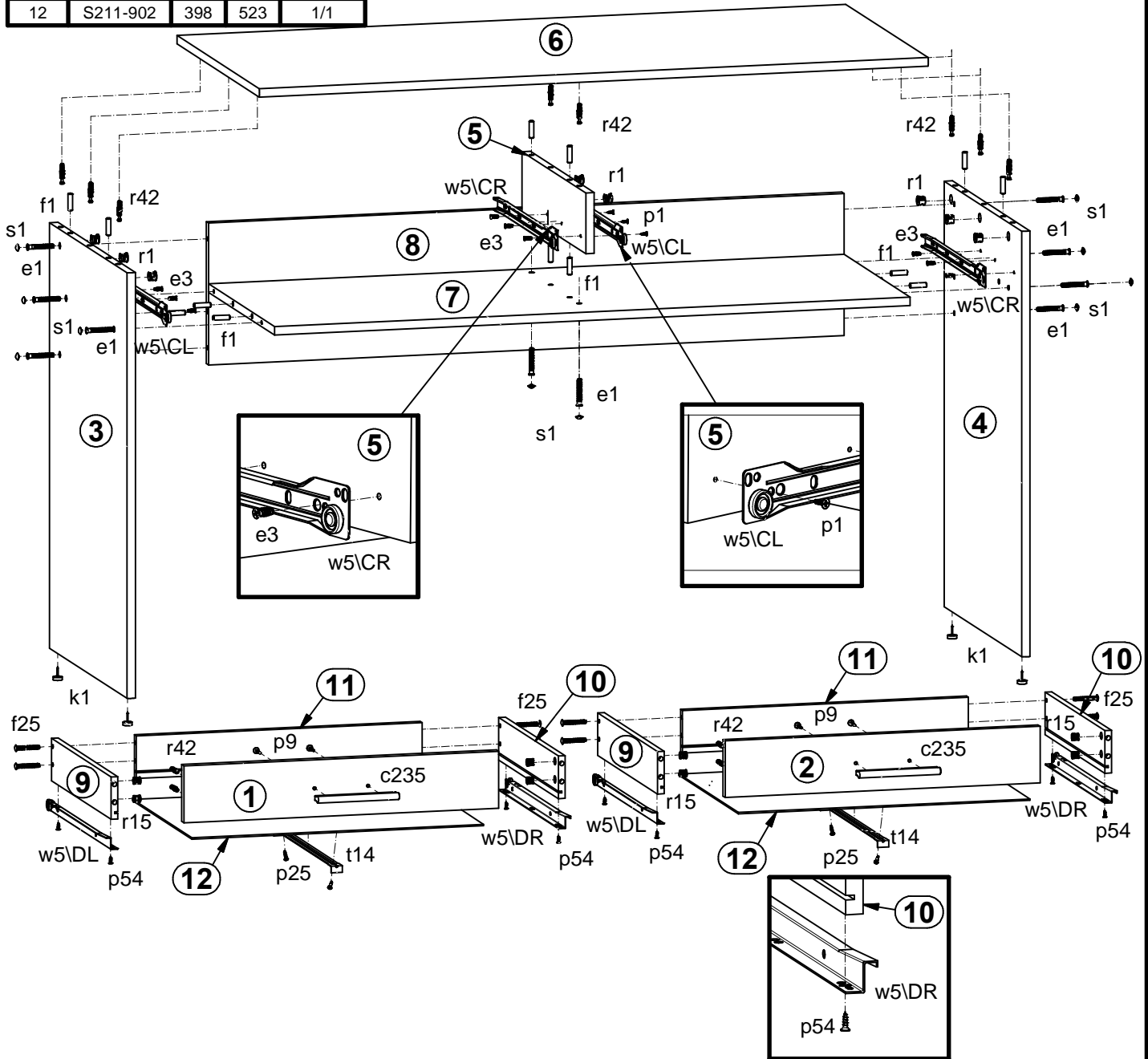
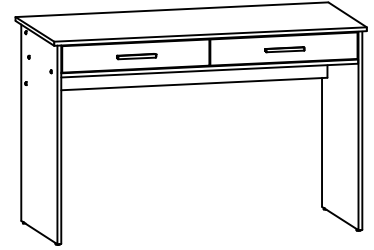
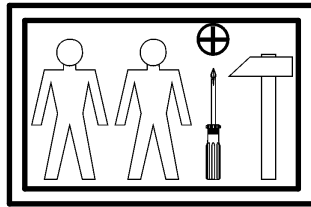


A	B	C	D	
1	S211-003	565	100	1/1
2	S211-004	565	100	1/1
3	S211-104	750	520	1/1
4	S211-105	750	520	1/1
5	S211-106	107	427	1/1
6	S211-202	1200	553	1/1
7	S211-303	1140	442	1/1
8	S211-404	1140	250	1/1
9	S211-504	400	75	1/1
10	S211-505	400	75	1/1
11	S211-506	513	75	1/1
12	S211-902	398	523	1/1



2x L=96/128 mm c235	12x Ø7x50 mm e1	9x Ø6x13 mm e3	14x Ø8x30 mm f1	8x Ø6.5x40 mm f25	4x k1	3x Ø3.5x13 mm p1	4x Ø3.5x16 mm p25	2x 400 mm w5\CR
8x Ø3x12 mm p54	4x Ø4x30 mm p9	8x Ø15x12 mm #16 r1	8x Ø12x10.5 mm #12 r15	16x r42	10x s1	2x 383 mm t14	2x 400 mm w5\CL	2x 400 mm w5\DL
2x 400 mm w5\DR	1x z1	2x Ø16 s2						