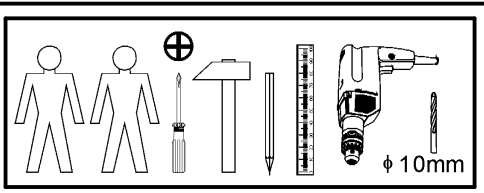
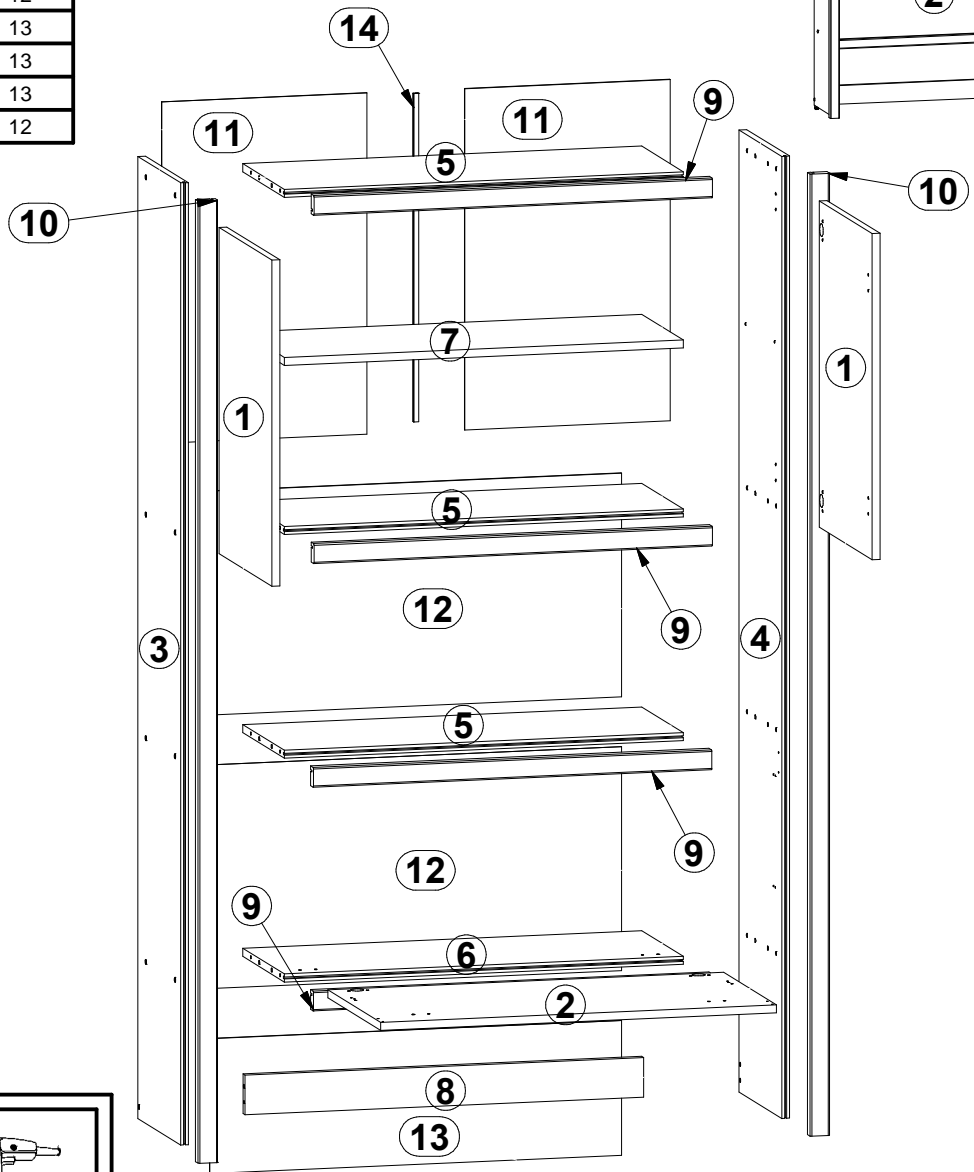
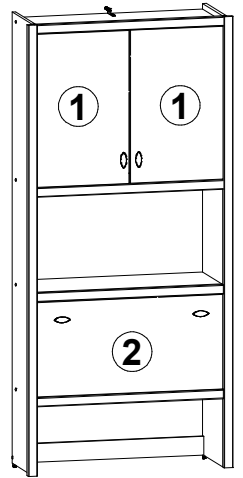


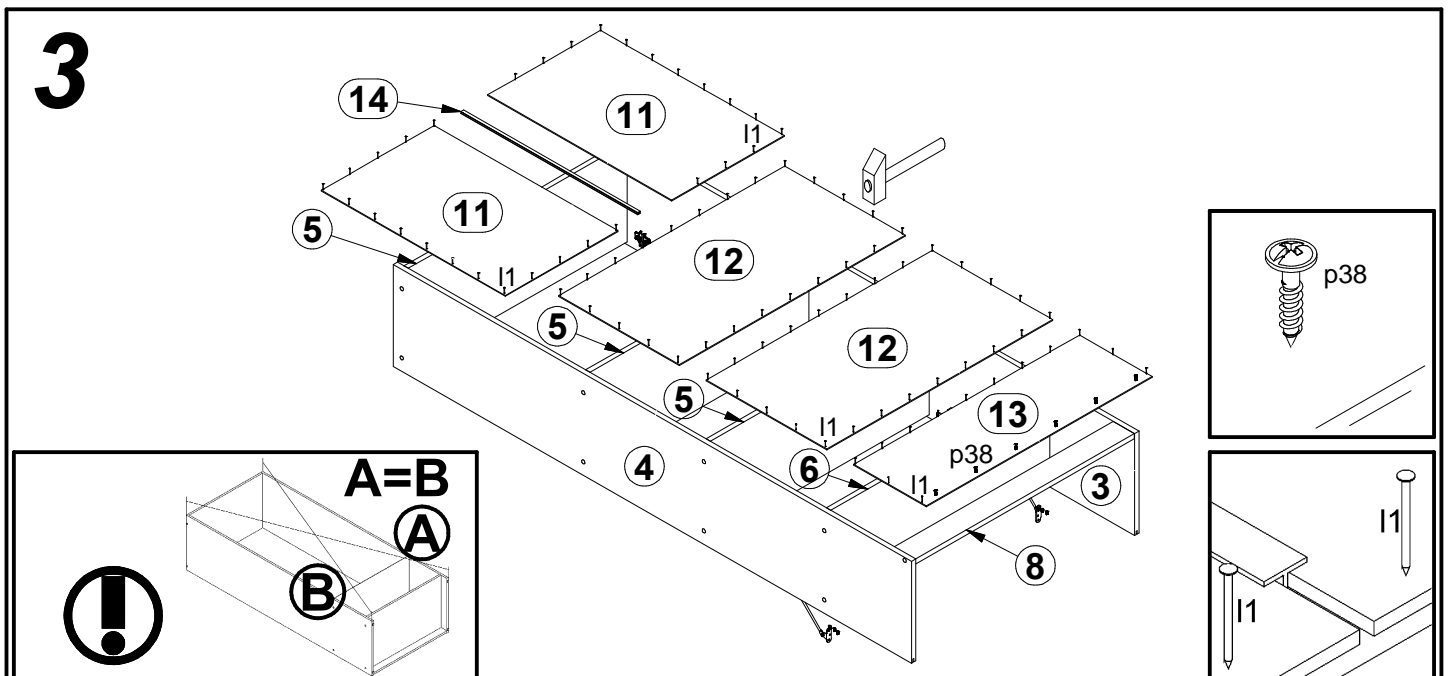
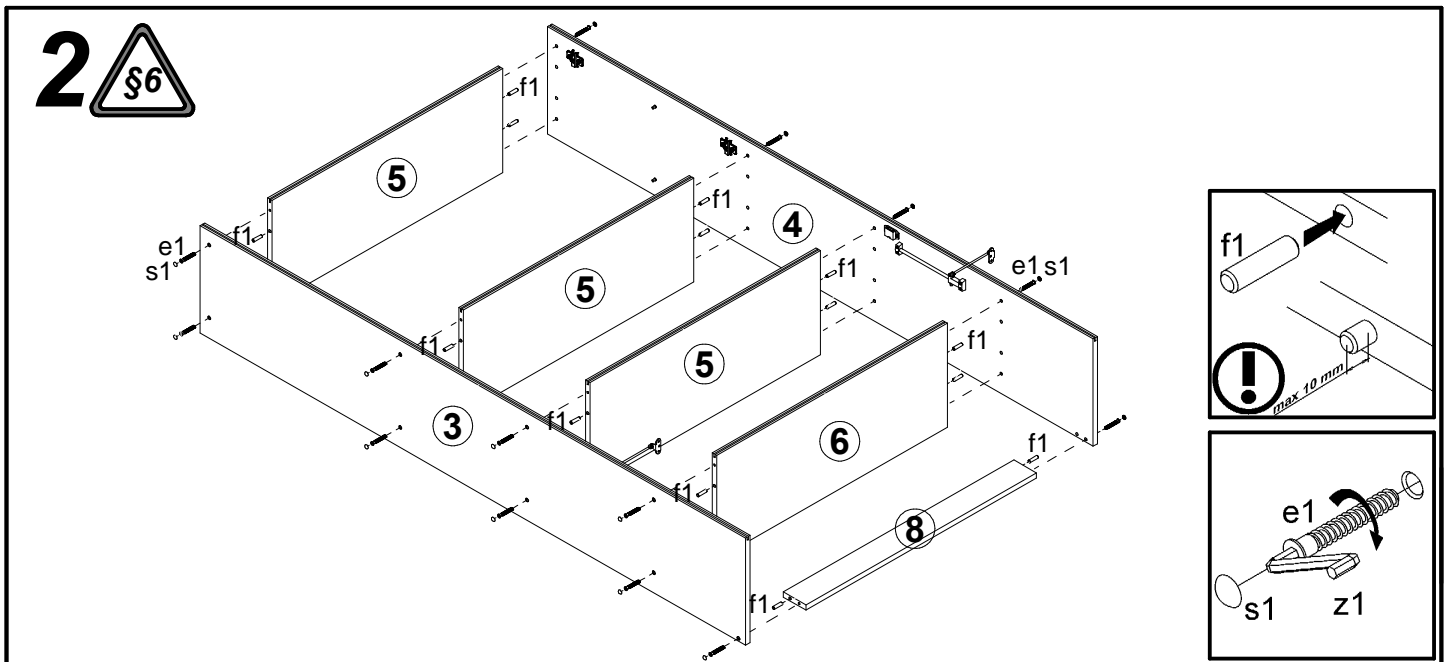
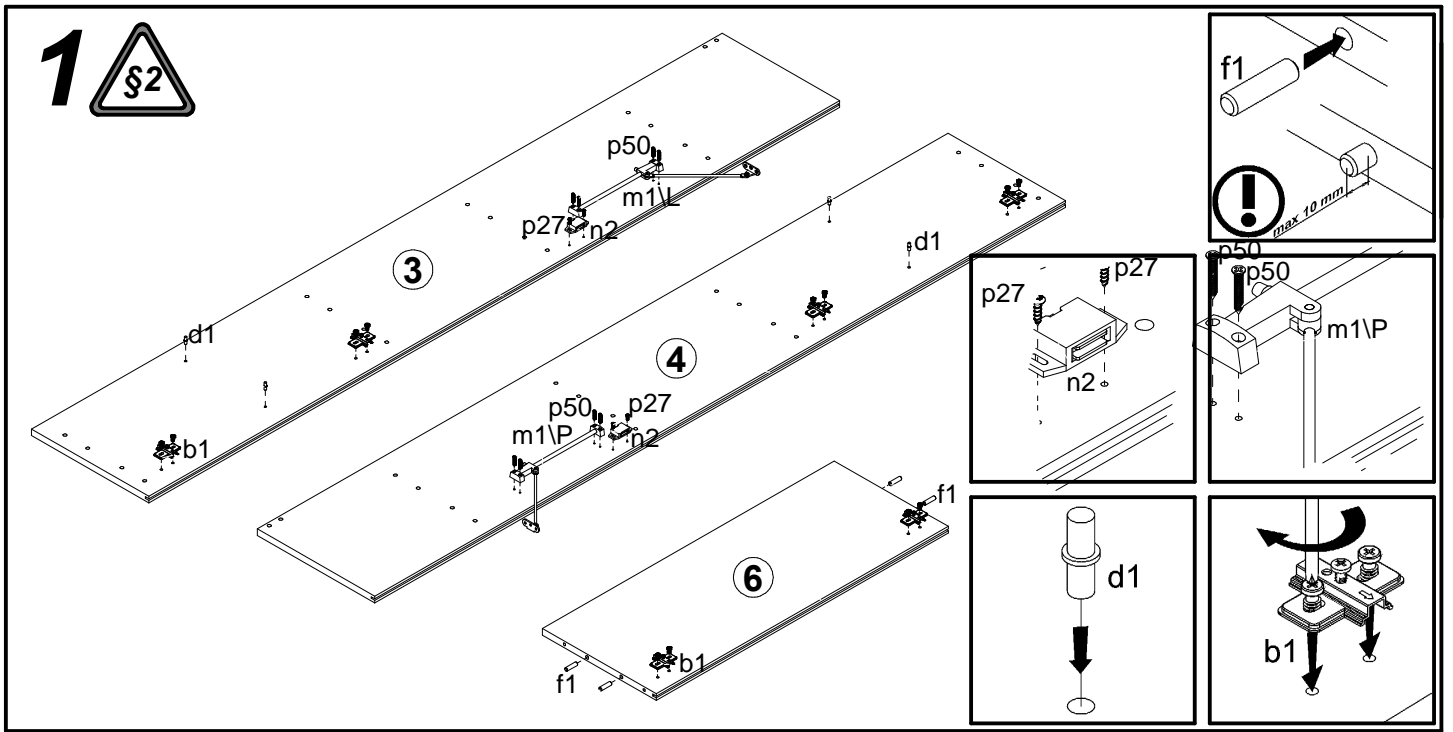
BORYS

Barek

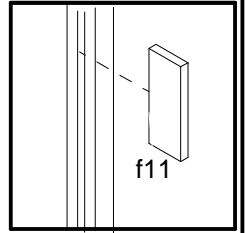
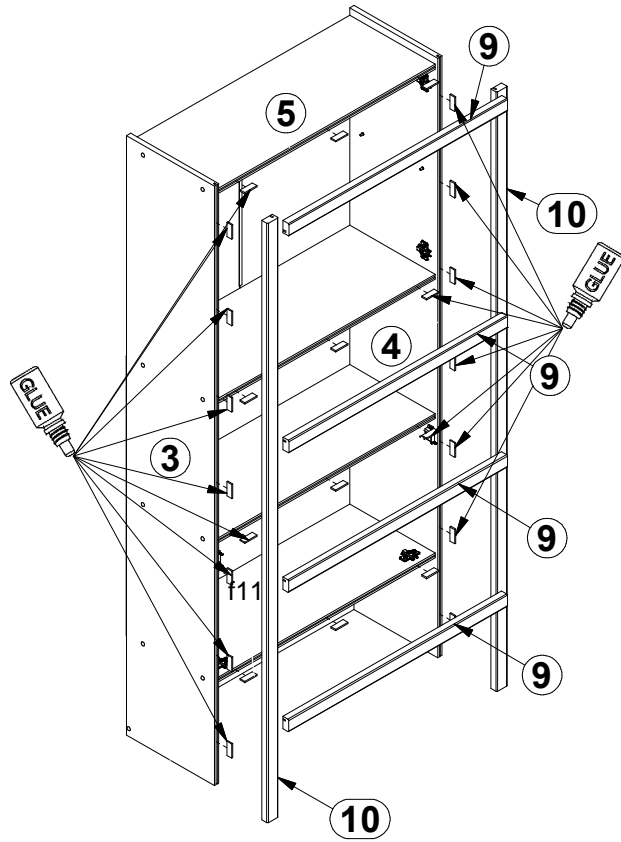
A	B	C	D	
1	BR1-005	658	406	13
2	BR1-007	814	406	13
3	BR1-109	1940	330	12
4	BR1-110	1940	330	12
5	BR1-306	820	320	12
6	BR1-310	820	320	12
7	BR1-319	820	320	12
8	BR1-408	820	80	12
9	BR1-708	819	40	12
10	BR1-711	1940	40	12
11	BR1-911	688	422	13
12	BR1-912	451	846	13
13	BR1-913	272	846	13
14	lh-662	662	14	12



6x a1	6x b1	4x c10\1	8x c10\2	4x d1 φ5x17 mm	18x e1 φ7x50 mm	18x f1 φ8x30 mm	26x f11 4φx18¼ mm	1x f35 φ10x50 mm
70x l1	1x m1\L	1x m1\P	1x n14 81x21x15\1,5mm	2x n2	2x n3 50x12\1,5 mm	2x n52 62x12\1mm	6x p1 φ3,5x13 mm	4x p15 φ2,5x13 mm
1x p17 φ5x60 mm	6x p25 φ3,5x16 mm	8x p26 φ4x35 mm	4x p27 φ3,5x13 mm	8x p38 φ3,5x16 mm	8x p50 φ2,5x24 mm	18x s1	4x s4 φ5	1x y1 GLUE
1x z1								



4



5

