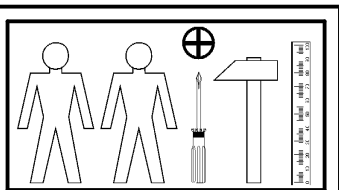
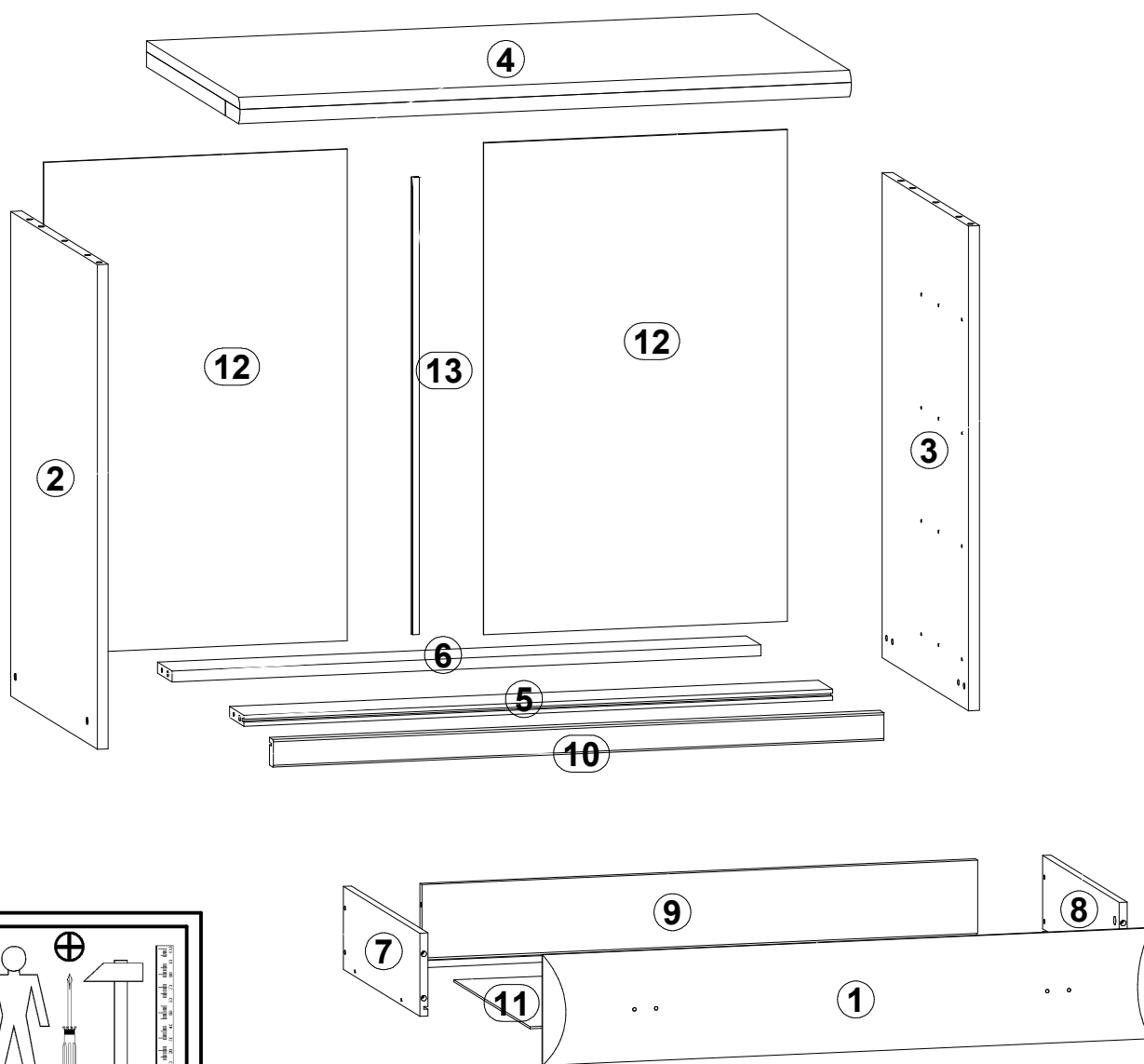
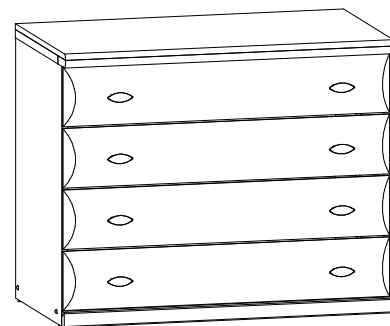


# BORYS

## Komoda 90

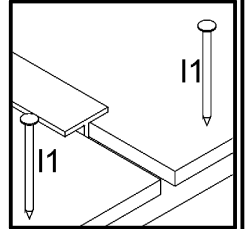
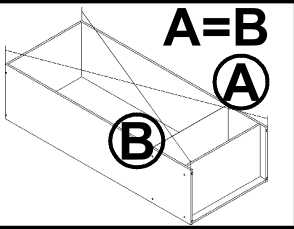
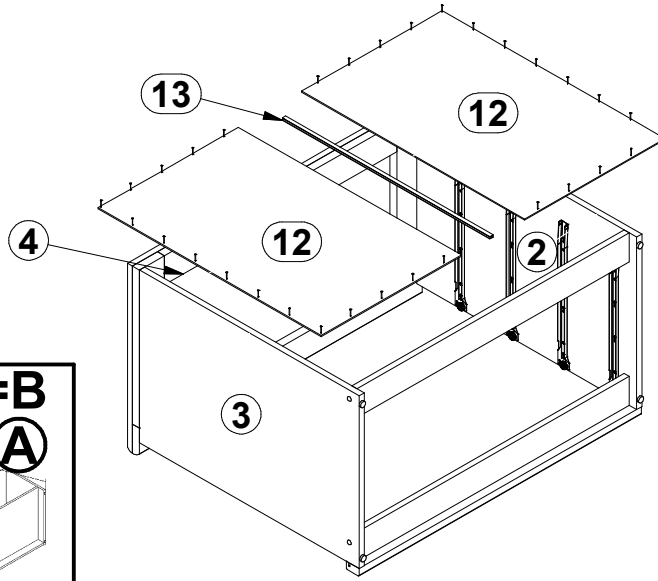
A	B	C	D	
1	BR1-010/A	896	160	23
2	BR1-125/B	700	475	23
3	BR1-126/B	700	475	23
4	BR1-201	900	515	23
5	BR1-405/A	867	80	23
6	BR1-407	867	80	23
7	BR1-506	420	120	23
8	BR1-507	420	120	23
9	BR1-508	818	120	23
10	BR1-714	899	40	23
11	BR1-910/A	829	418	23
12	BR1-919	710	447	23
13	lh-660	660	14	23



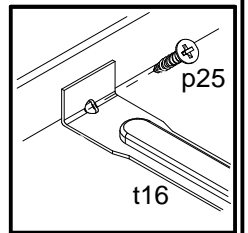
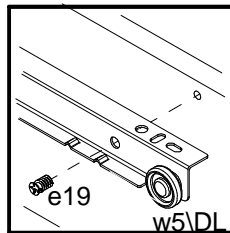
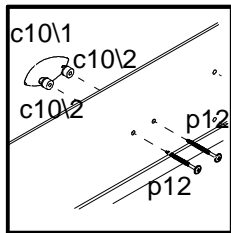
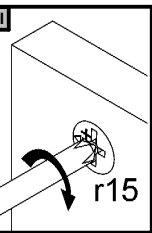
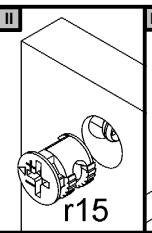
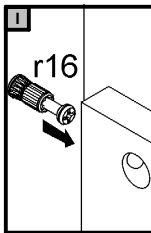
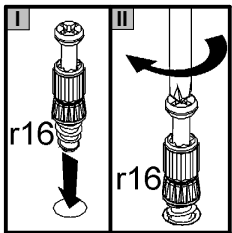
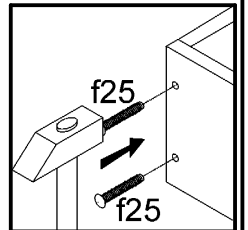
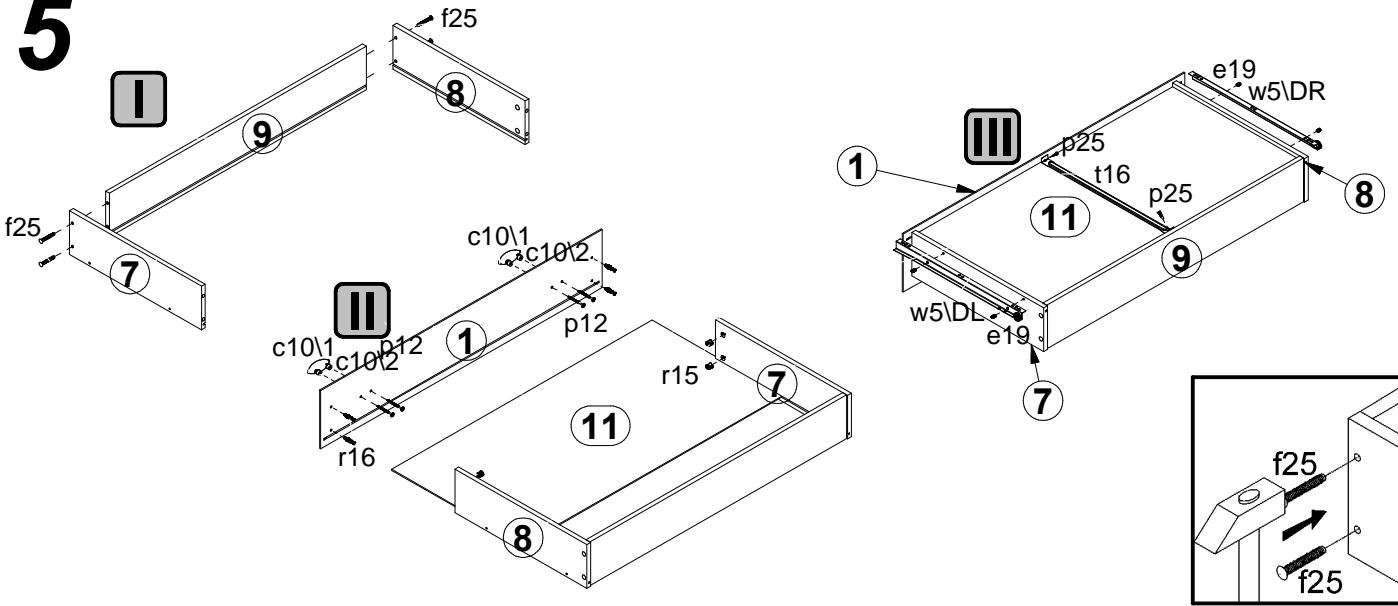
8x c10V1	16x c10V2	4x $\phi 7 \times 50$ mm e1	16x $\phi 5 \times 9$ mm e19	24x $\phi 6 \times 13$ mm e3	14x $\phi 8 \times 30$ mm f1	3x $46 \times 18 \times 4$ mm f11	16x $\phi 6.5 \times 40$ mm f25	4x k1
30x i1	16x $\phi 4 \times 50$ mm p12	8x $\phi 3.5 \times 16$ mm p25	16x $\phi 12 \times 10.5$ mm #12 r15	16x r16	4x s1	4x 403 mm t16	4x 400 mm w5\CL	4x 400 mm w5\CR
4x 400 mm w5\DL	4x 400 mm w5\DR	1x GLUE y1	1x z1					



# 4



# 5



# 6

