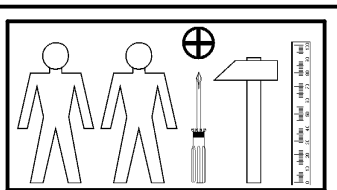
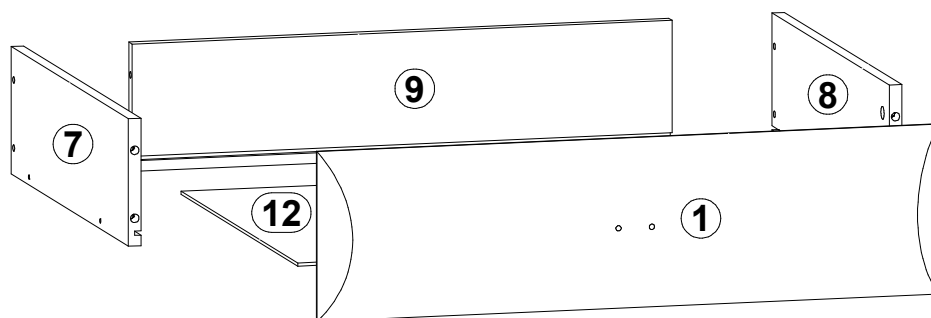
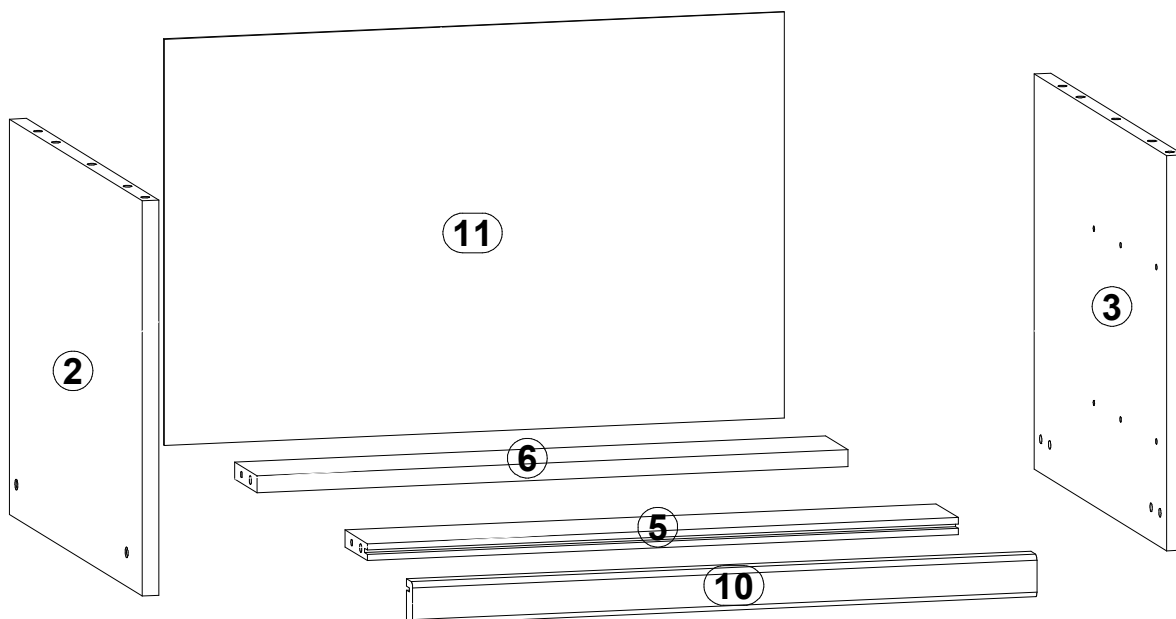
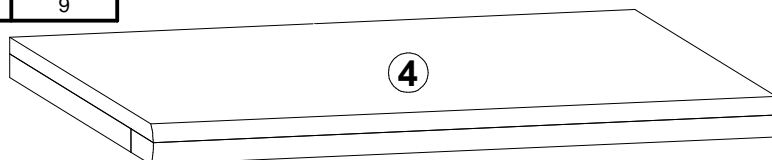
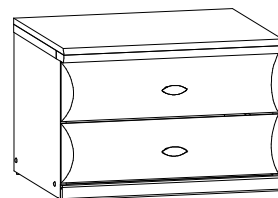


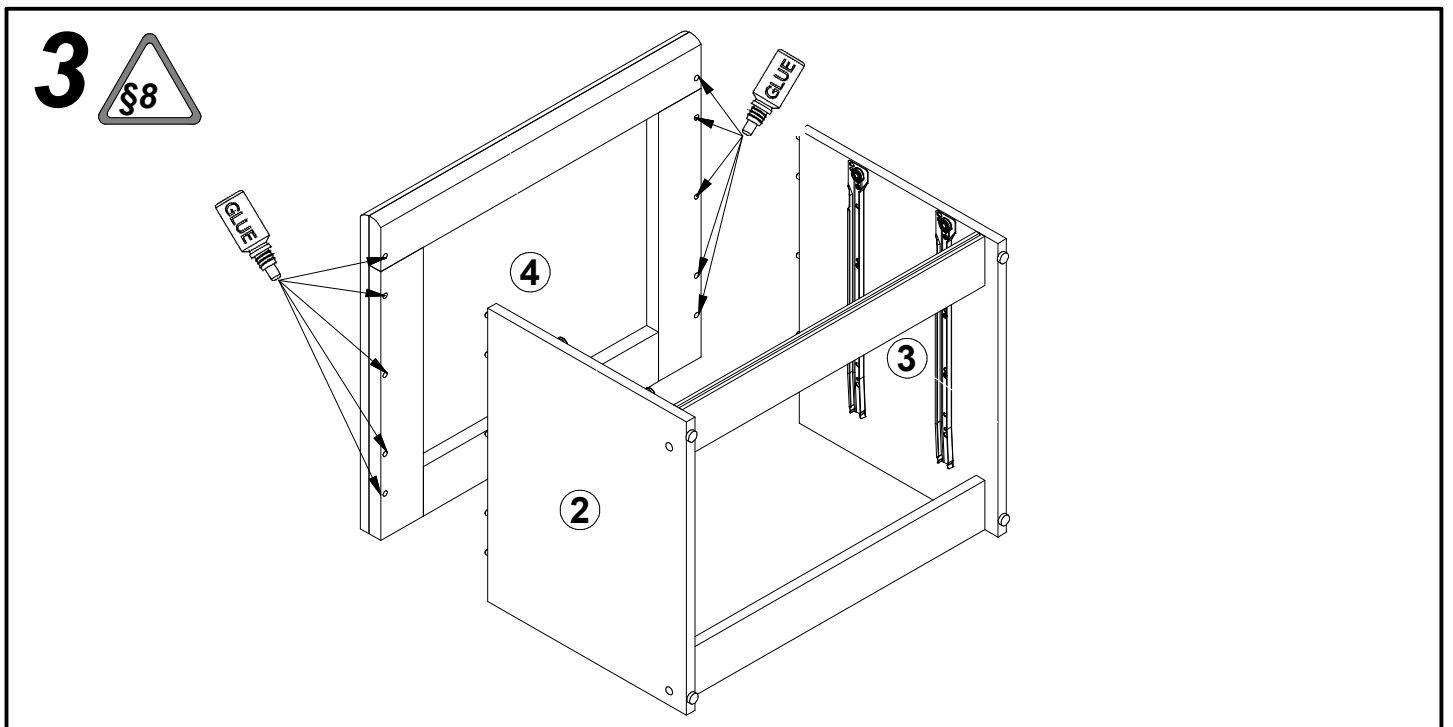
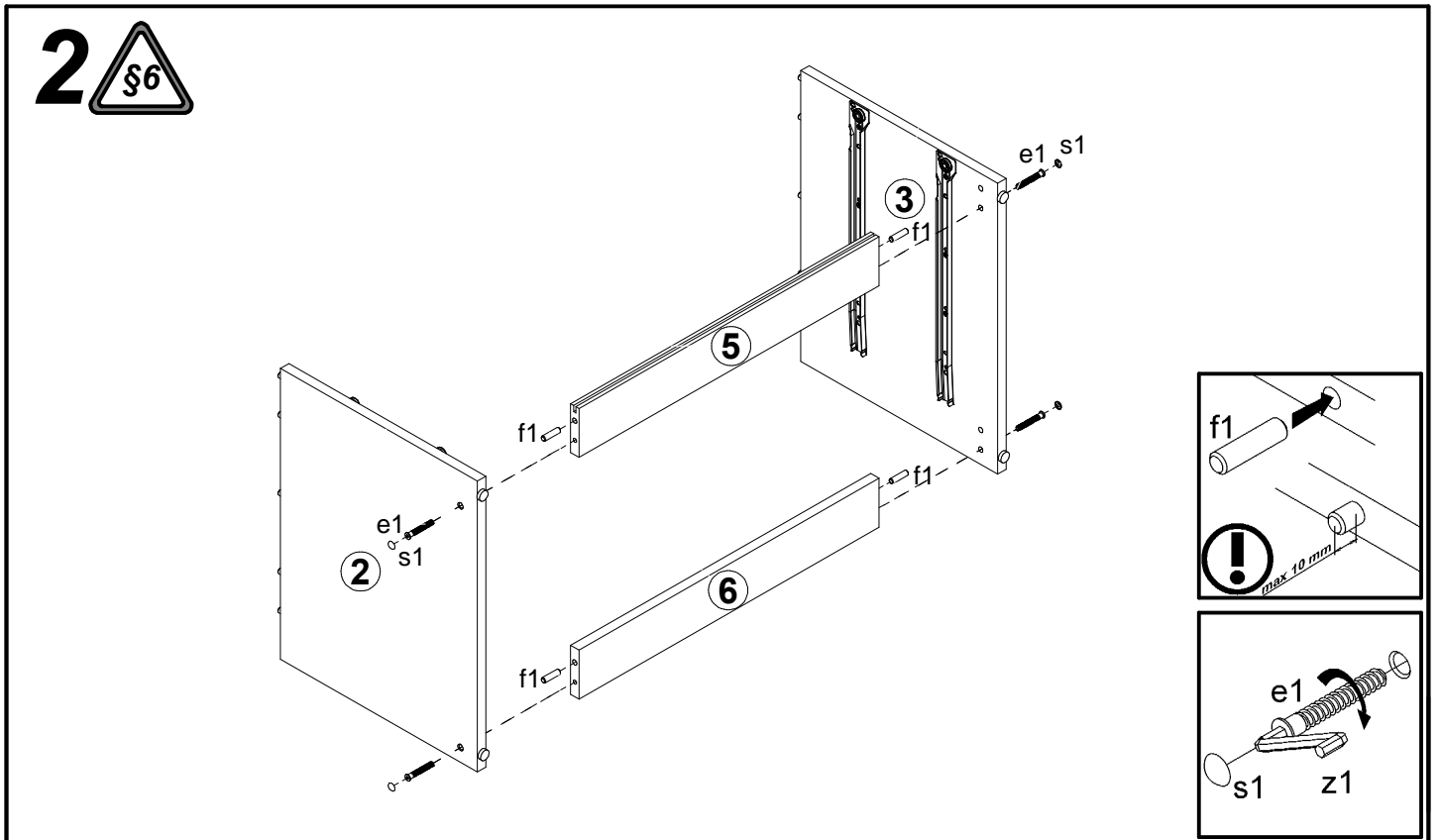
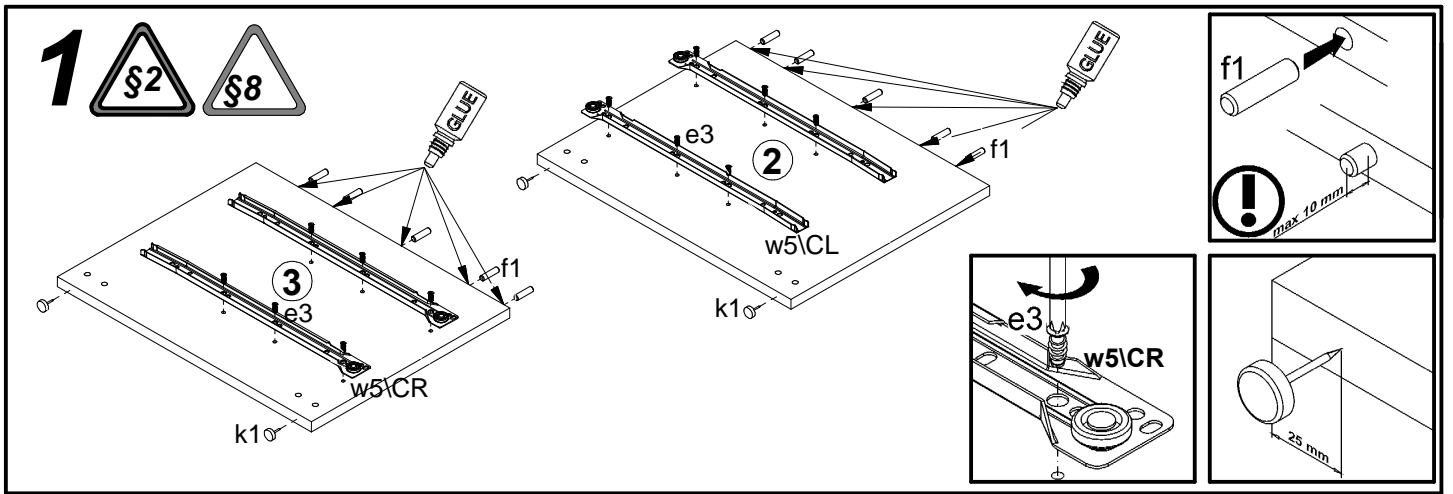
# BORYS

## Podstawka 60

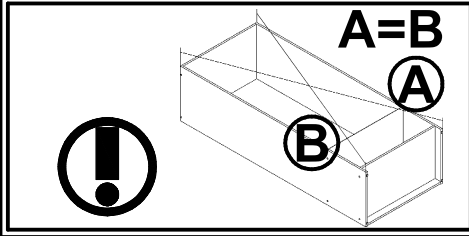
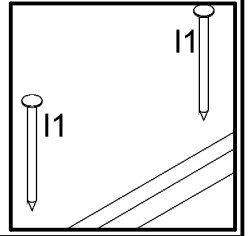
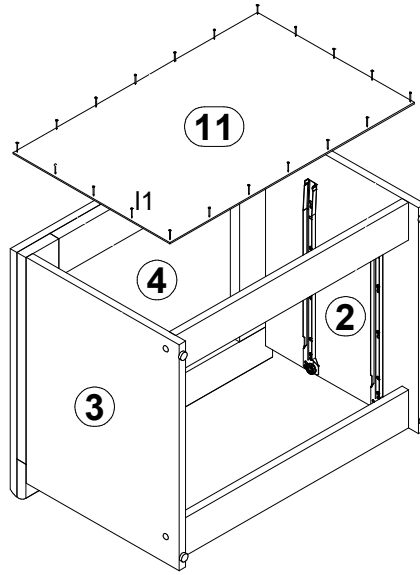
A	B	C	D
1	BR1-011/A	596	160
2	BR1-107/B	372	475
3	BR1-108/B	372	475
4	BR1-202	600	515
5	BR1-404/A	567	80
6	BR1-406	567	80
7	BR1-506	420	120
8	BR1-507	420	120
9	BR1-509	518	120
10	BR1-713	599	40
11	BR1-907	382	595
12	BR1-908/A	529	418



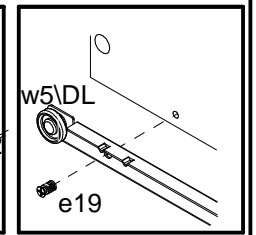
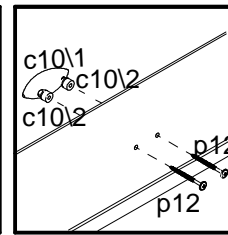
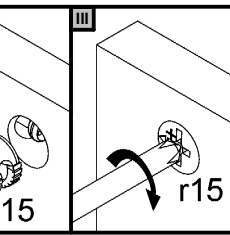
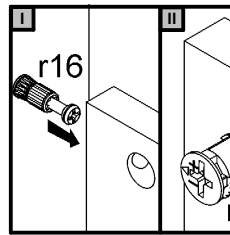
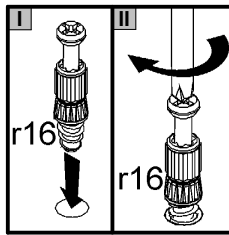
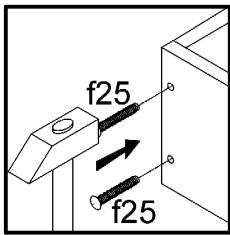
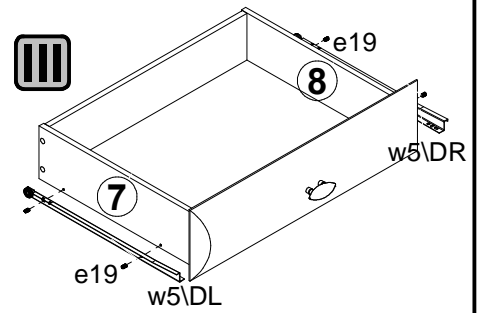
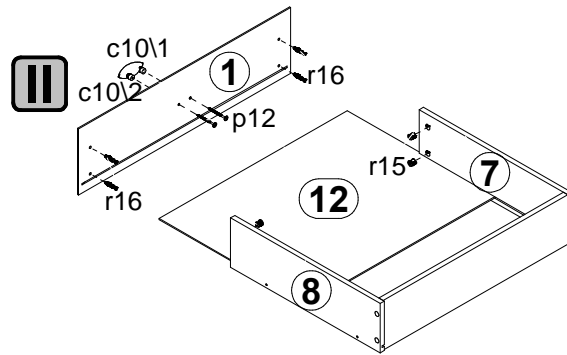
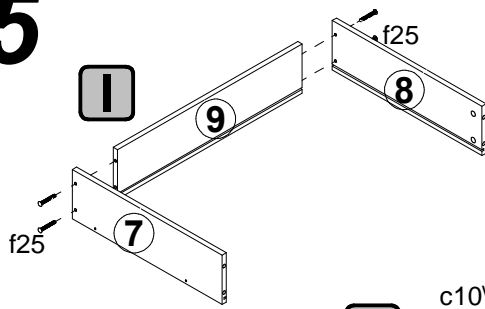
2x  c10V1	4x  c10V2	4x  φ7x50 mm e1	8x  φ5x9 mm e19	12x  φ6x13 mm e3	14x  φ8x30 mm f1	3x  46x18¼ mm f11	8x  φ6.5x40 mm f25	4x  k1
20x  i1	4x  φ4x50 mm p12	8x  φ12x10.5mm #12 r15	8x  r16	4x  s1	2x  400 mm w5ICL	2x  400 mm w5ICR	2x  400 mm w5IDL	2x  400 mm w5IDR
1x  y1								



# 4



# 5



# 6

