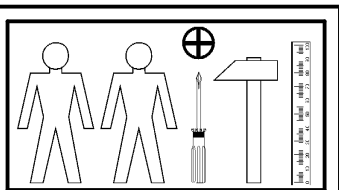
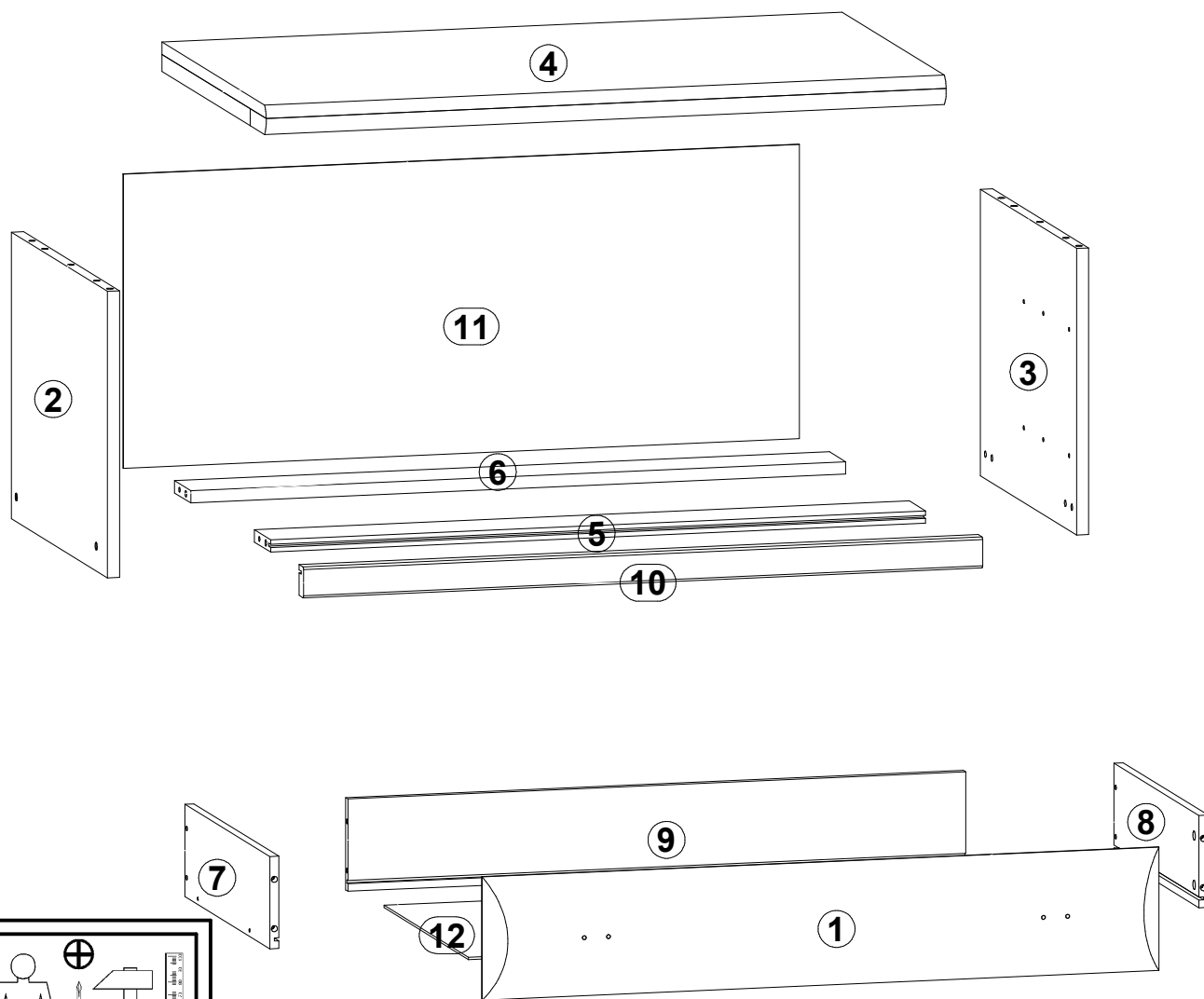
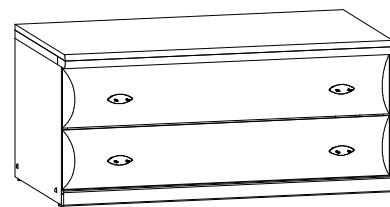


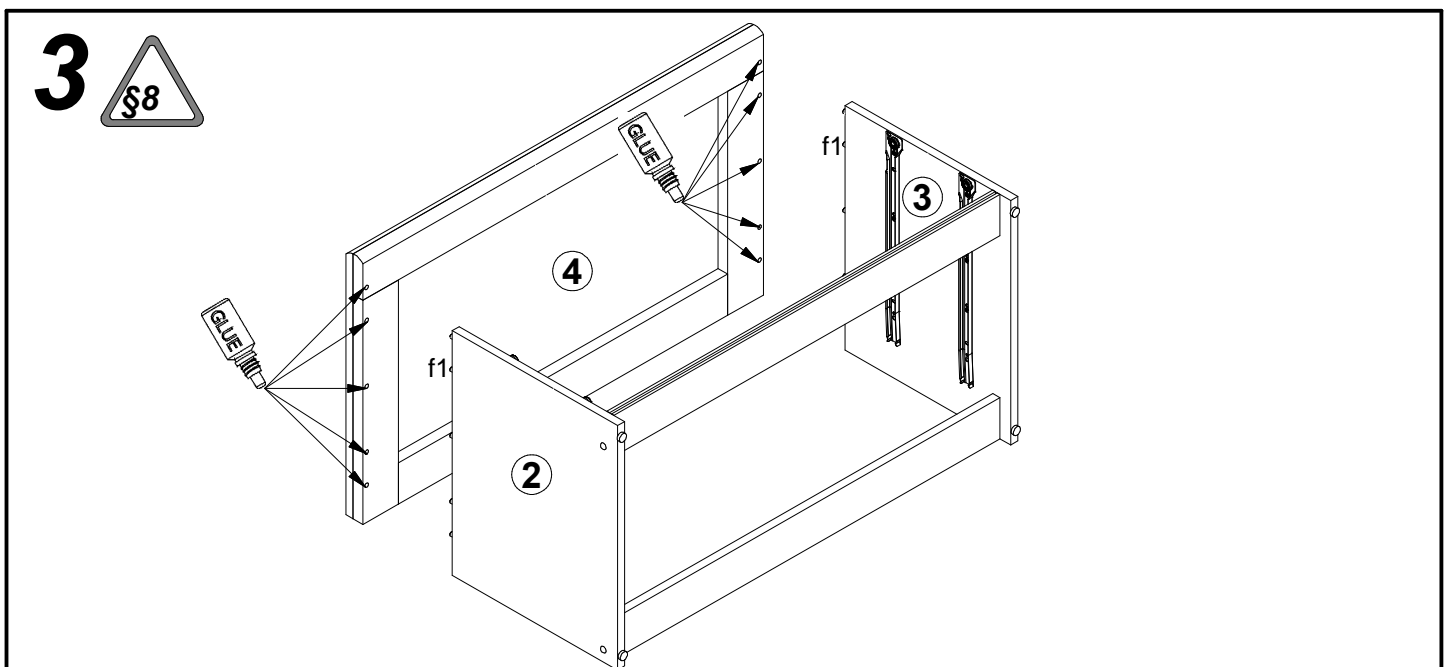
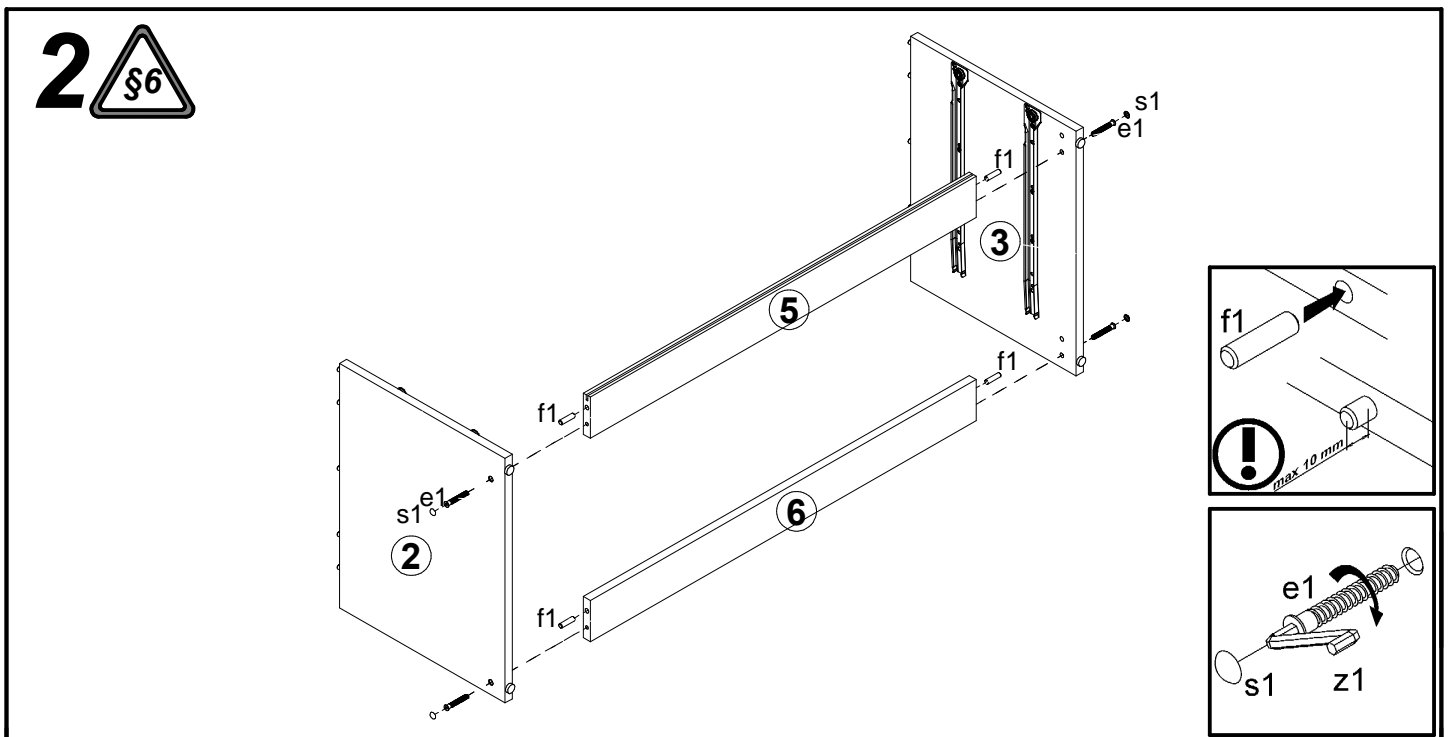
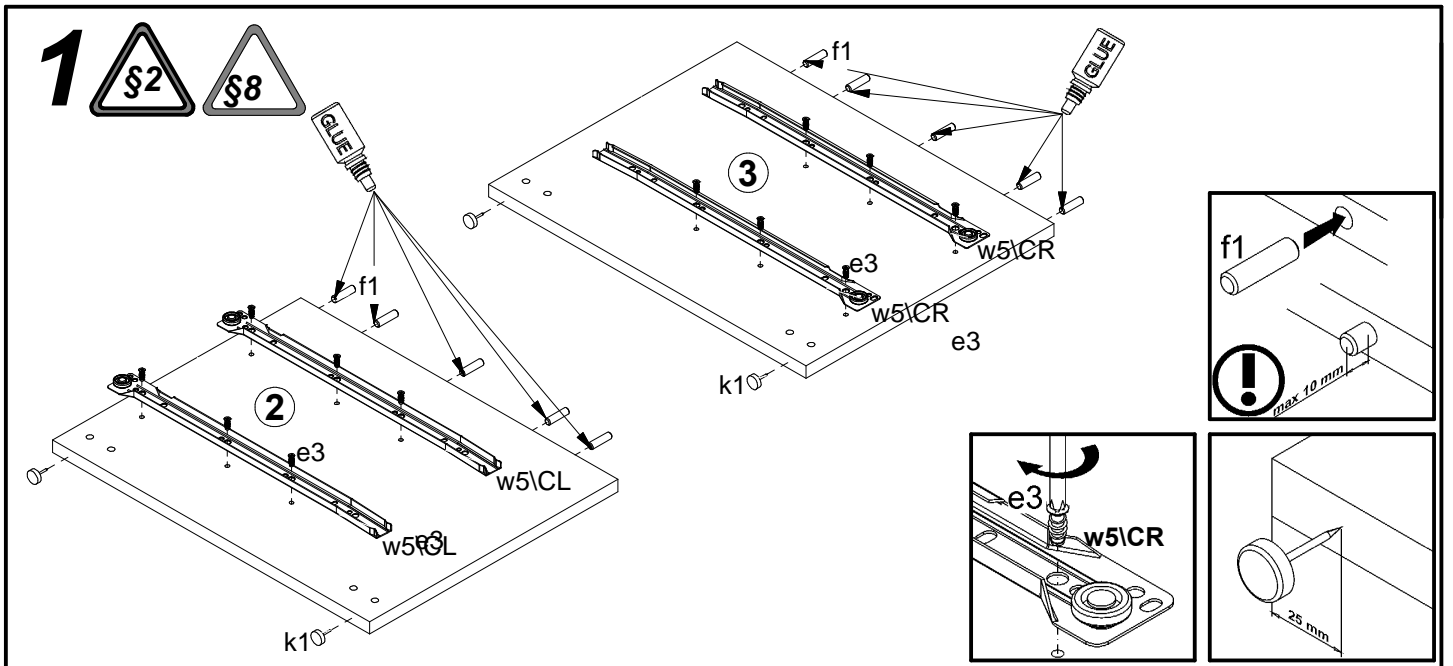
# BORYS

# Podstawka 90

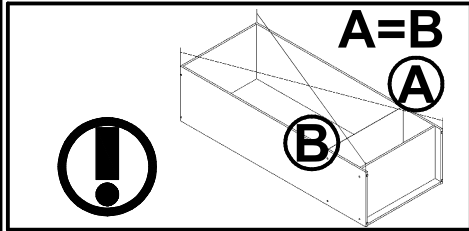
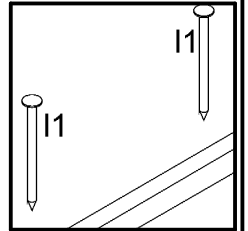
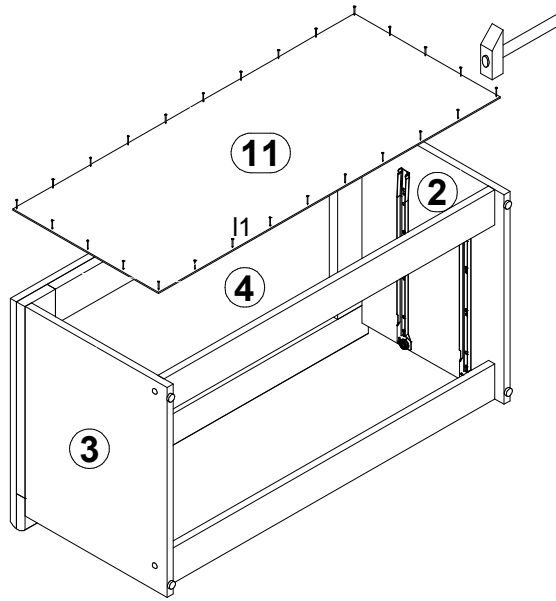
A	B	C	D	
1	BR1-010/A	896	160	10
2	BR1-107/B	372	475	11
3	BR1-108/B	372	475	11
4	BR1-201	900	515	11
5	BR1-405/A	867	80	11
6	BR1-407	867	80	11
7	BR1-506	420	120	11
8	BR1-507	420	120	11
9	BR1-508	818	120	11
10	BR1-714	899	40	11
11	BR1-909	382	895	11
12	BR1-910/A	829	418	11



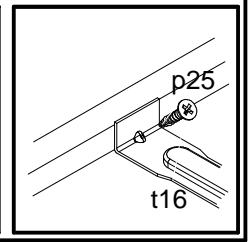
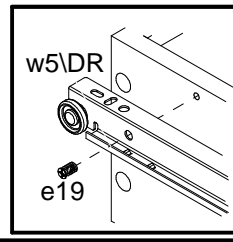
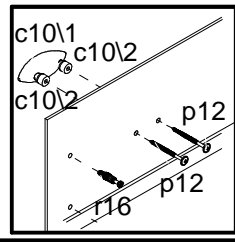
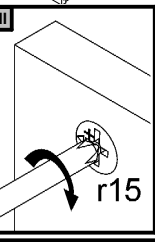
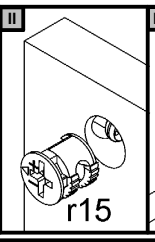
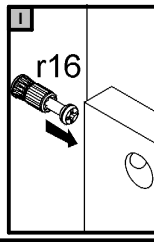
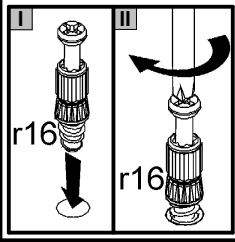
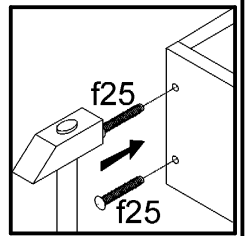
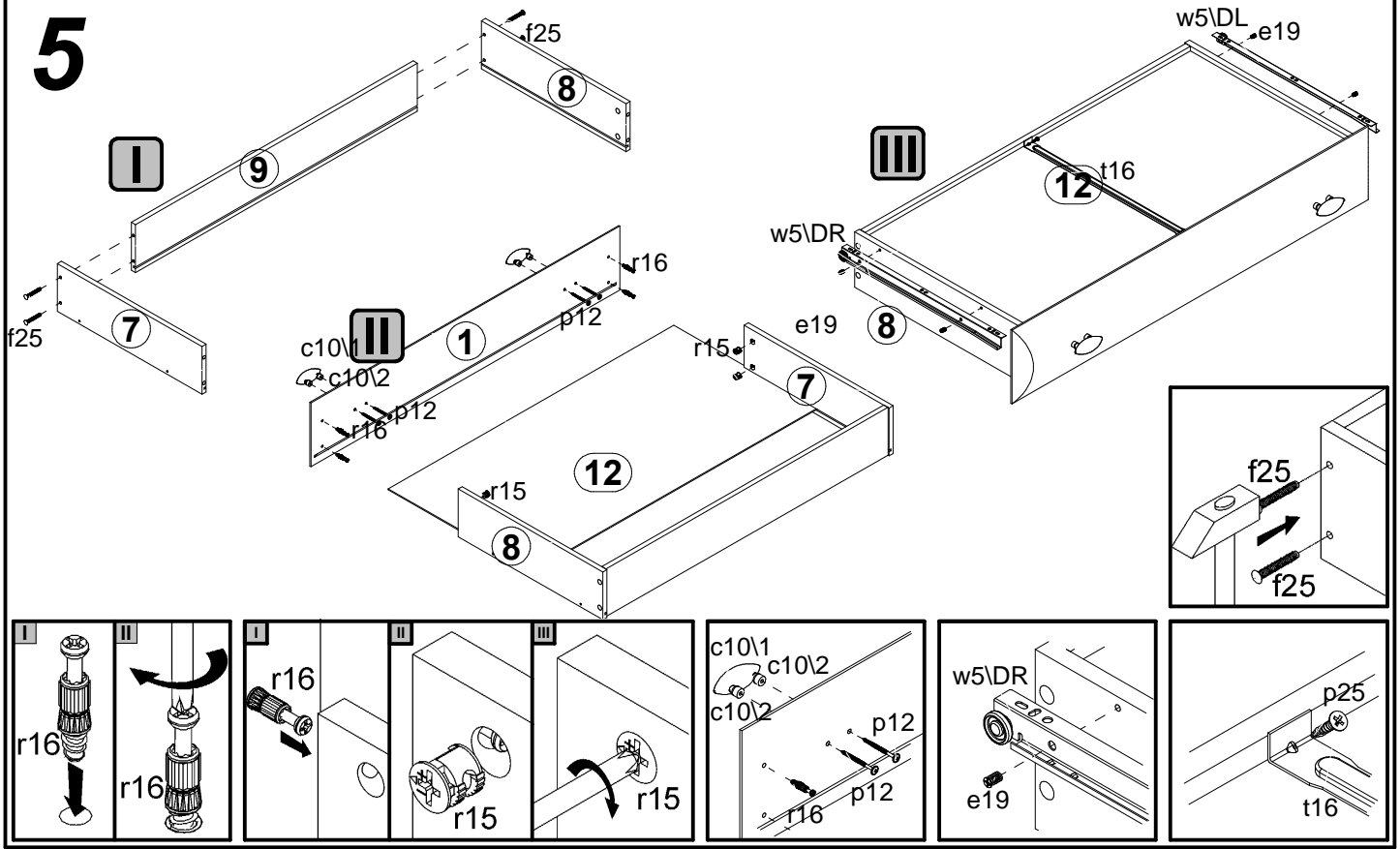
4x c10\1	8x c10\2	4x $\phi 7 \times 50$ mm e1	8x $\phi 5 \times 9$ mm e19	12x $\phi 6 \times 13$ mm e3	14x $\phi 8 \times 30$ mm f1	3x 46x18\4 mm f11	8x $\phi 6.5 \times 40$ mm f25	4x k1
25x l1	4x $\phi 3.5 \times 16$ mm p25	8x $\phi 4 \times 50$ mm p12	8x $\phi 12 \times 10.5$ mm #12 r15	8x r16	4x s1	2x 403 mm t16	2x 400 mm w5\CL	2x 400 mm w5\CR
2x 400 mm w5\DL	2x 400 mm w5\DR	1x GLUE y1	1x z1					



# 4



# 5



# 6

