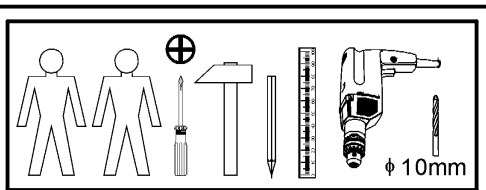
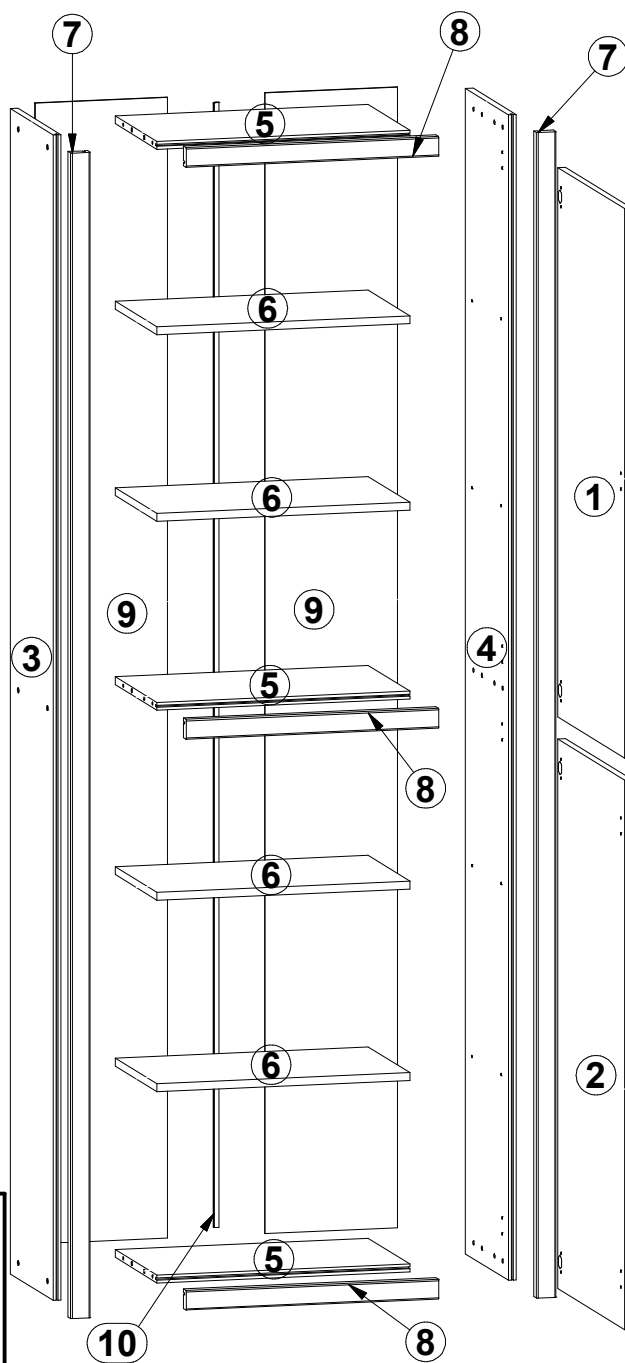
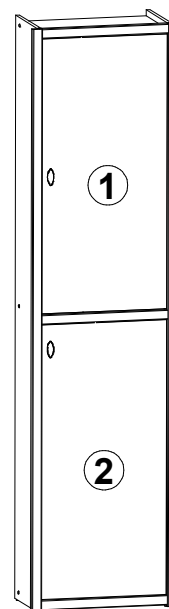
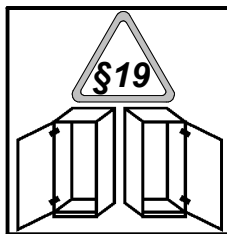


# BORYS

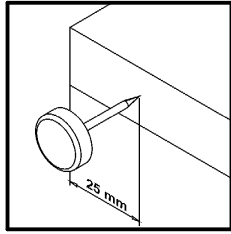
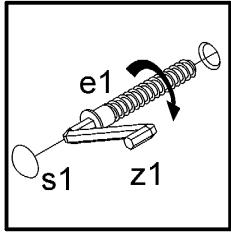
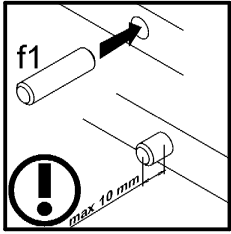
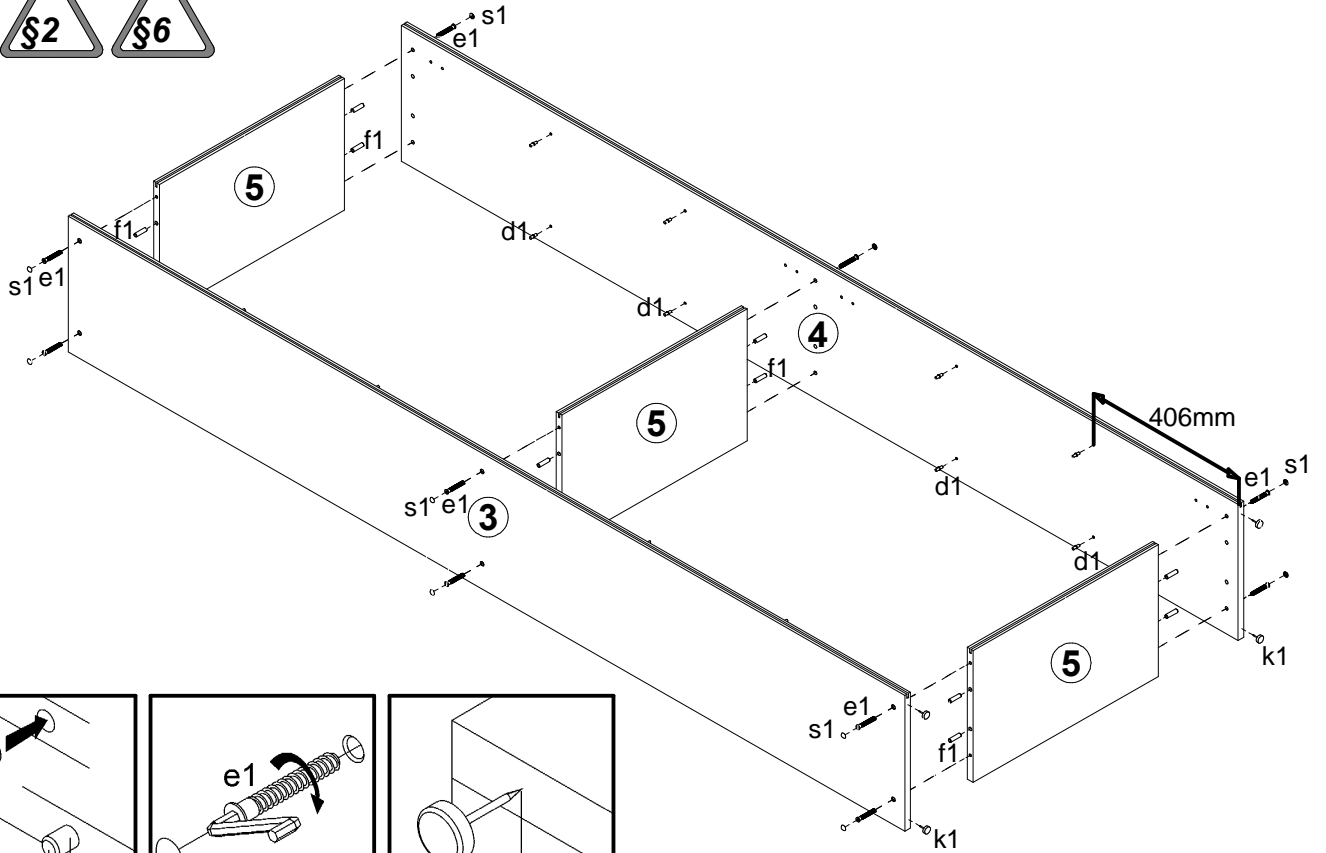
# Słupek

A	B	C	D
1	BR1-008	1108	514
2	BR1-009	1108	514
3	BR1-116	2350	330
4	BR1-117	2350	330
5	BR1-307	520	320
6	BR1-322	520	320
7	BR1-707	2350	40
8	BR1-712	519	40
9	BR1-916	2300	272
10	lh-2268	2268	14

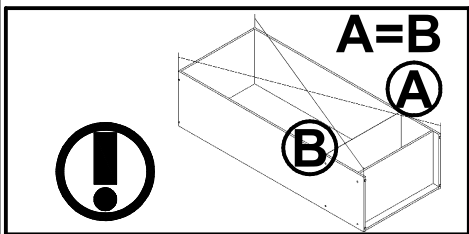
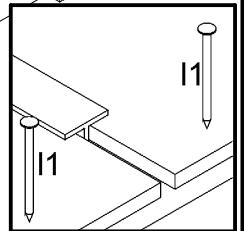
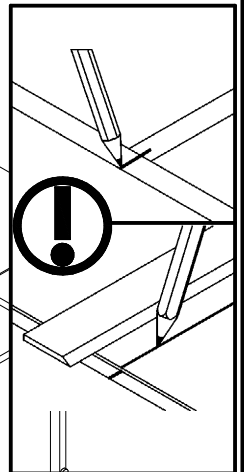
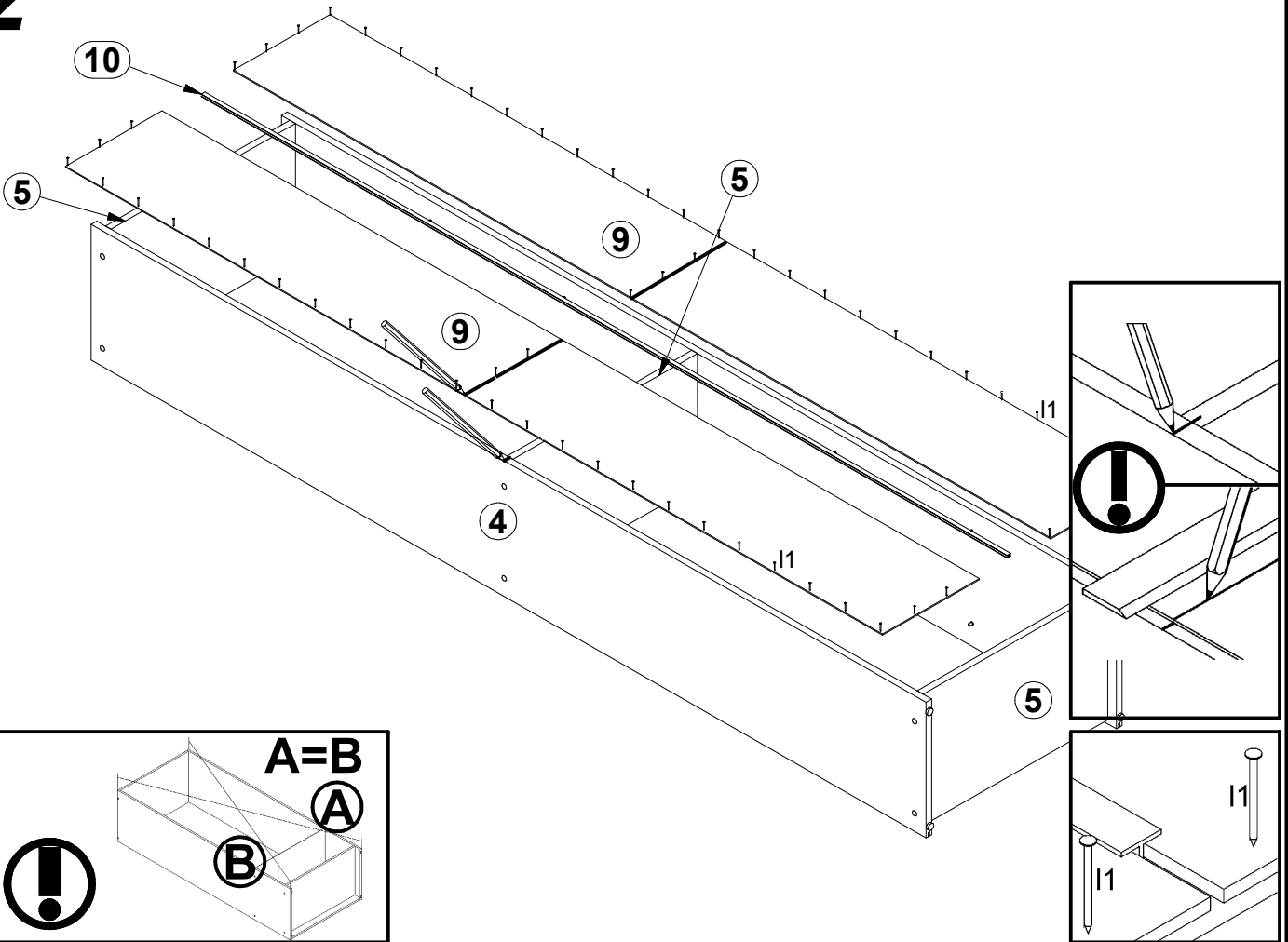


4x  a1	4x  b1	2x  c10V1	4x  c10V2	16x  d1	12x  e1	12x  f1	23x  f11	1x  f35
4x  k1	70x  l1	1x  n14	1x  p17	4x  p26	2x  p38	12x  s1	10x  s4	1x  y1
1x  z1								

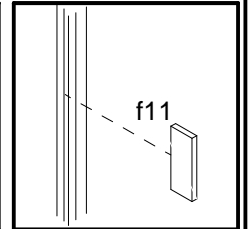
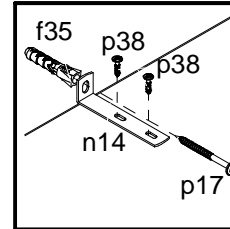
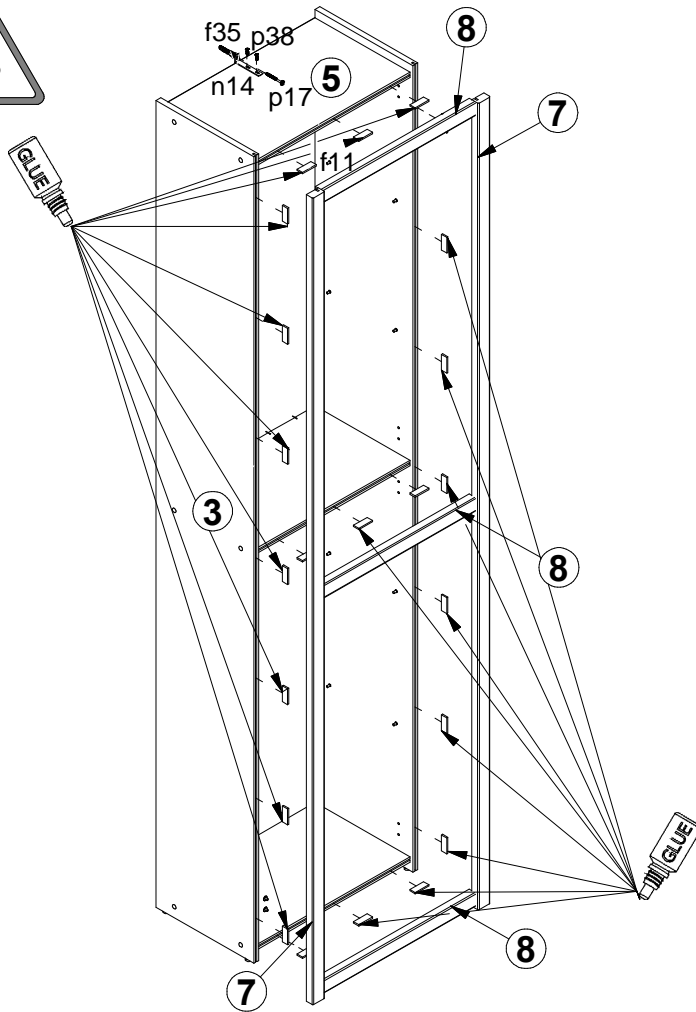
# 1



# 2



# 3



# 4

