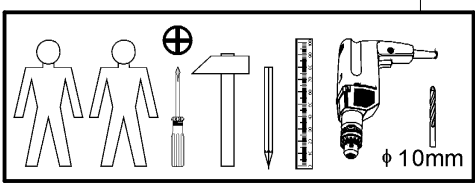
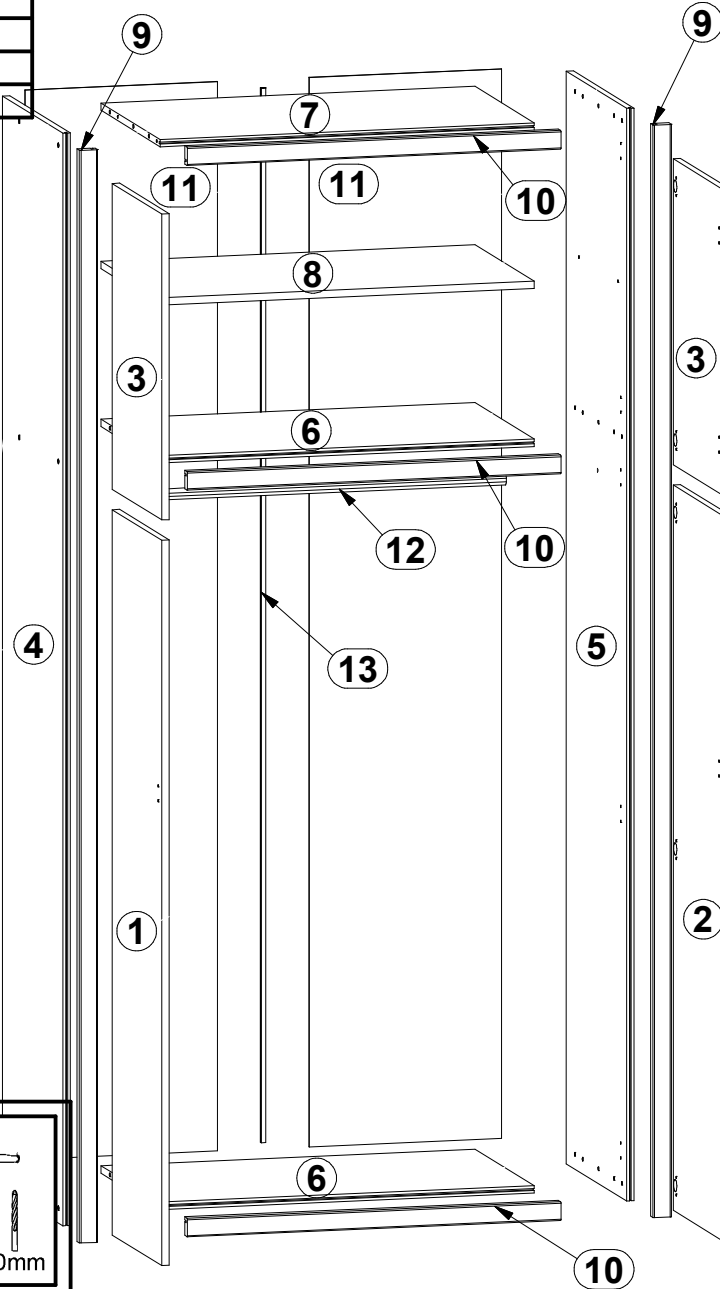
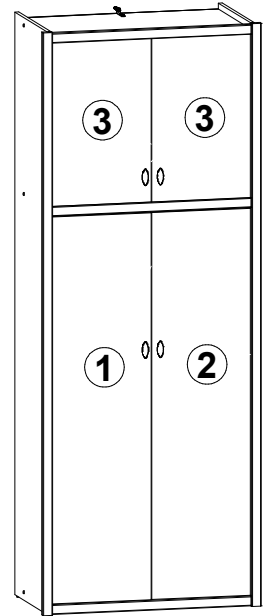


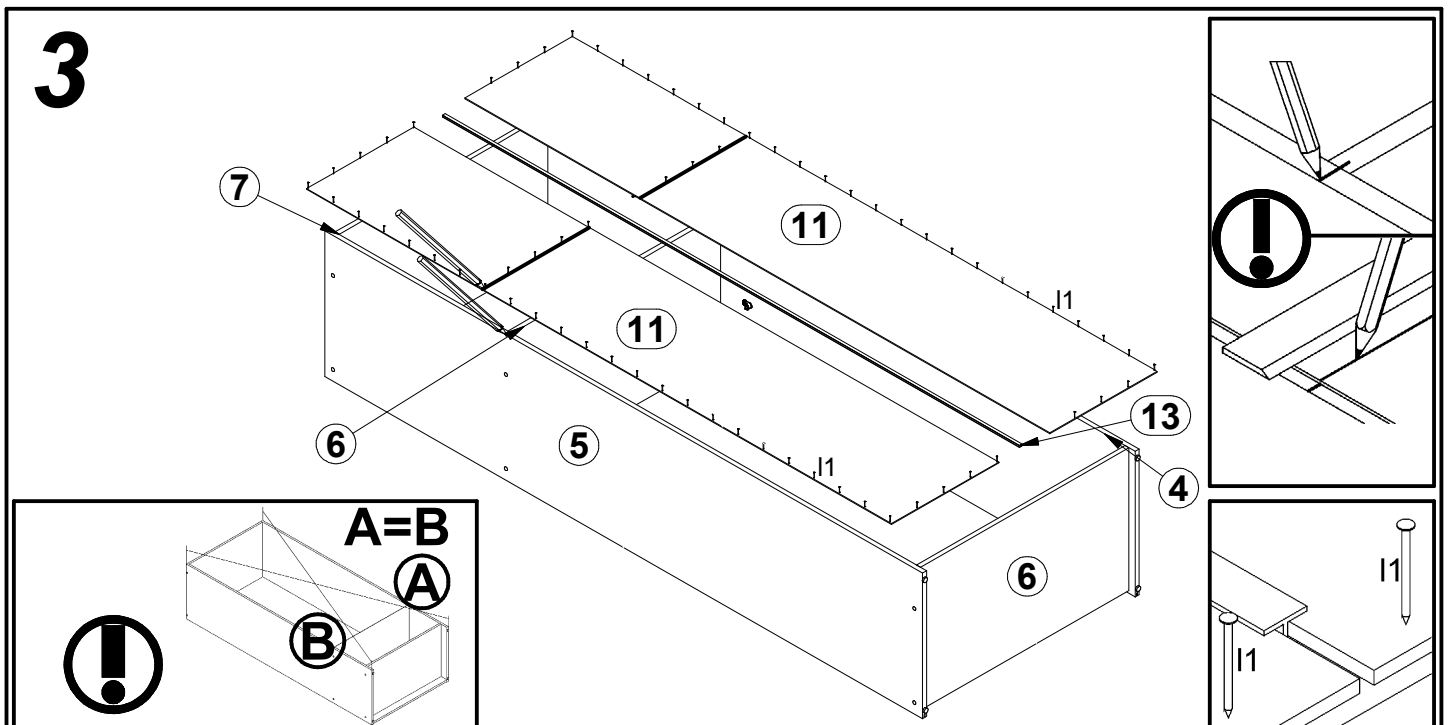
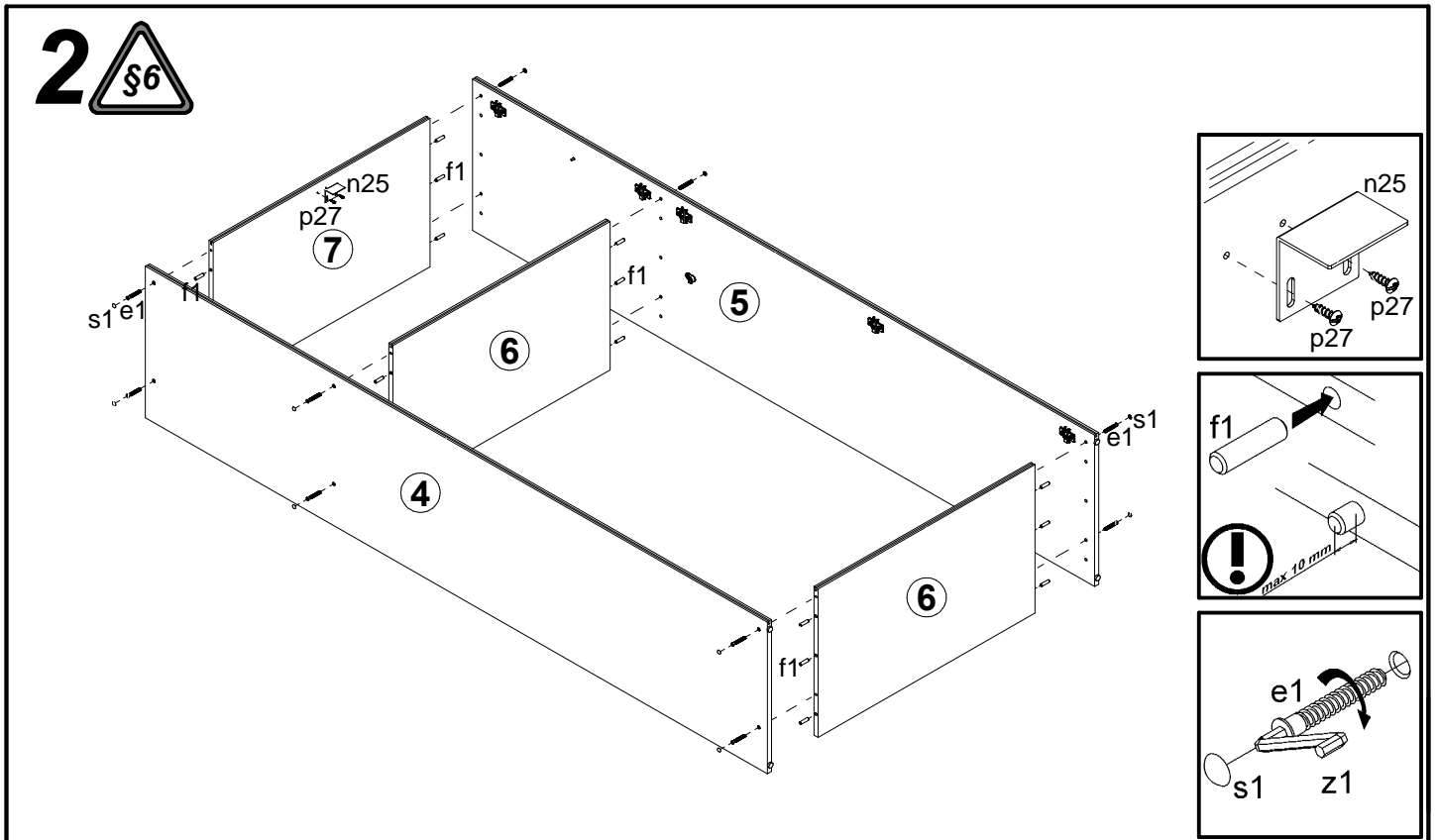
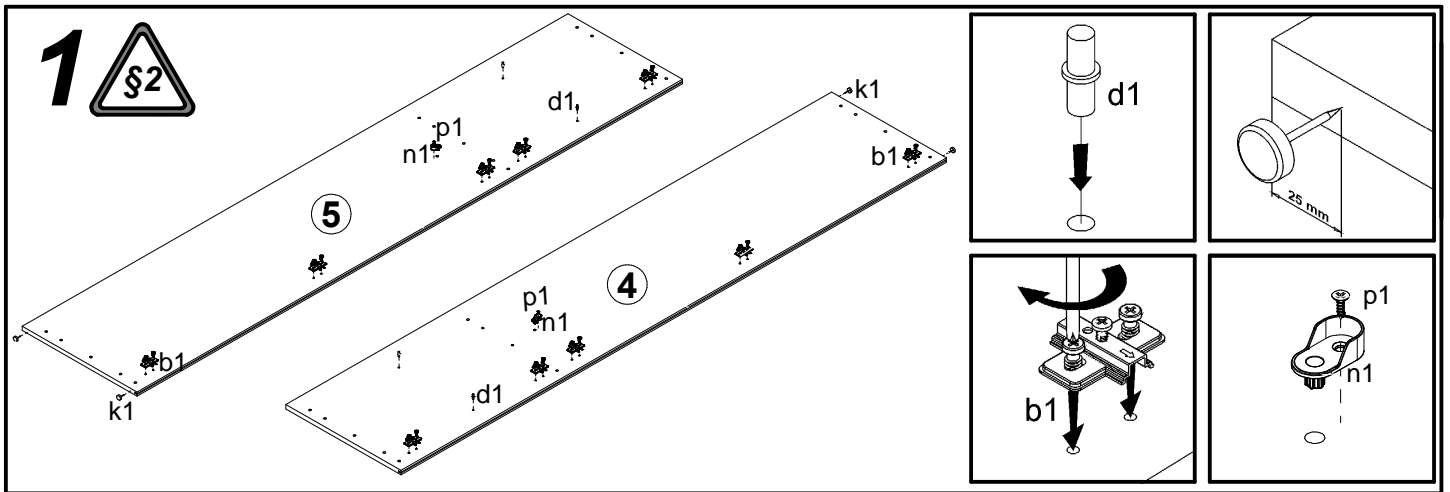
BORYS

Szafa

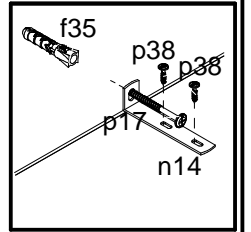
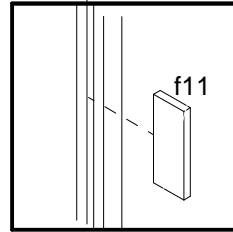
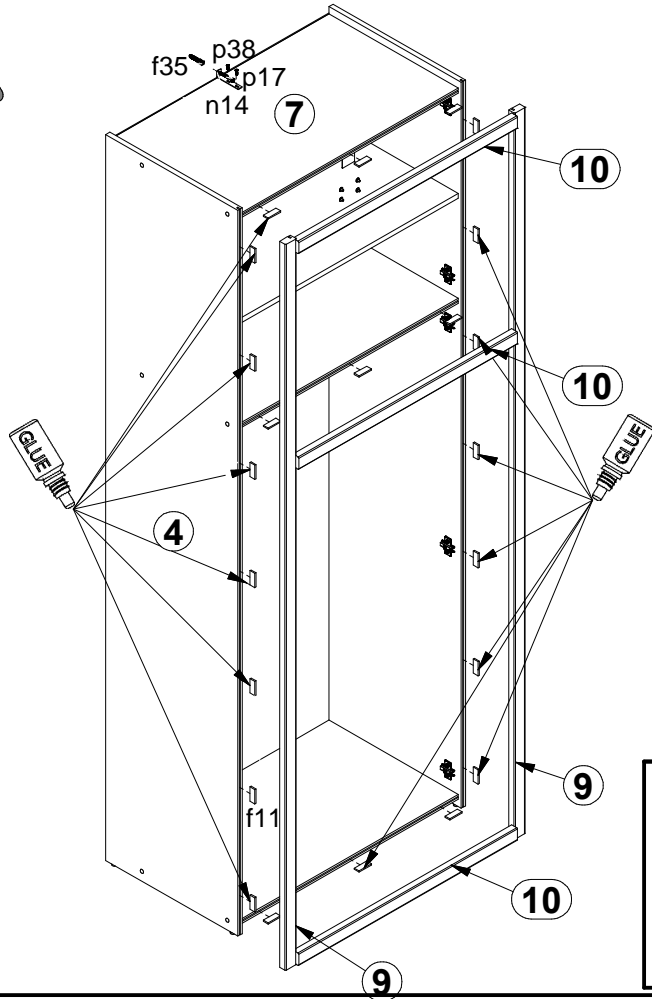
A	B	C	D	
1	BR1-003	1560	406	2
2	BR1-004	1560	406	2
3	BR1-005	658	406	2
4	BR1-101	2350	495	1
5	BR1-102	2350	495	1
6	BR1-304	820	485	1
7	BR1-305	820	485	1
8	BR1-320	820	485	1
9	BR1-707	2350	40	1
10	BR1-708	819	40	1
11	BR1-901	2300	422	1
12	dr-812	812	22	1
13	lh-2268	2268	14	1



10x a1	10x b1	4x c10/1	8x c10/2	4x d1 φ5x17 mm	12x e1 φ7x50 mm	18x f1 φ8x30 mm	23x f11 46x18/4 mm	1x f35 φ10x50 mm
4x k1	70x l1	2x n1	1x n14 81x21x15/1,5mm	1x n25 40x46x30/1,5mm	2x p1 φ3,5x13 mm	1x p17 φ5x60 mm	8x p26 φ4x35 mm	2x p27 φ3,5x13 mm
2x p38 φ3,5x16 mm	12x s1	4x s4 ø5	1x y1 GLUE	1x z1				



4



5

