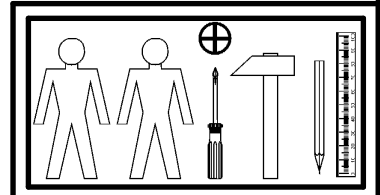
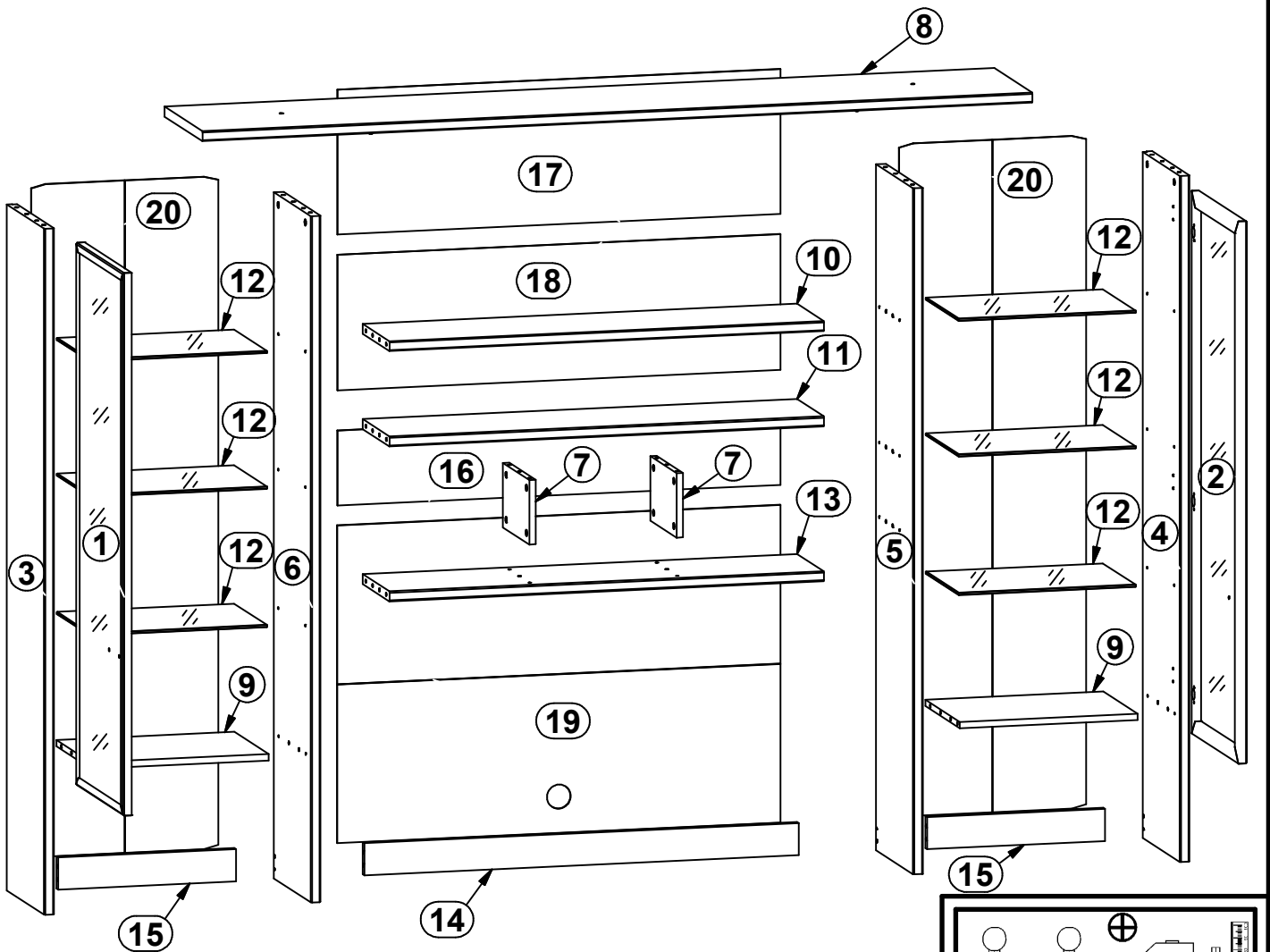
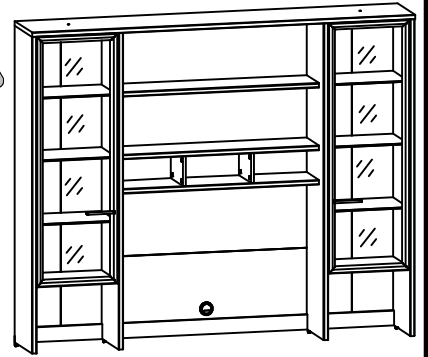


Compact

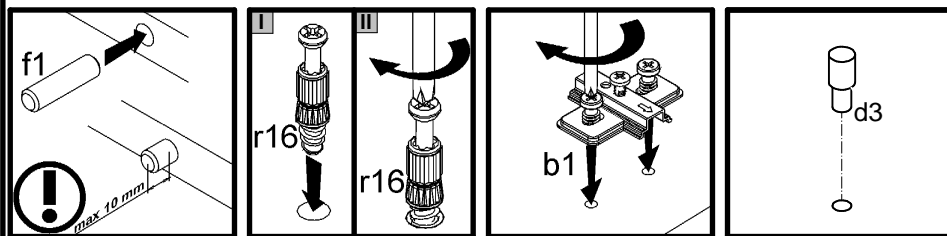
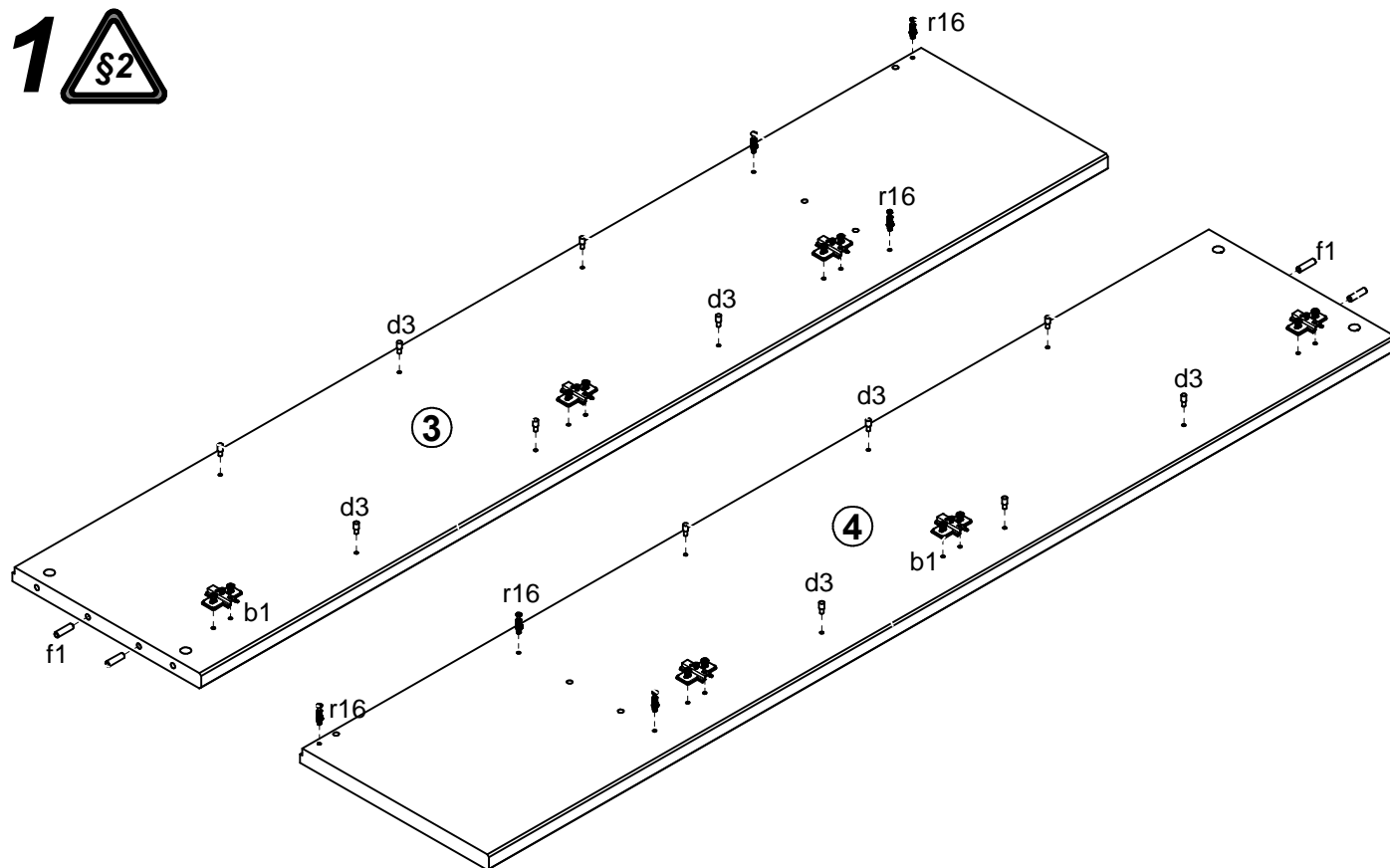
S76-NAD2W_18_21

A	B	C	D	A	B	C	D		
1	S76-007	1348	444	4/4	11	S76-305	1099	255	3/4
2	S76-008	1348	444	4/4	12	S76-306	449	310	2/4
3	S76-107	1705	355	1/4	13	S76-307	1099	255	3/4
4	S76-108	1705	355	1/4	14	S76-401	1099	80	3/4
5	S76-109	1705	351	1/4	15	S76-402	450	80	3/4
6	S76-110	1705	351	1/4	16	S76-904	1121	186	3/4
7	S76-111	160	250	3/4	17	S76-905	1121	360	4/4
8	S76-205	2100	360	3/4	18	S76-906	1121	337	3/4
9	S76-303	450	324	3/4	19	S76-9902	1121	789	4/4
10	S76-304	1099	255	3/4	20	S76-9903	1671	473	1/4

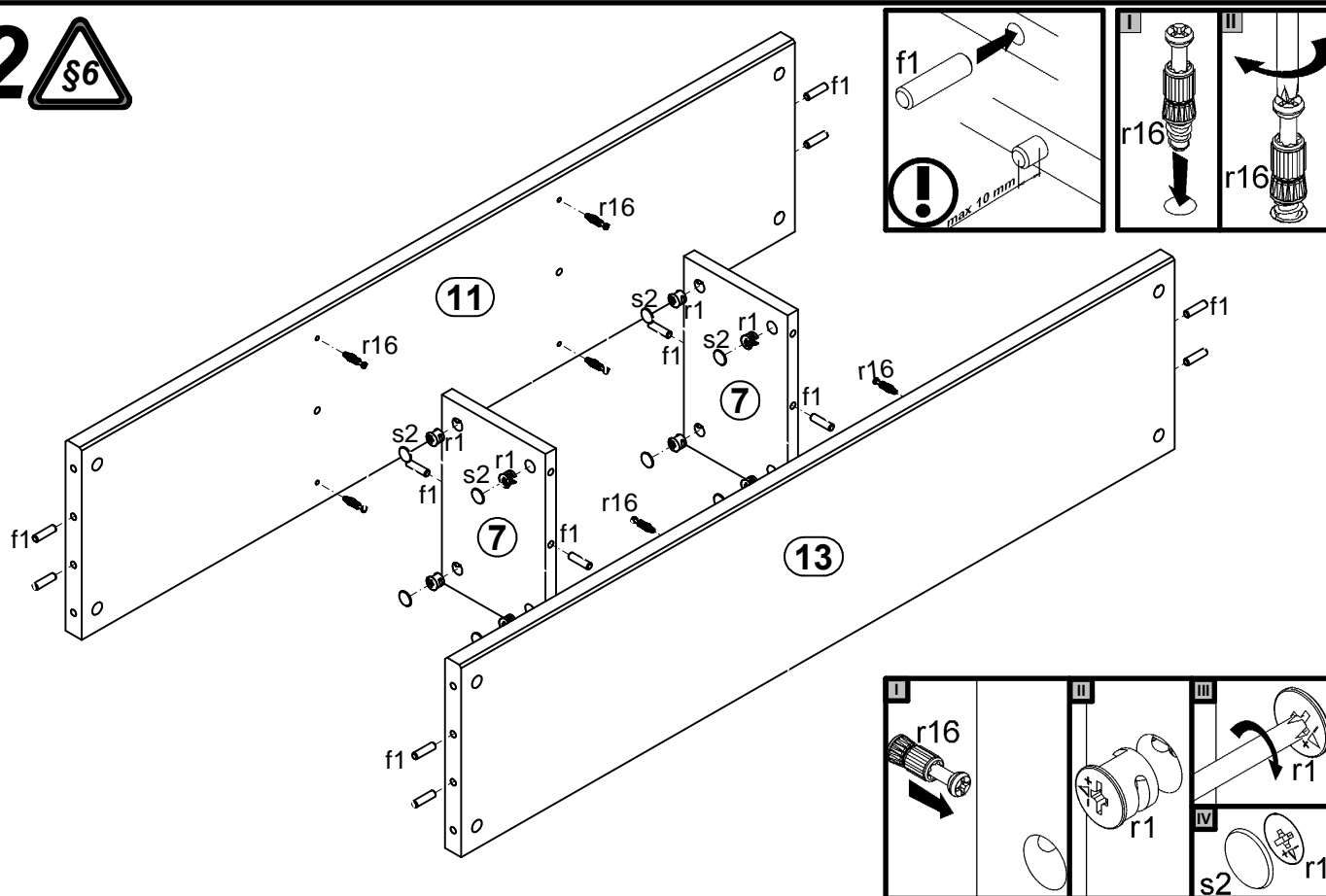


6x a1	6x b1	2x c235 98/128 mm	24x d3 φ5x17 mm	2x d4 φ6,3x15 mm	38x f1 φ8x30 mm	200x l1	4x n52 62x12/1mm	4x o27 φ6,5/φ10x5,2mm	
12x p25 φ3,5x16 mm	16x p38 φ3,5x16 mm	4x p54 φ3x12 mm	4x p59 φ4x12 mm	22x r1 φ15x12mm #16	20x r3 φ15x15mm #22	42x r16	36x s2 φ16	1x s3 φ60	
2x o481	2x o482	1x n2611	1x p38 φ3,5x16 mm						

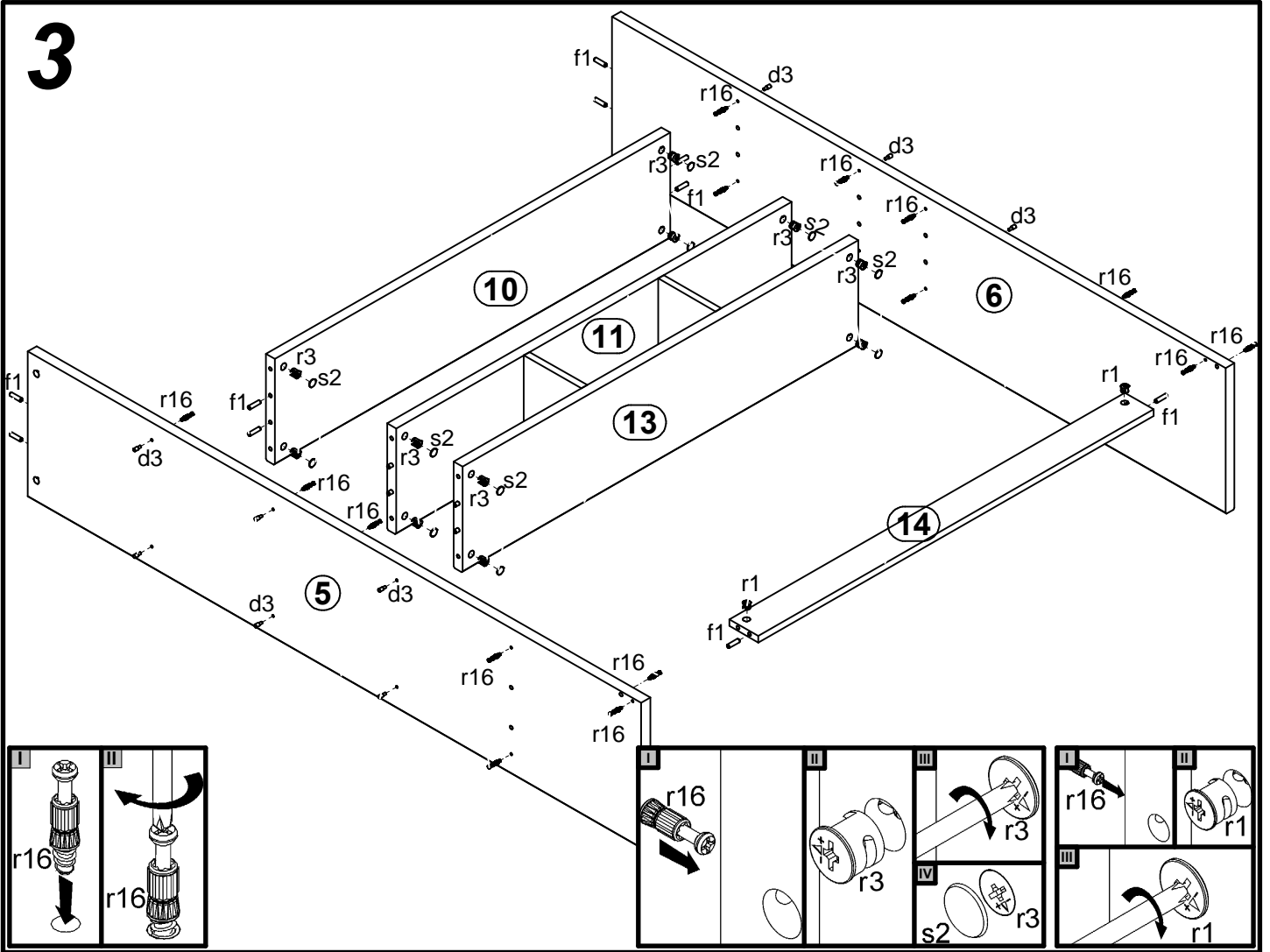
1



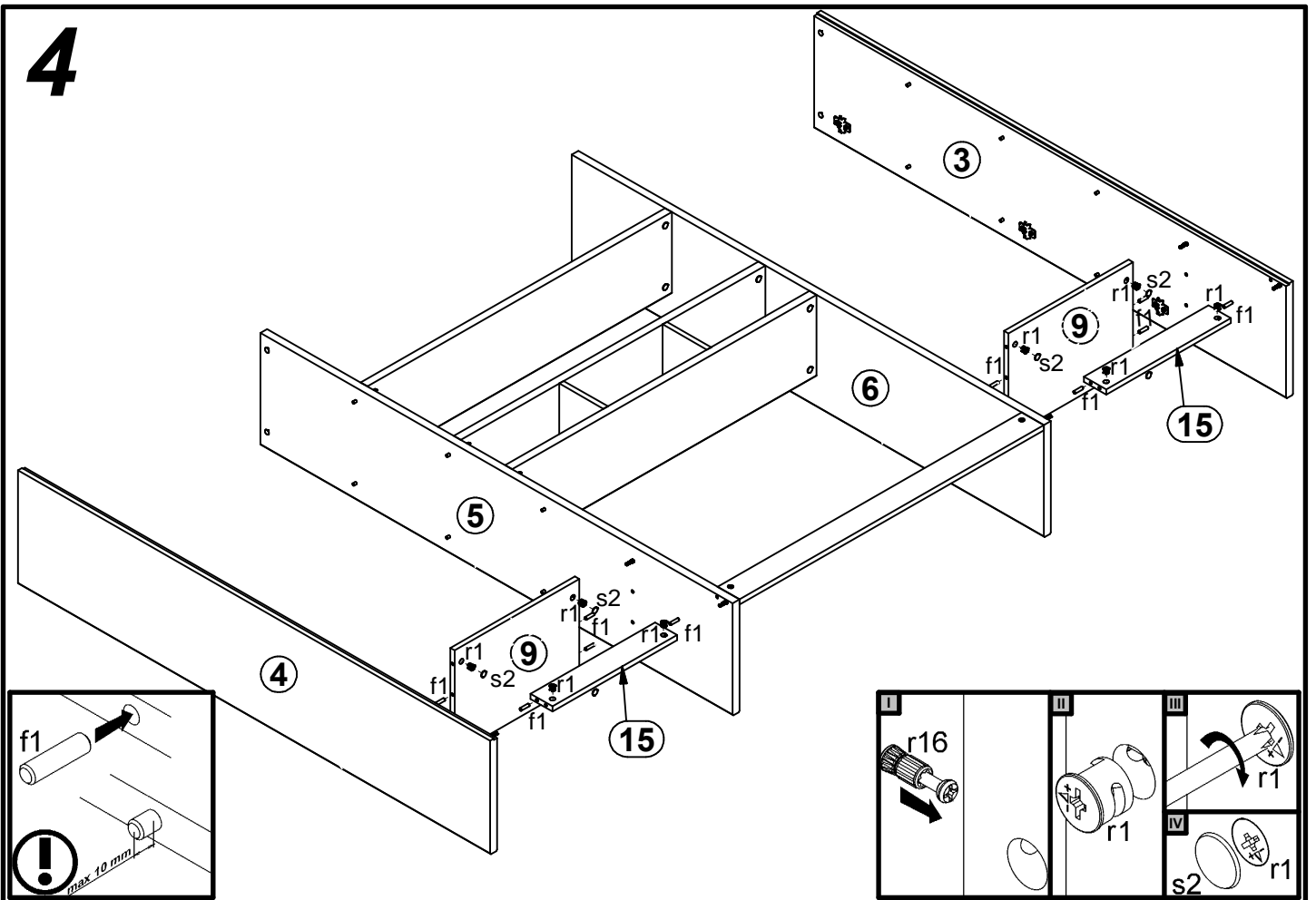
2



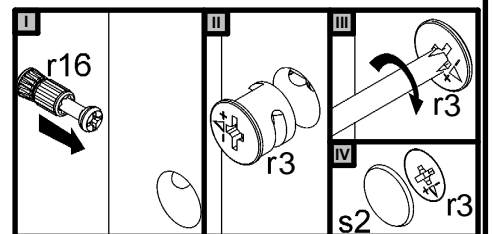
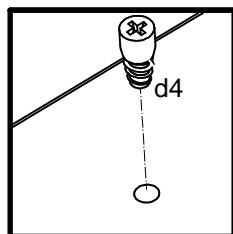
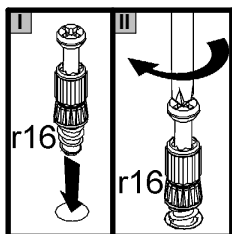
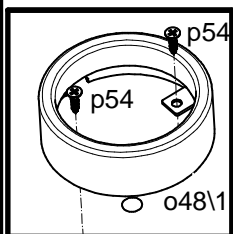
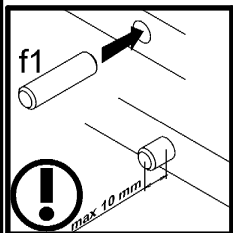
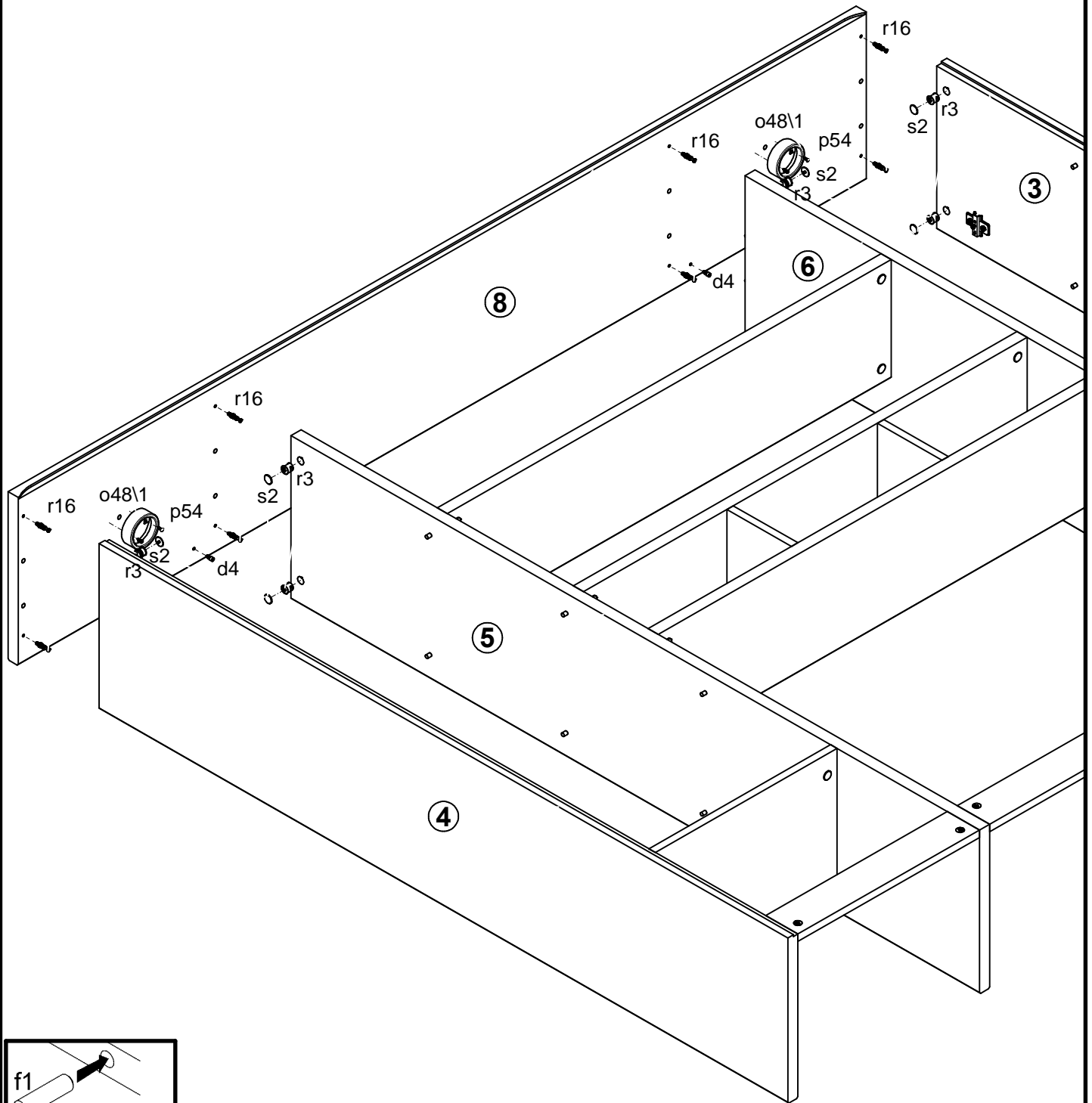
3



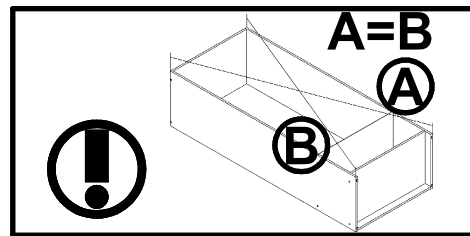
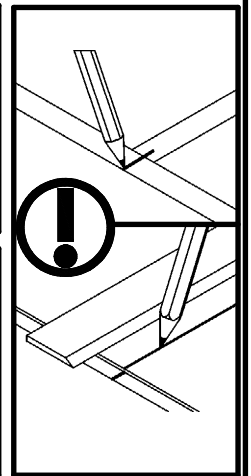
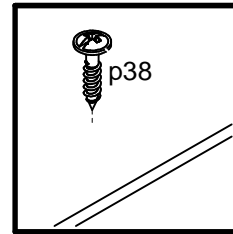
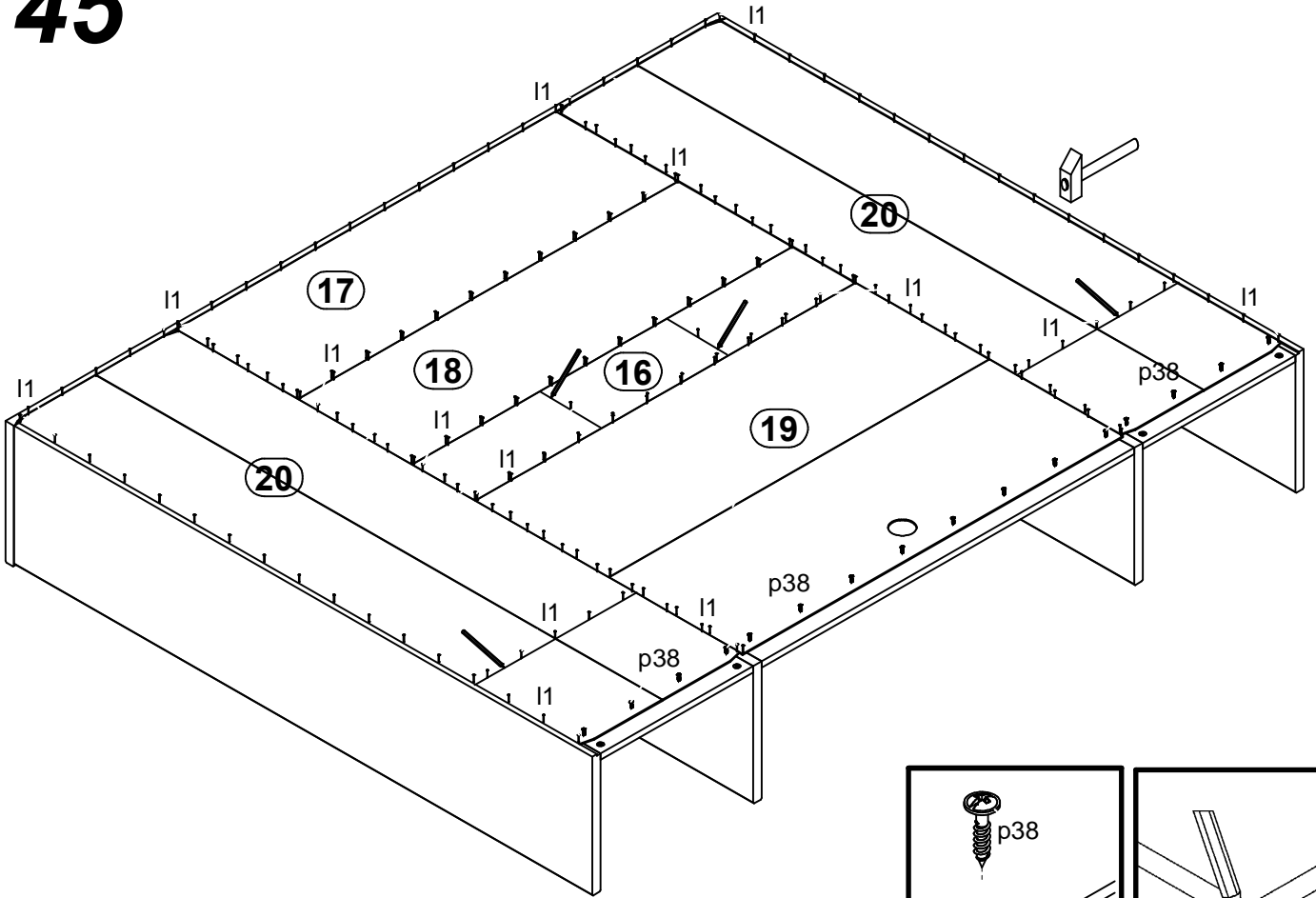
4



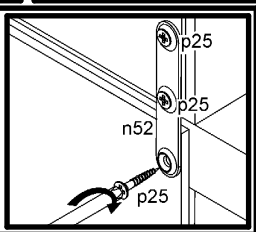
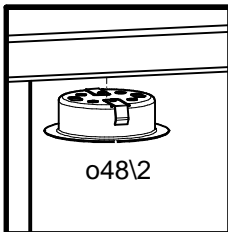
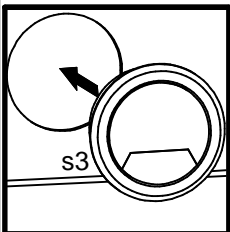
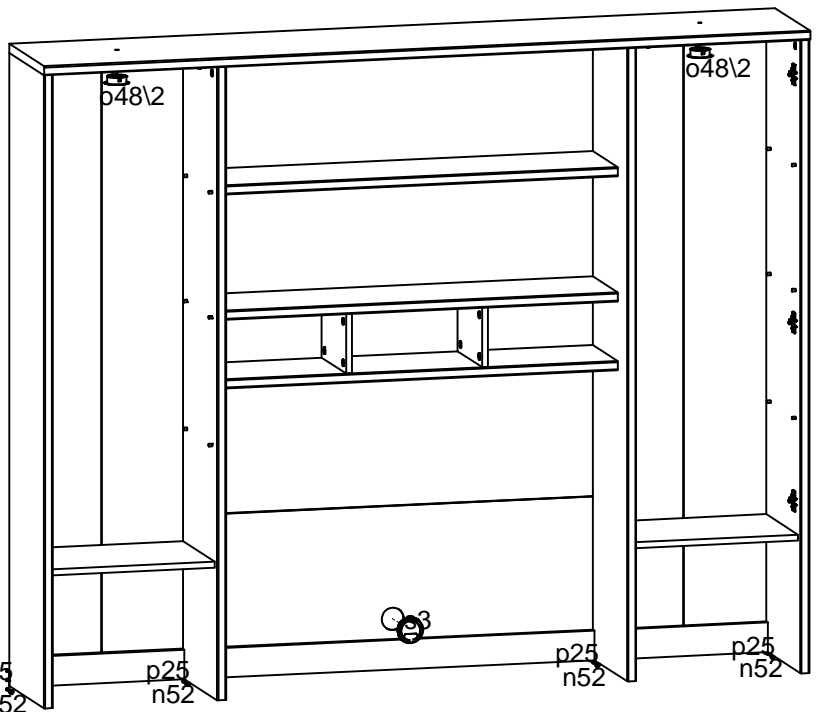
3



45



55



8

