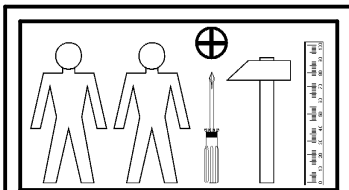
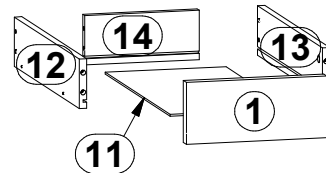
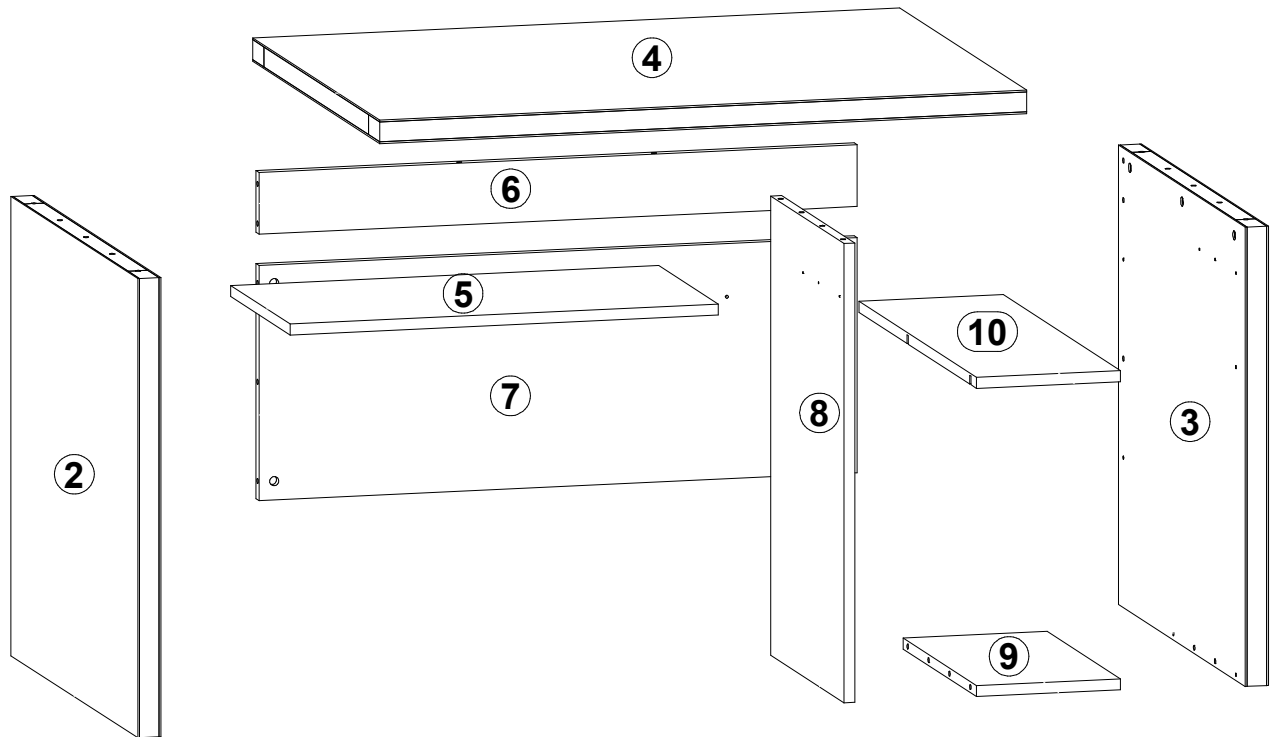
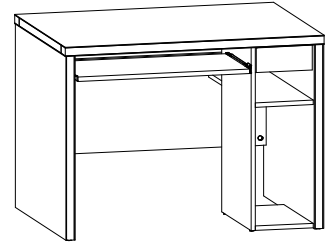
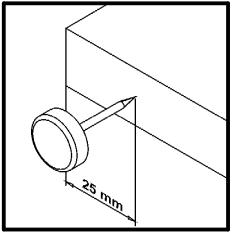
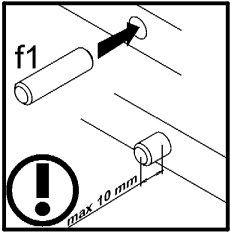
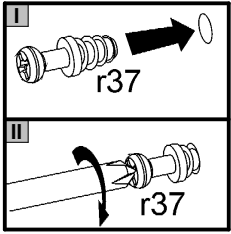
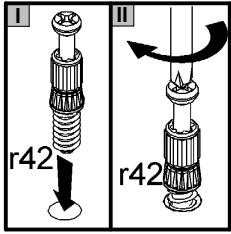
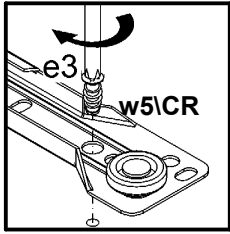
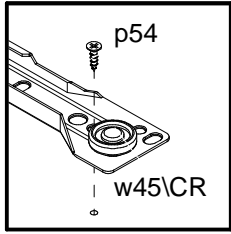
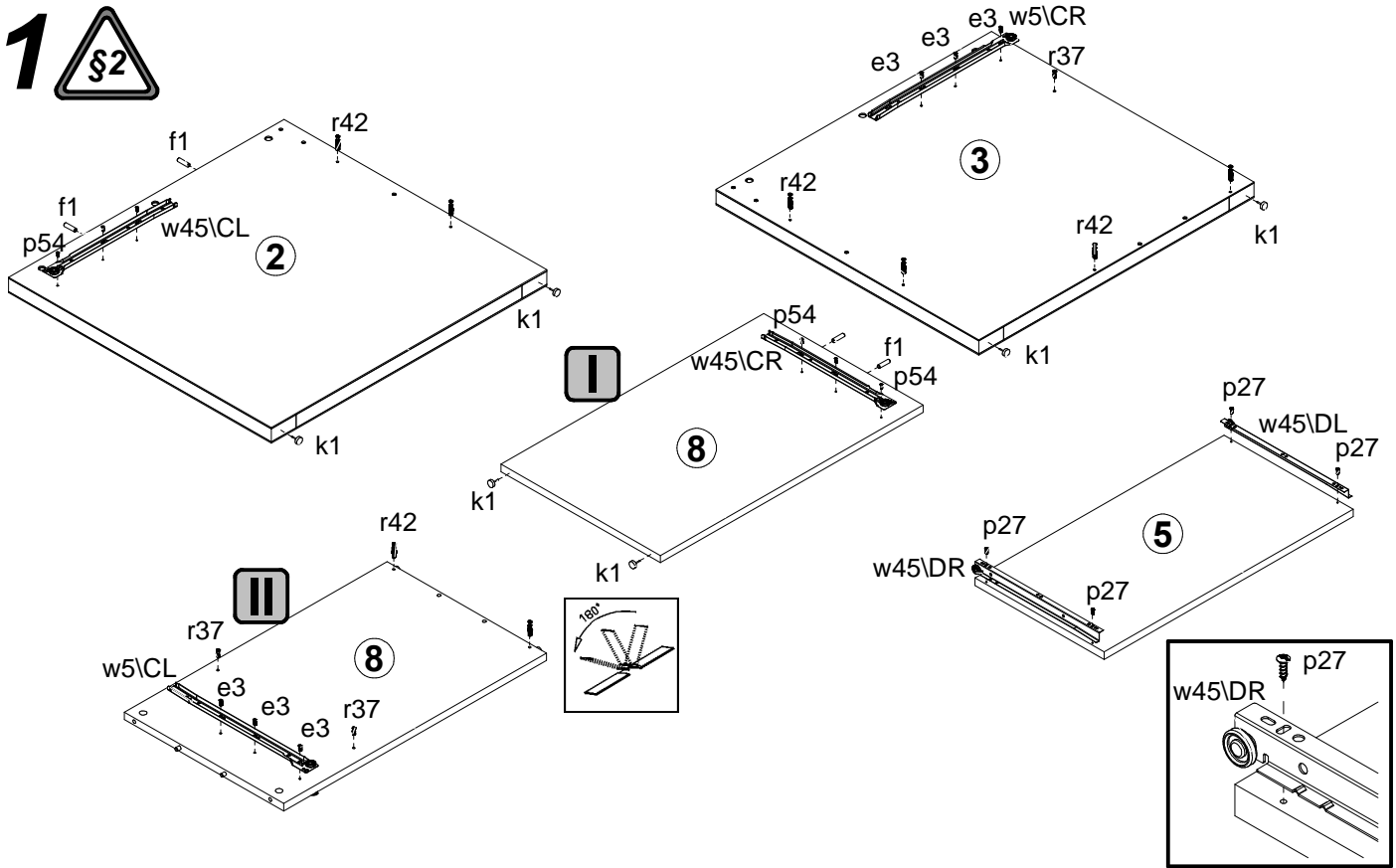


A	B	C	D	
1	S68-016	100	231	3/3
2	S68-115	742	778	1/3
3	S68-116	742	778	1/3
4	S68-207	1064	780	2/3
5	S68-302	704	365	2/3
6	S68-413	984	100	3/3
7	S68-414	984	380	2/3
8	S68-420	742	450	2/3
9	S68-421	450	237	2/3
10	S68-422	237	720	2/3
11	S68-909	199	398	2/3
12	ZS1-553	400	80	2/3
13	ZS1-554	400	80	2/3
14	ZS1-6512	188	80	2/3

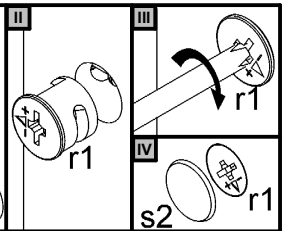
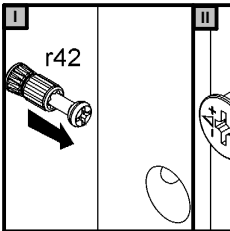
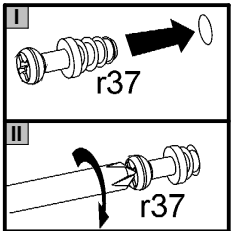
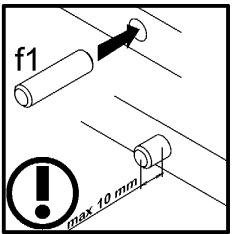
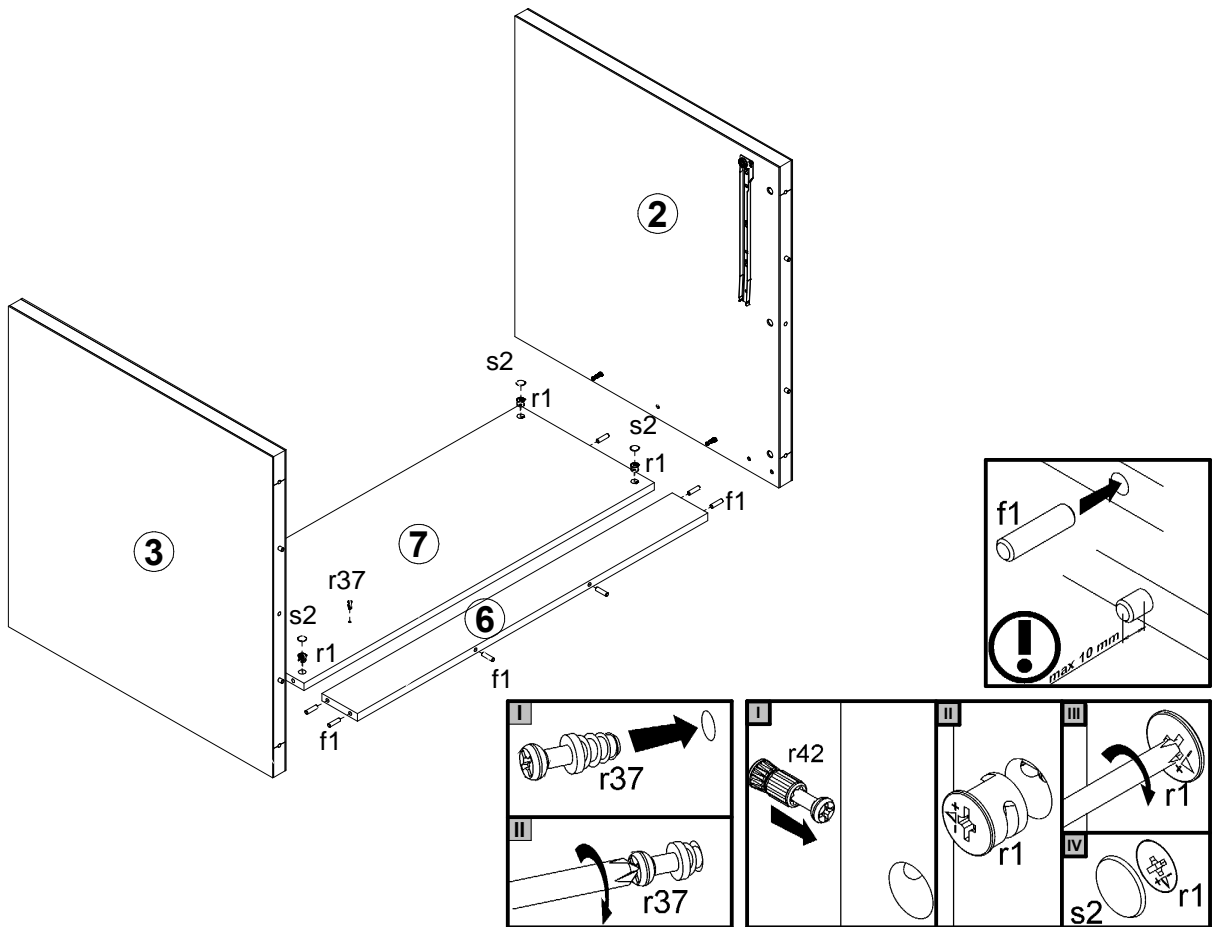


4x φ5x9 mm e19	6x φ6x13 mm e3	18x φ8x30 mm f1	4x φ6.5x40 mm f25	6x k1	4x φ3.5x13 mm p27	6x φ3x12 mm p54	16x φ1.5x12mm #16 r1	4x φ12x10.5mm #12 r15
5x 6.7x7.8 r37	5x φ20x13.5mm #19 r41	20x r42	5x ø16 s2	3x ø15 s51	1x 350 mm w45\CL	1x 350 mm w45\CR	1x 350 mm w45\DL	1x 350 mm w45\DR
1x 400 mm w5\CL	1x 400 mm w5\CR	1x 400 mm w5\DL	1x 400 mm w5\DR					

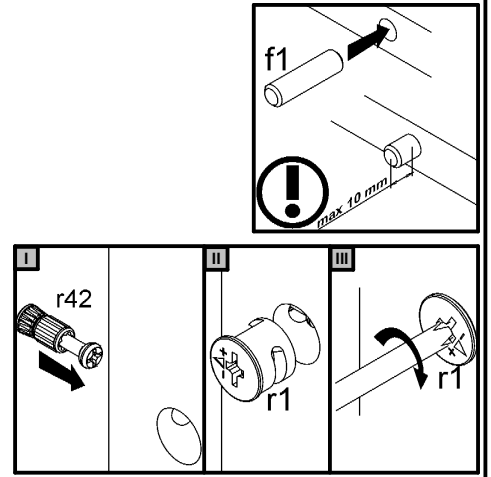
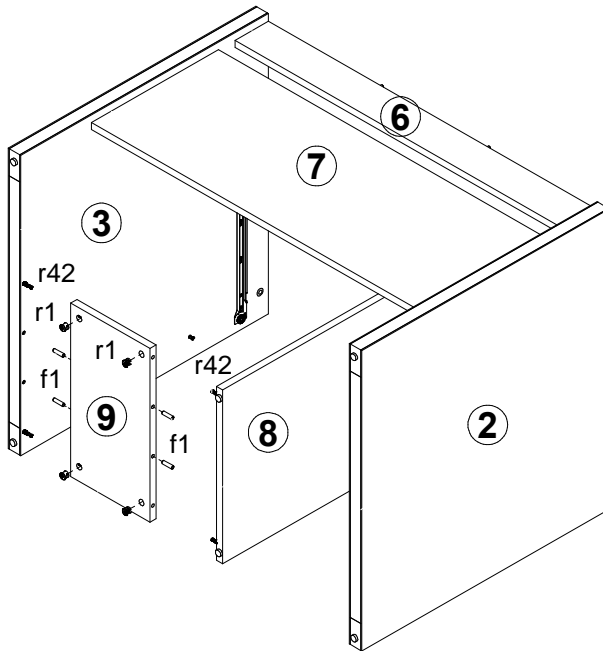
1



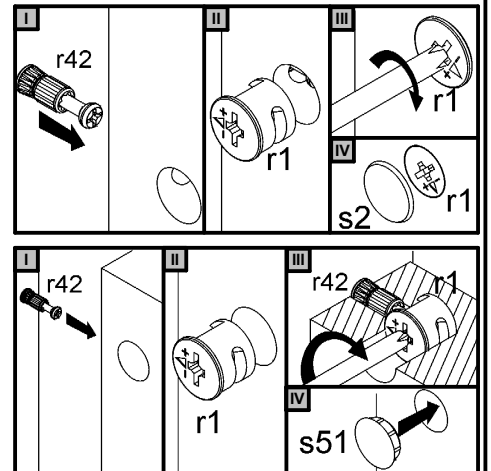
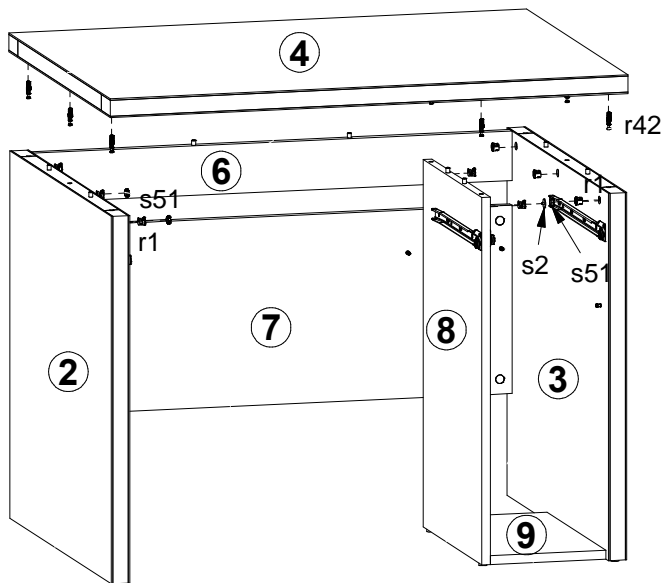
2



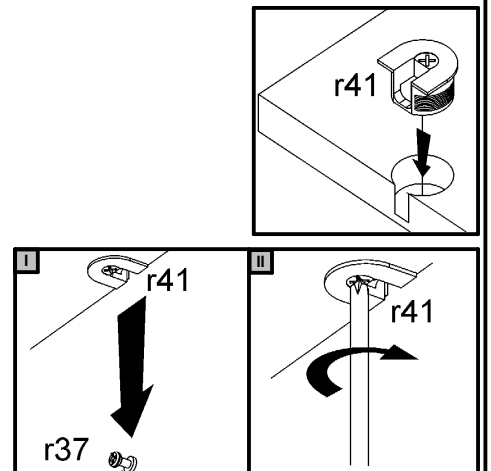
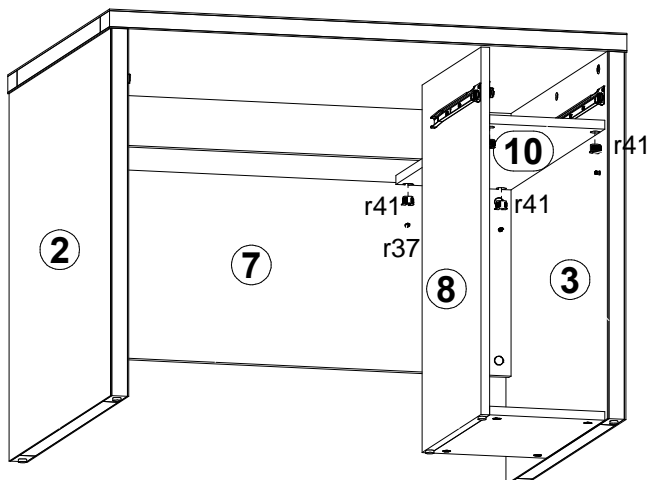
3



4



5



6

