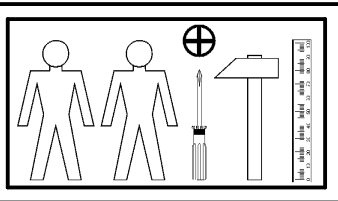
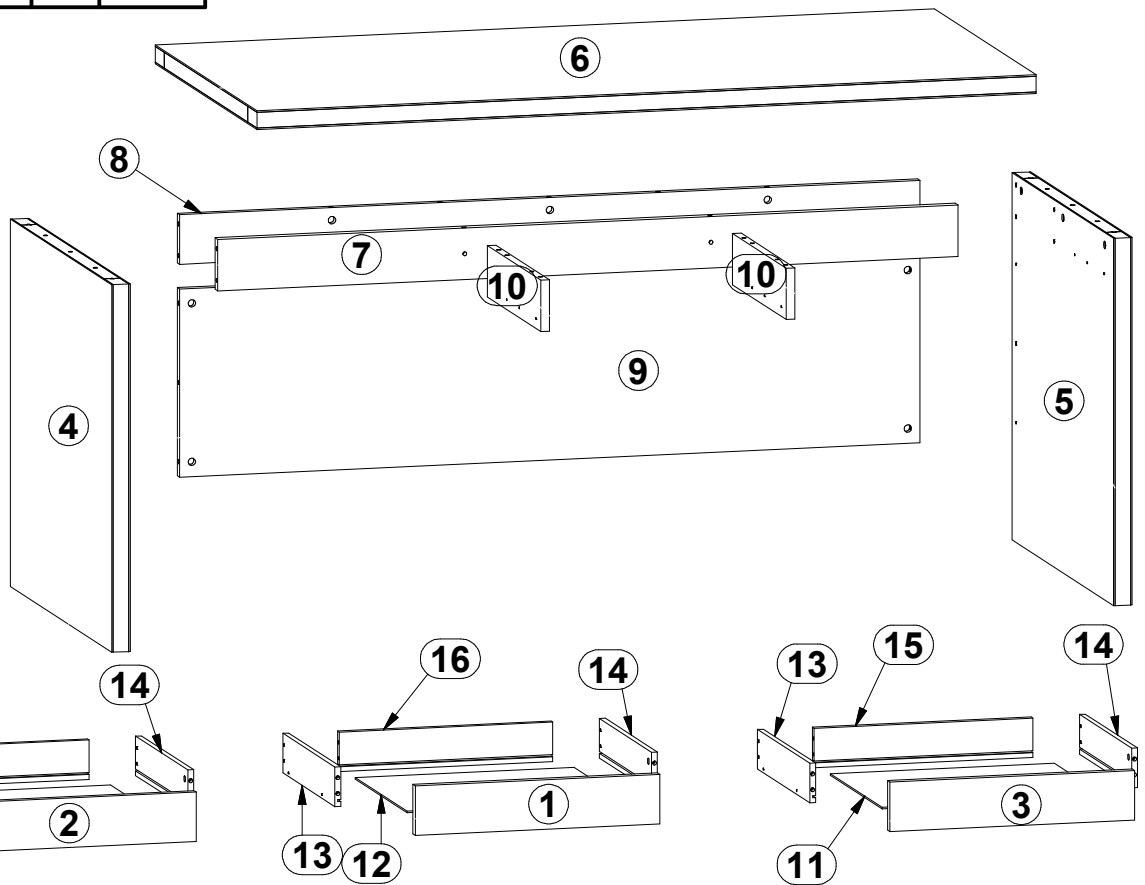
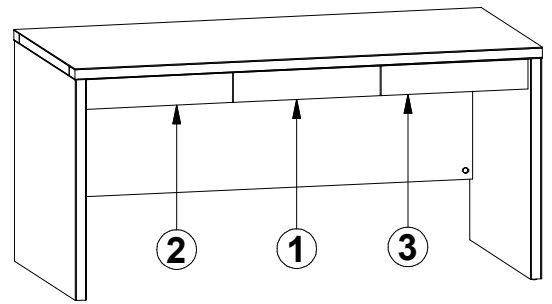
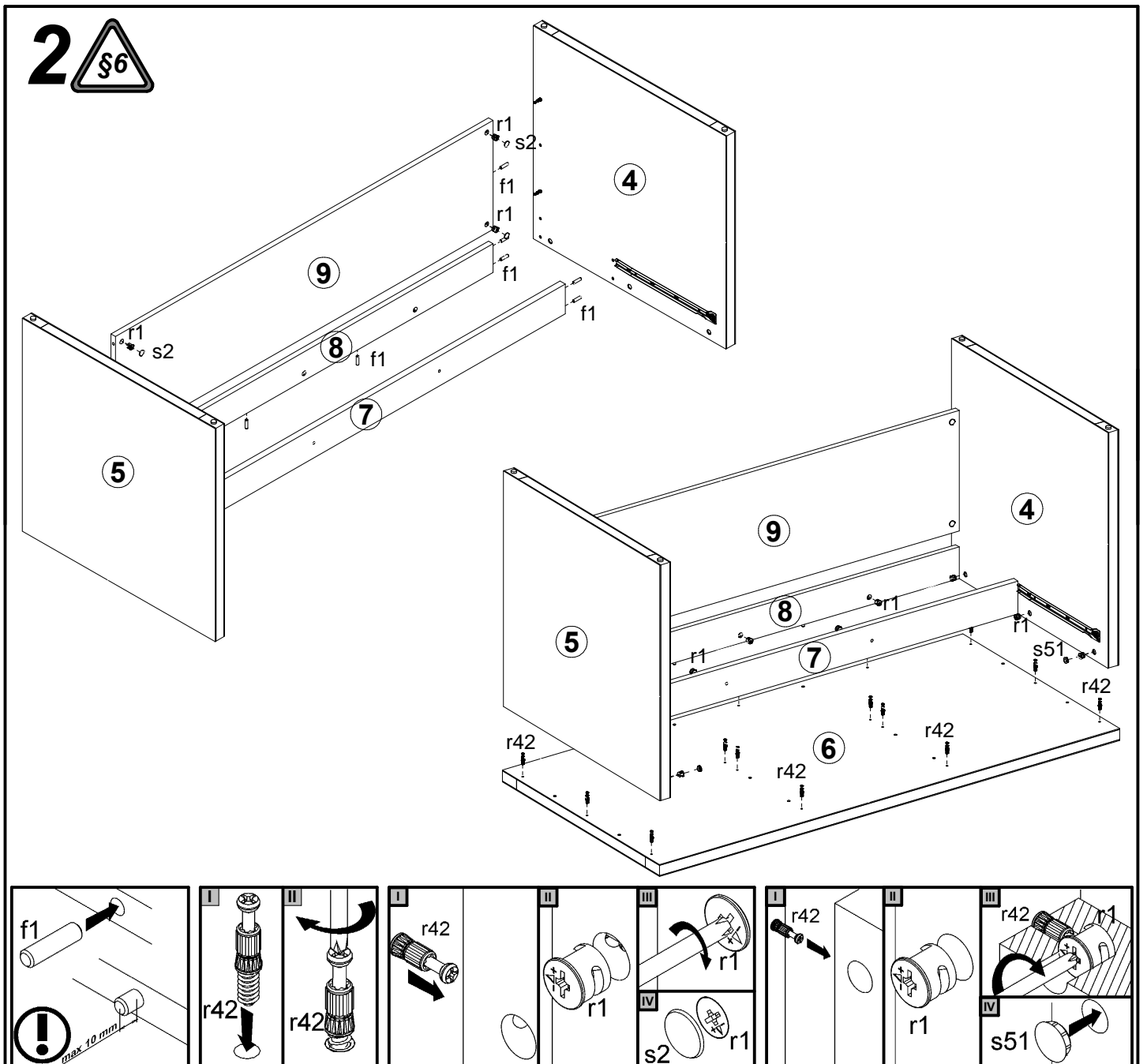
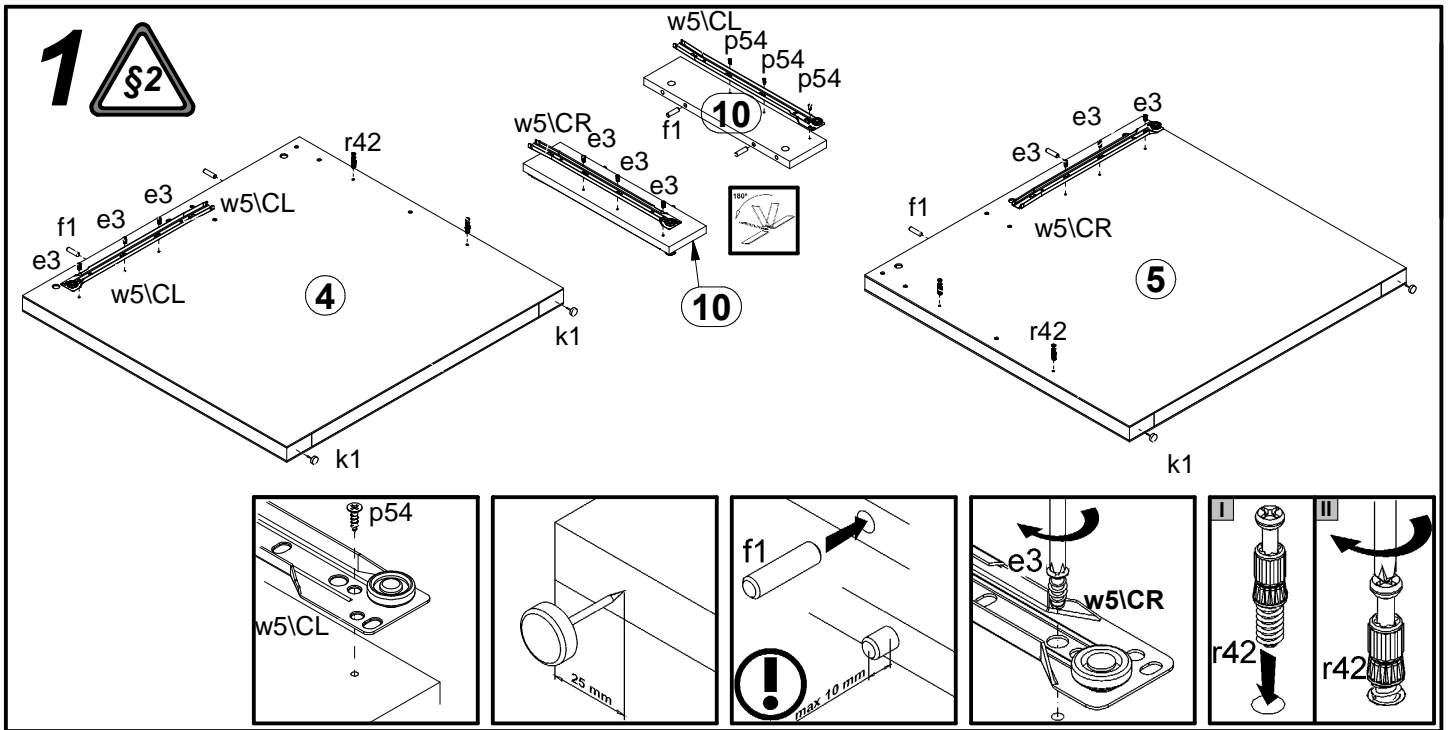


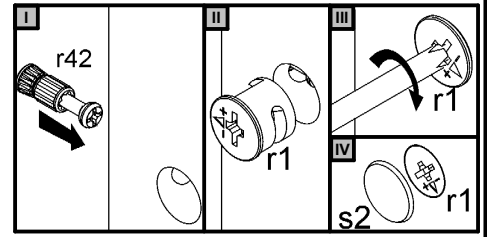
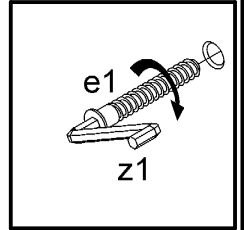
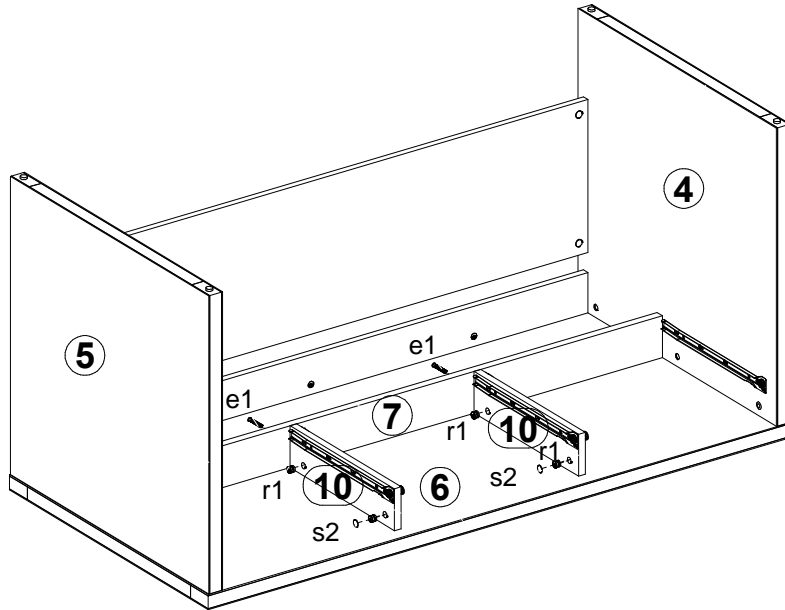
A	B	C	D	
1	S68-013	100	503	3/3
2	S68-014	100	503	3/3
3	S68-015	100	503	3/3
4	S68-107	742	778	1/3
5	S68-108	742	778	1/3
6	S68-203	1602	780	1/3
7	S68-405	1522	104	2/3
8	S68-406	1522	100	3/3
9	S68-407	1522	380	1/3
10	S68-408	410	104	2/3
11	S68-907	461	398	1/3
12	S68-908	450	398	1/3
13	ZS1-553	400	80	2/3
14	ZS1-554	400	80	2/3
15	ZS1-6508	450	80	2/3
16	ZS1-6509	439	80	2/3



2x  φ7x50 mm <b>e1</b>	12x  φ5x9 mm <b>e19</b>	12x  φ6x13 mm <b>e3</b>	20x  φ8x30 mm <b>f1</b>	12x  φ6.5x40 mm <b>f25</b>	4x  <b>k1</b>	6x  φ3x12 mm <b>p54</b>	19x  φ1.5x12mm #16 <b>r1</b>	12x  φ12x10.5mm #12 <b>r15</b>
31x  <b>r42</b>	6x  ø16 <b>s2</b>	2x  ø15 <b>s51</b>	3x  400 mm <b>w5ICL</b>	3x  400 mm <b>w5ICR</b>	3x  400 mm <b>w5IDL</b>	3x  400 mm <b>w5IDR</b>	1x  <b>z1</b>	



# 3



# 4

