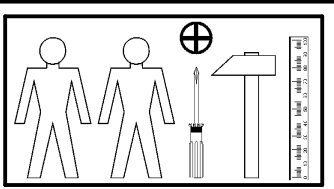
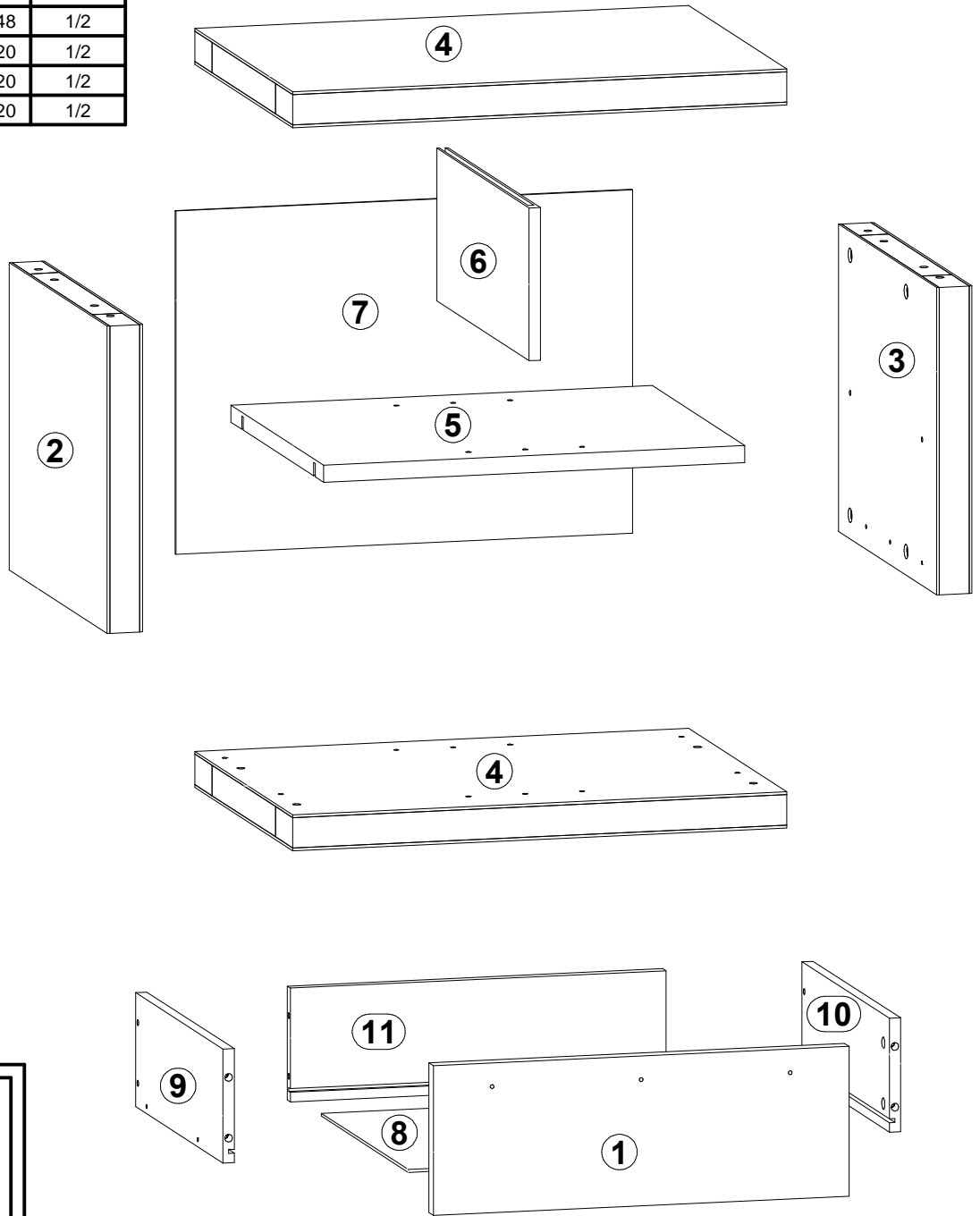
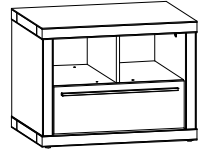
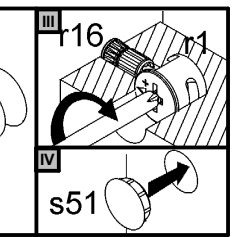
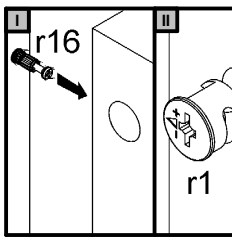
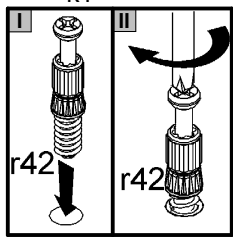
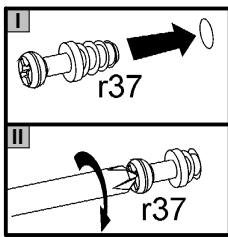
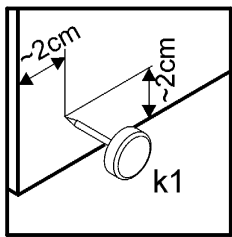
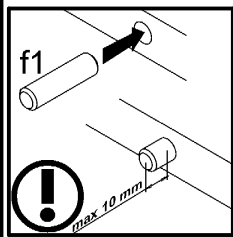
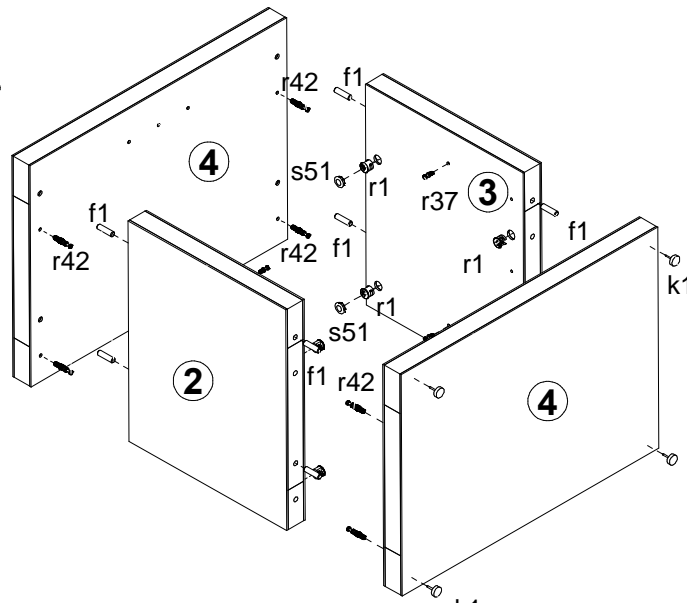


A	B	C	D	
1	S68-011	158	446	2/2
2	S68-113	324	392	1/2
3	S68-114	324	392	1/2
4	S68-206	530	393	1/2
5	S68-411	452	371	1/2
6	S68-412	161	370	1/2
7	S68-904	490	362	1/2
8	S68-905	414	348	1/2
9	ZS1-529	350	120	1/2
10	ZS1-530	350	120	1/2
11	ZS1-6510	403	120	1/2

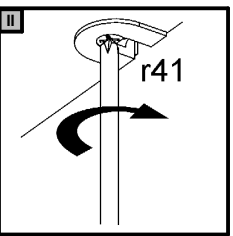
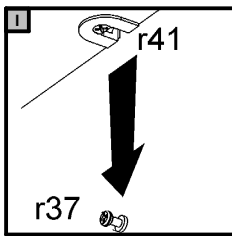
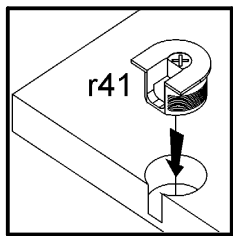
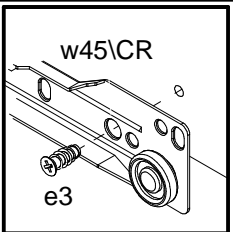
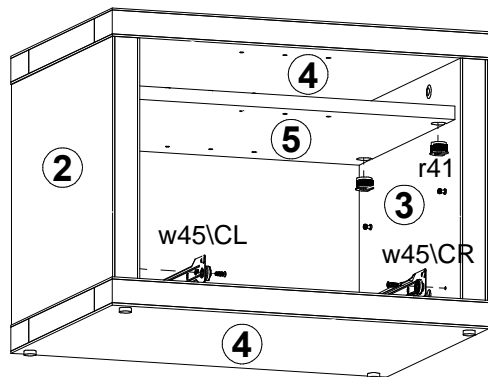


1x 356mm c223\5	4x φ5x9 mm e19	6x φ6x13 mm e3	8x φ8x30 mm f1	4x φ6.5x40 mm f25	4x k1	20x l1	2x φ5x293 mm m31	3x φ3x26 mm p97
8x φ15x12mm #16 r1	4x φ12x10.5mm #12 r15	12x r42	4x 6.7x8 r37	4x φ20x13.5mm #19 r41	4x ø15 s51	1x 350 mm w45\CL	1x 350 mm w45\CR	1x 350 mm w45\DL
1x 350 mm w45\DR								

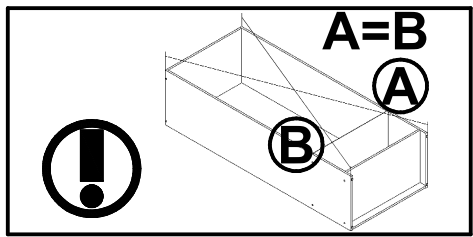
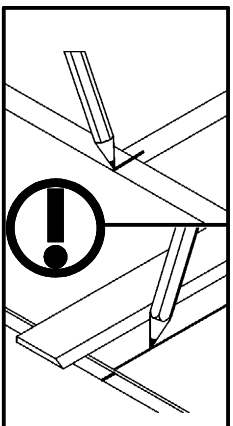
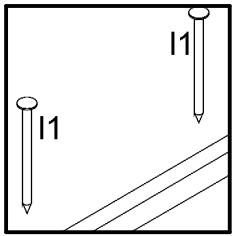
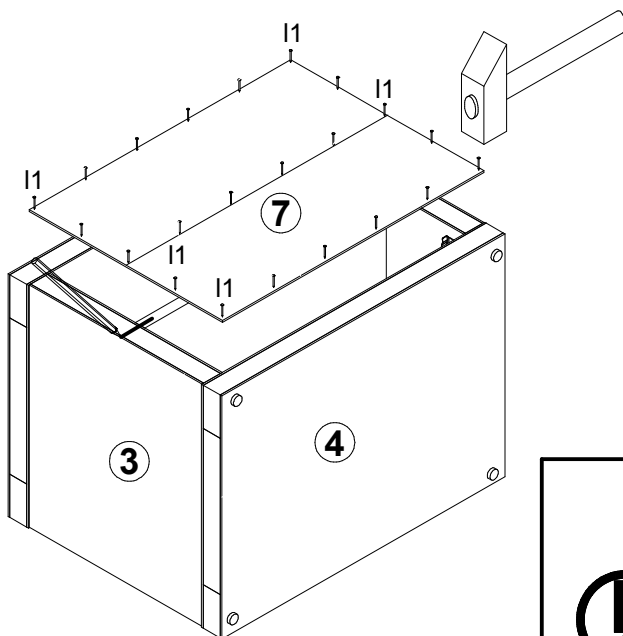
1



2

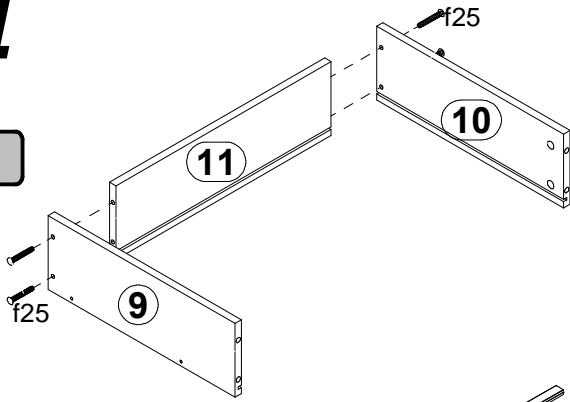


3

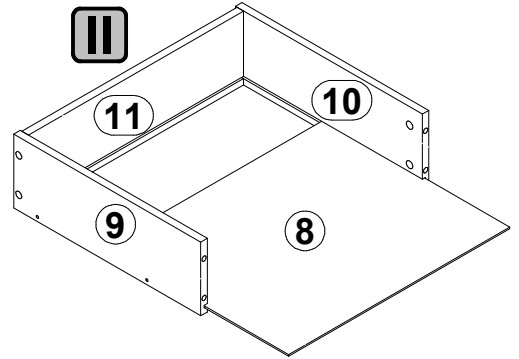


4

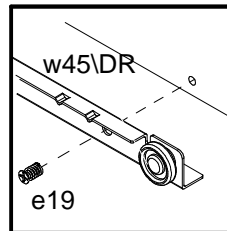
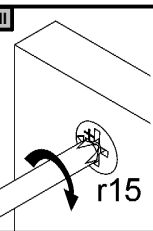
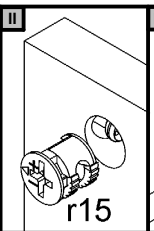
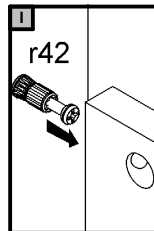
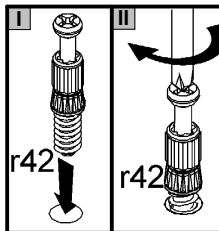
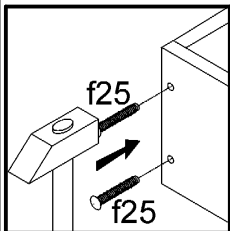
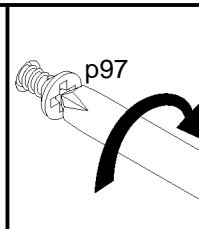
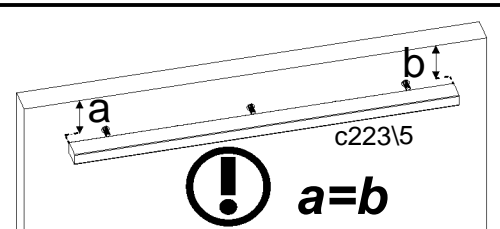
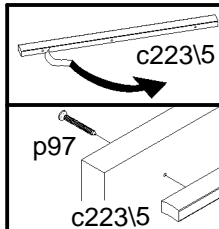
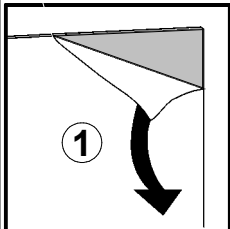
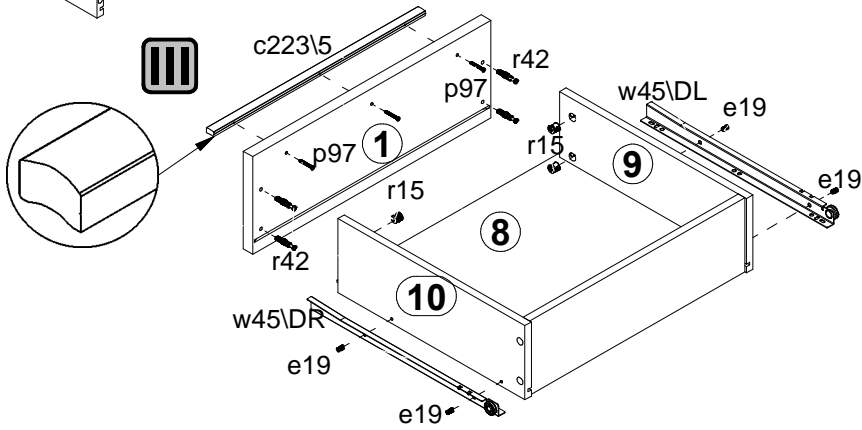
I



II



III



5

