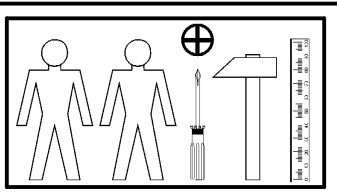
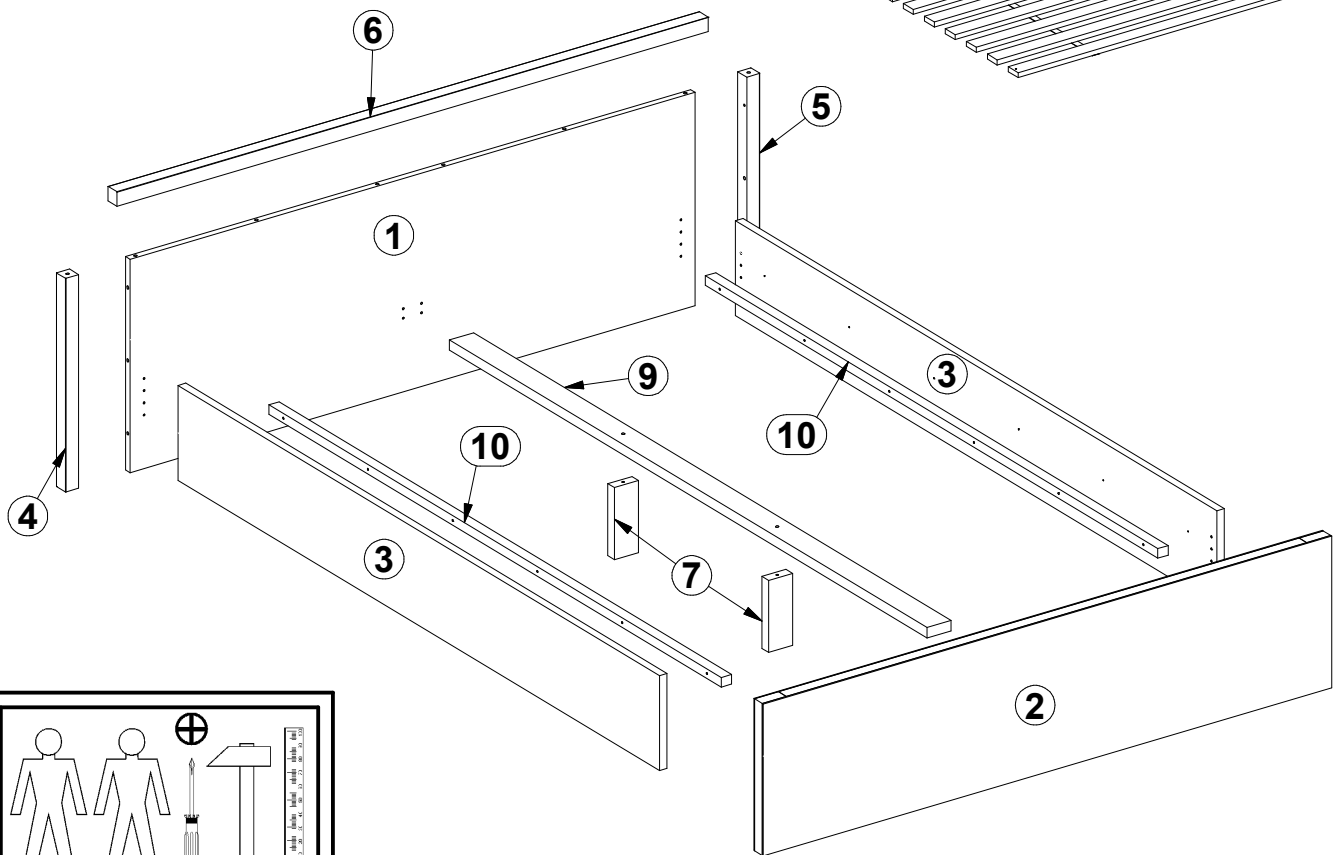
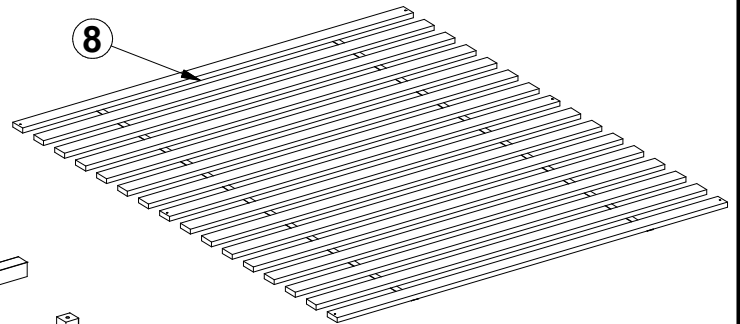
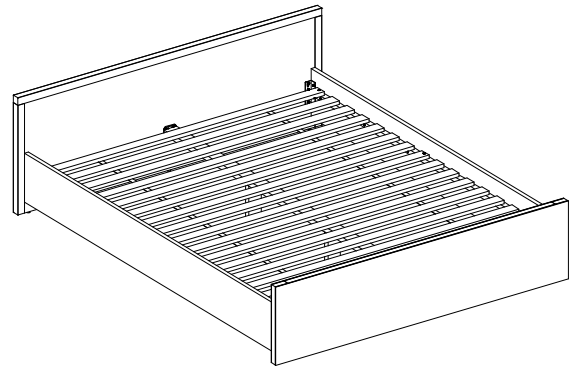
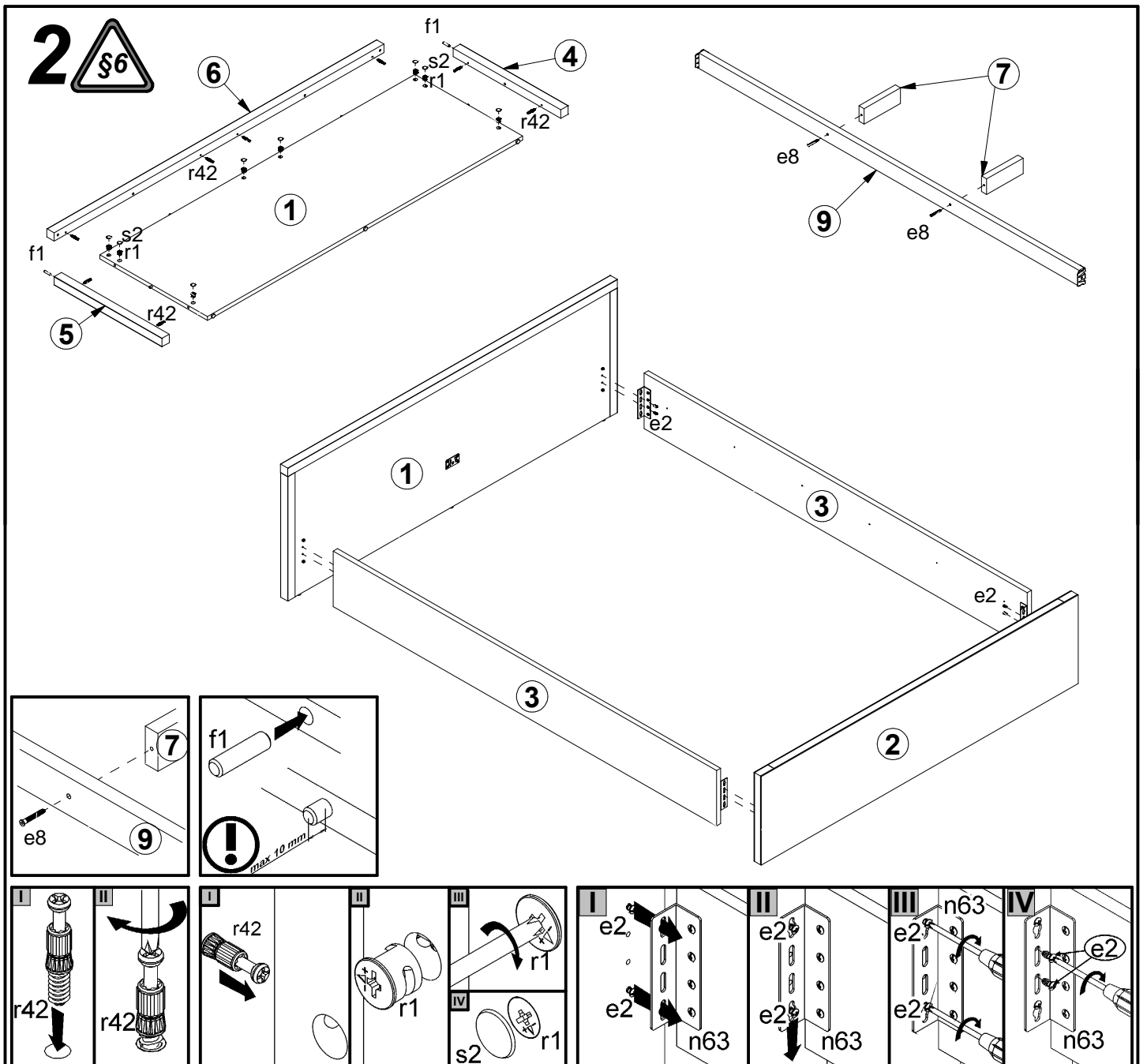
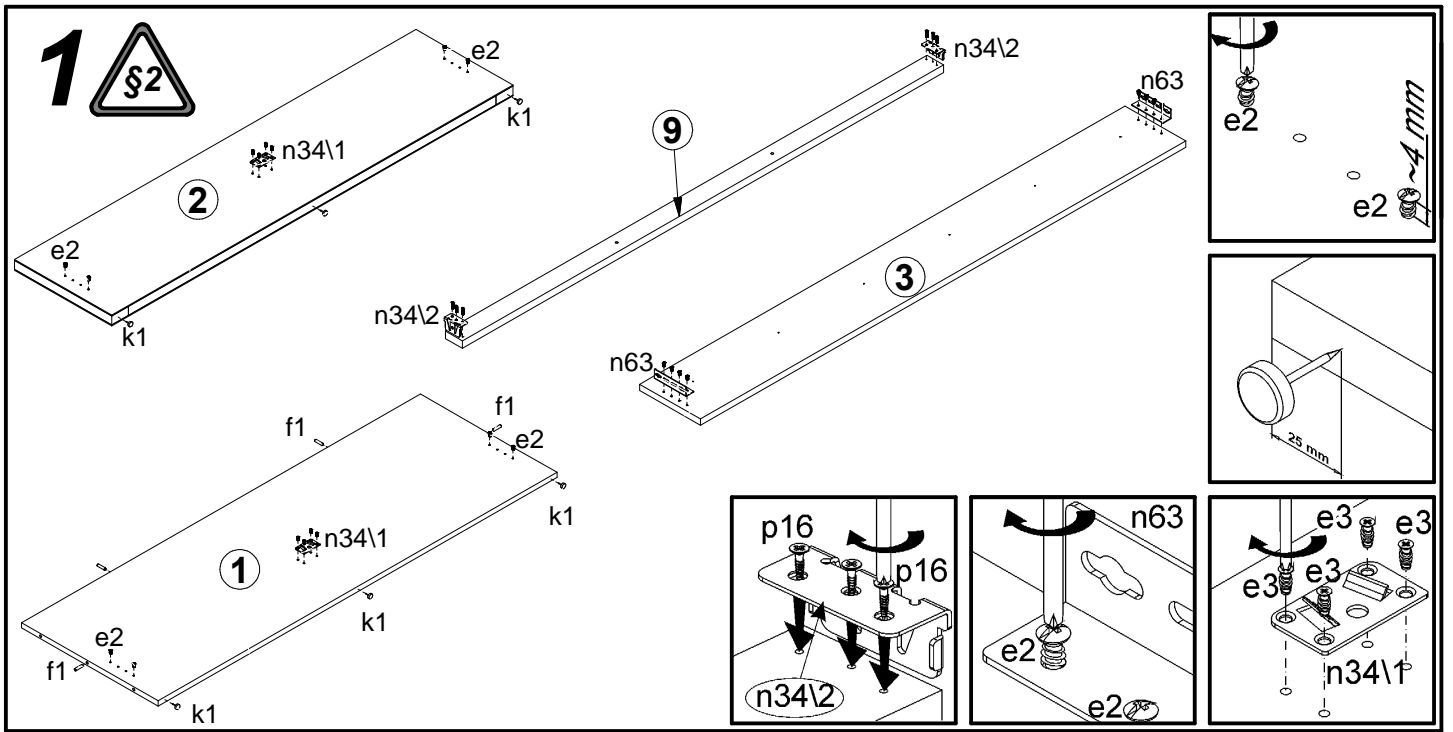


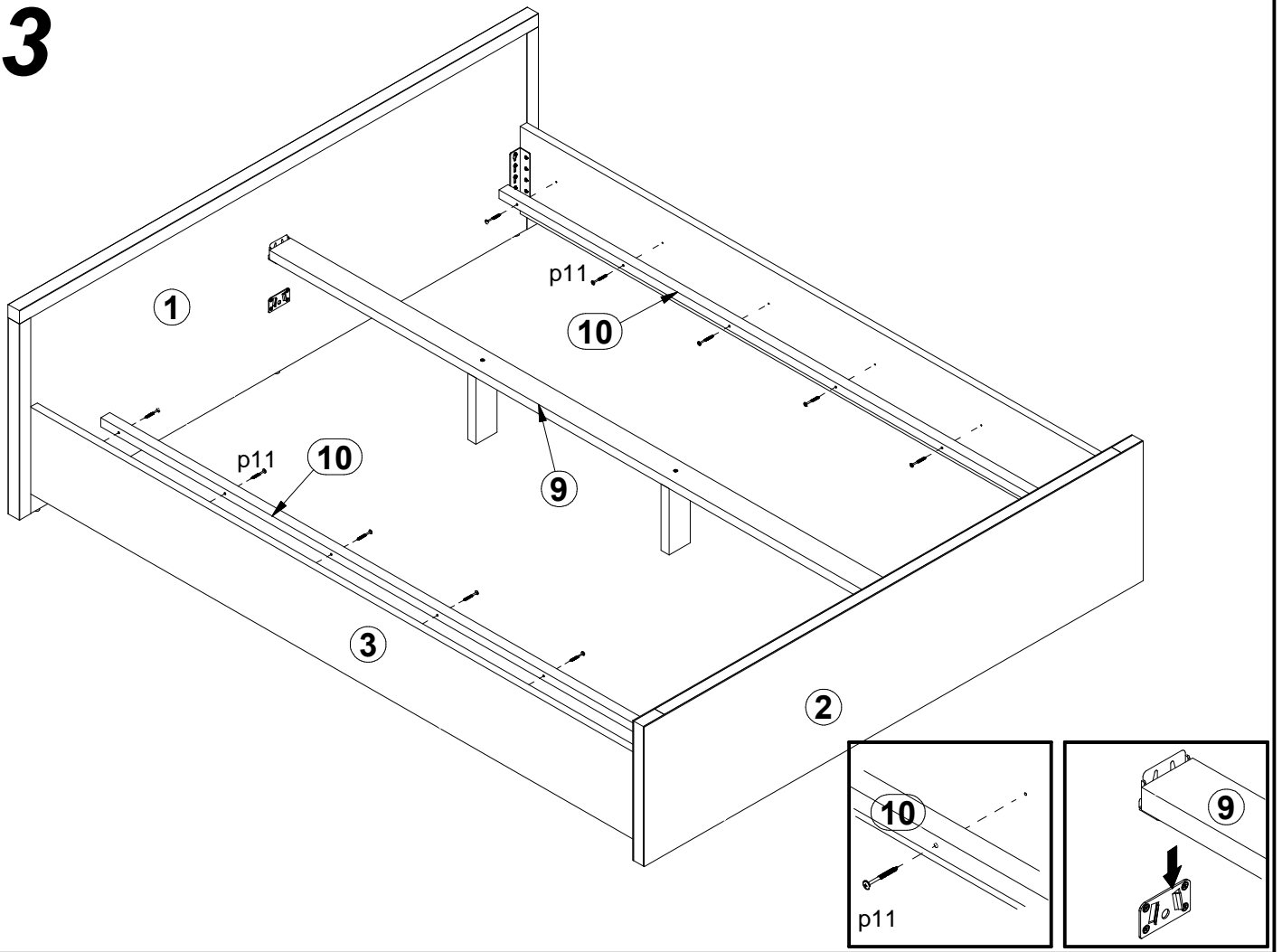
A	B	C	D
1	S68-009	1644	562
2	S68-118	400	1654
3	S68-415	2000	250
4	S68-416	562	38
5	S68-417	562	38
6	S68-418	1720	38
7	ZZ1-411	190	70
8	ZZ1-501	1872	1578
9	ZZ1-719	1983	70
10	ZZ1-720	1880	25



32x φ6,3x13 mm <b>e2</b>	8x φ6x13 mm <b>e3</b>	2x φ7x60 mm <b>e8</b>	6x φ8x30 mm <b>f1</b>	6x <b>k1</b>	2x <b>n34\1</b>	2x <b>n34\2</b>	4x 130x34x34,2mm <b>n63</b>	12x φ4x45 mm <b>p11</b>
6x φ3,5x25 mm <b>p16</b>	6x φ4x35 mm <b>p6</b>	8x φ15x12mm #16 <b>r1</b>	8x <b>r42</b>	8x ø16 <b>s2</b>	1x <b>z1</b>			



# 3



# 4

