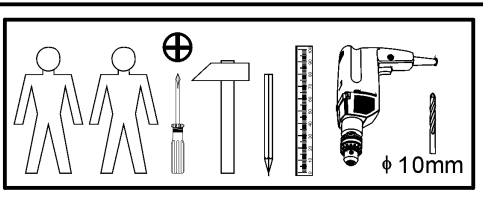
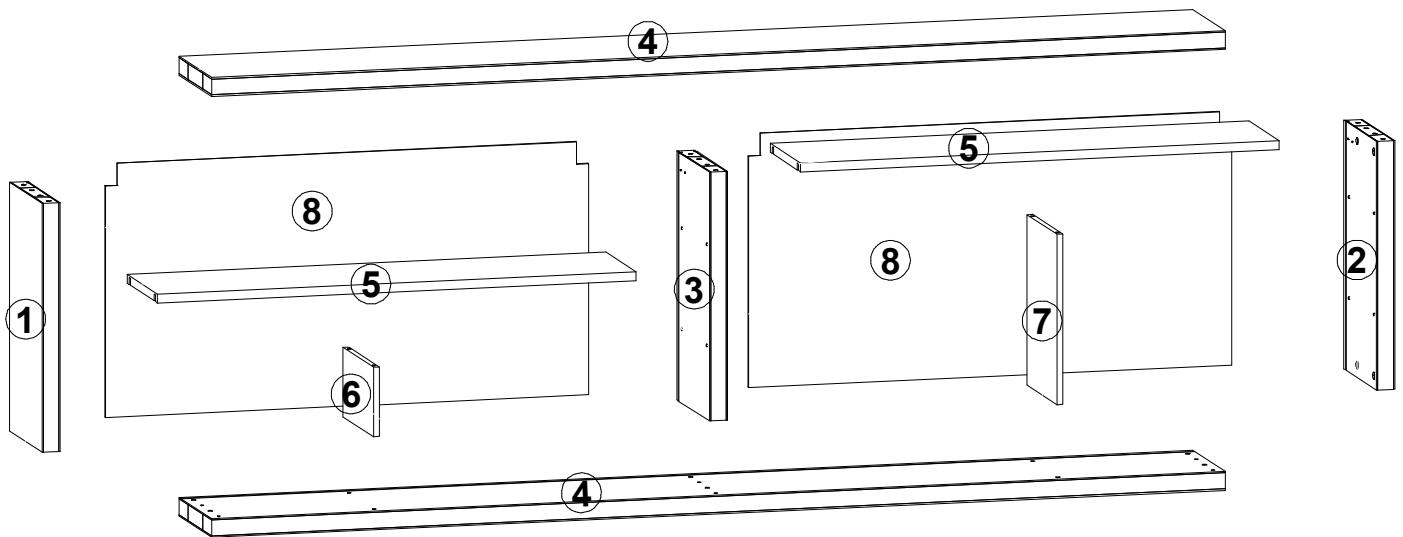
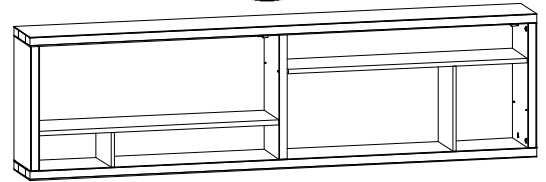
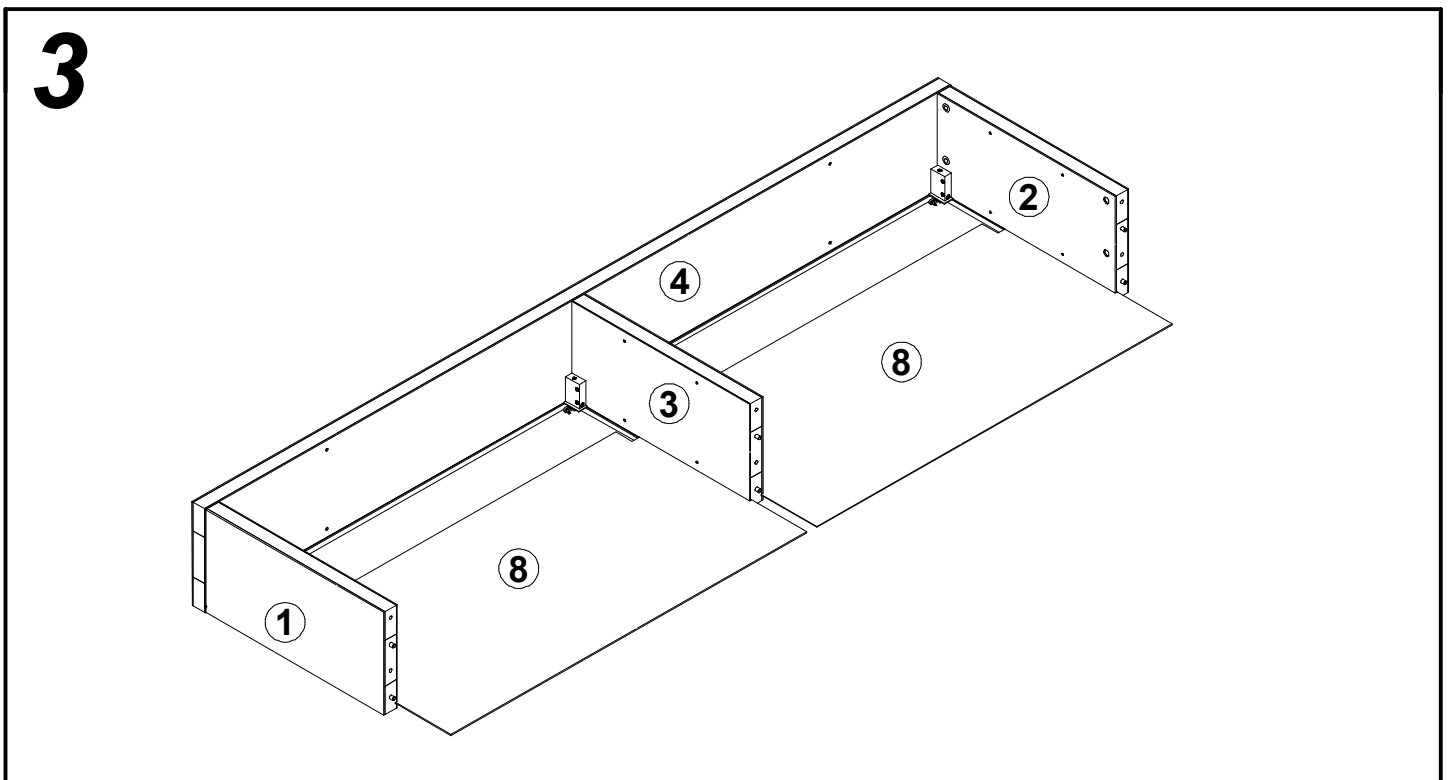
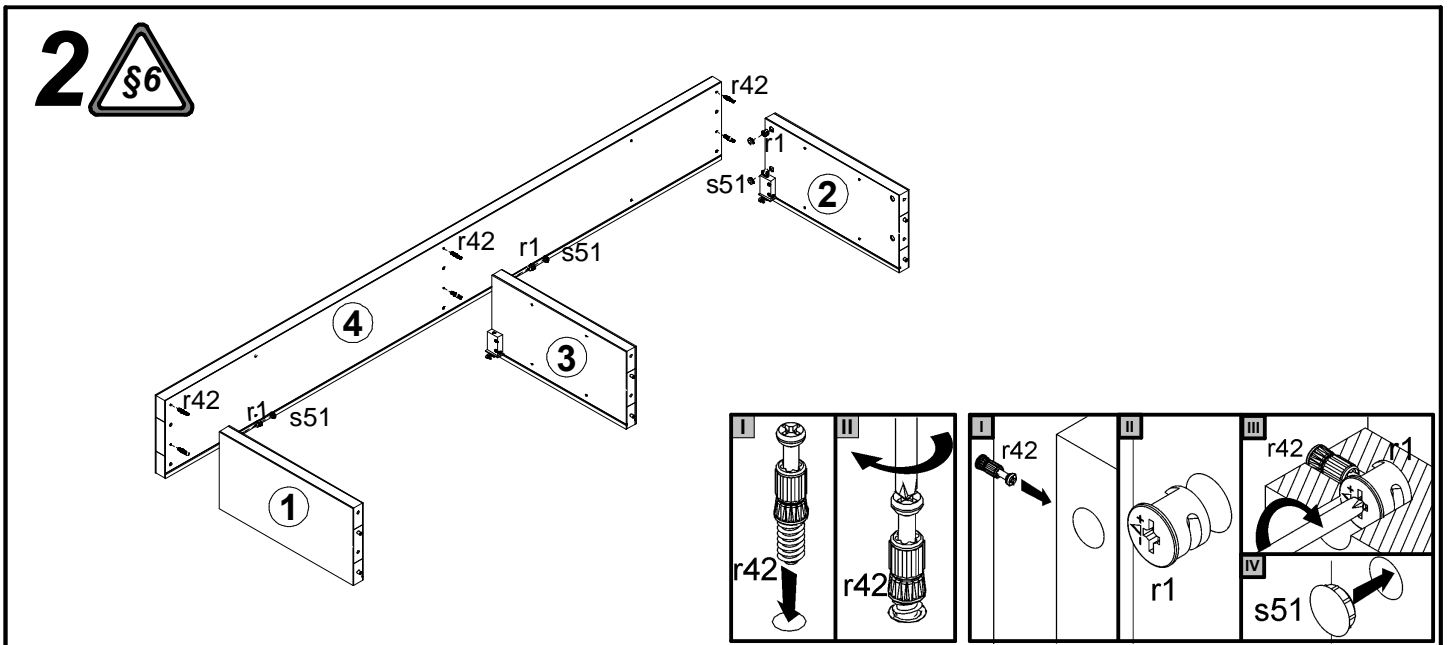
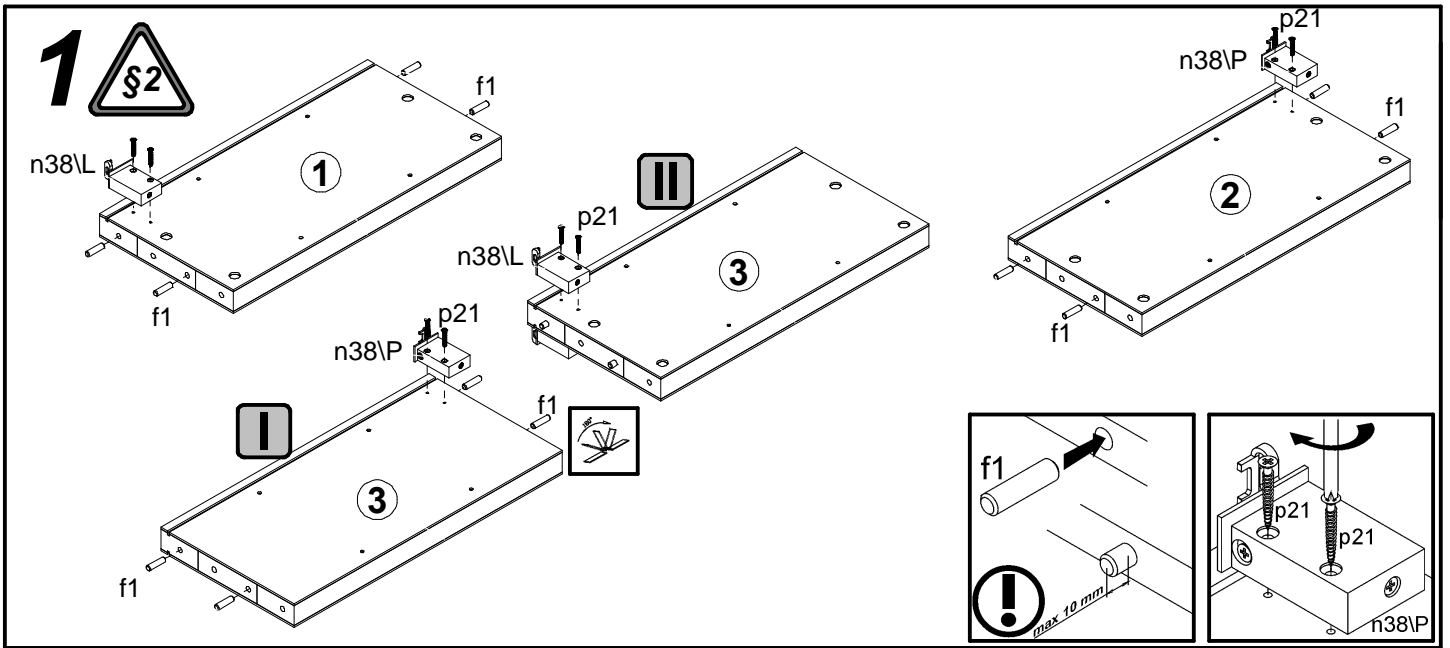


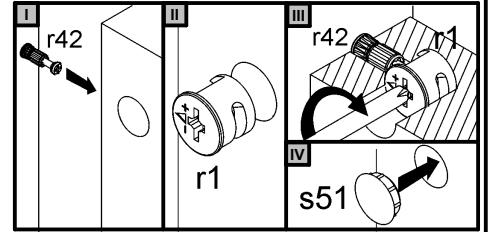
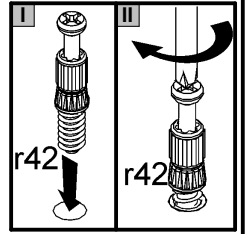
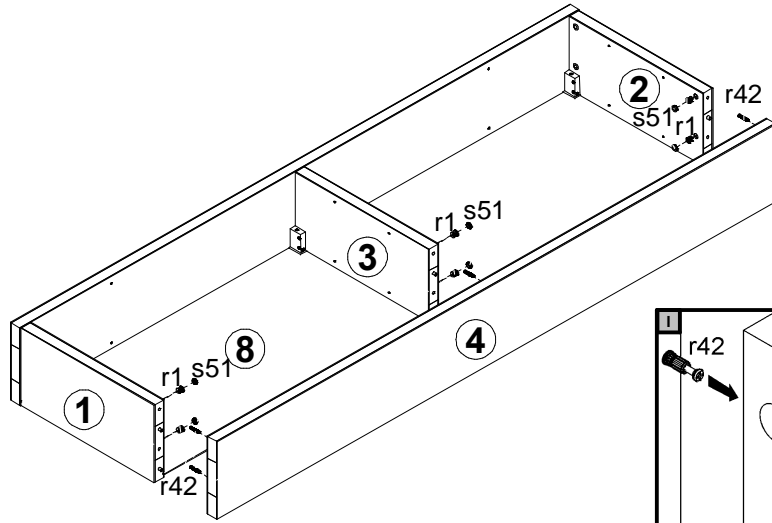
A	B	C	D	
1	S68-120	502	250	1/2
2	S68-121	502	250	1/2
3	S68-122	502	250	1/2
4	S68-213	2084	251	1/2
5	S68-431	984	233	2/2
6	S68-432	140	233	1/2
7	S68-433	344	233	1/2
8	S68-911	512	994	2/2



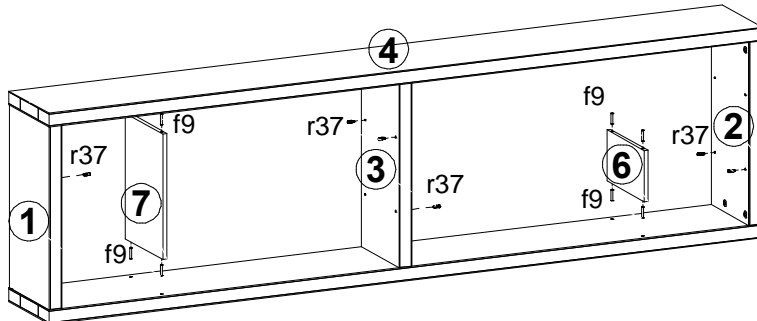
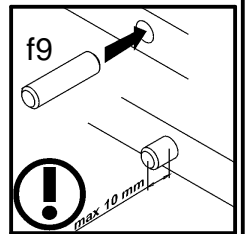
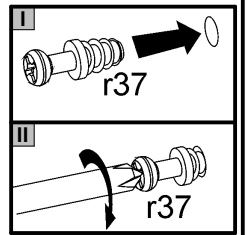
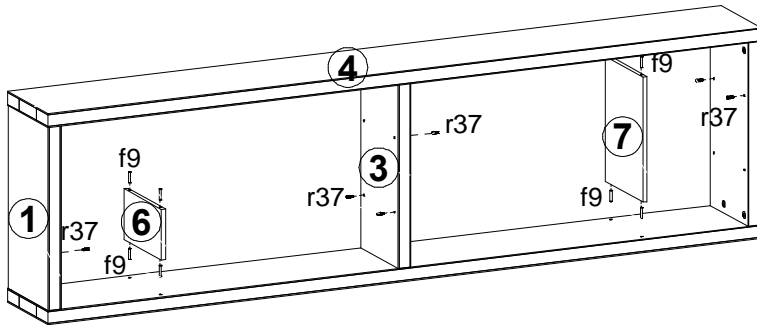
12x φ8x30 mm f1	4x φ11 (x)50 mm f35	8x φ6x30 mm f9	24x I2	2x n38\L	2x n38\p	8x φ4x30 mm p21	4x φ6x60 mm p75	12x φ15x12mm #16 r1
8x 6,7/7,8 r37	8x φ20x13,5mm #19 r41	12x r42	12x ø15 s51					



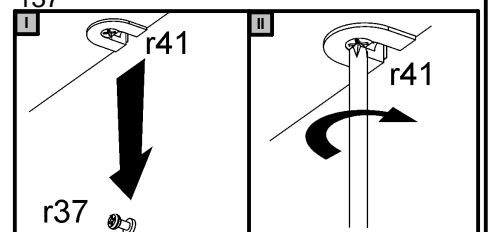
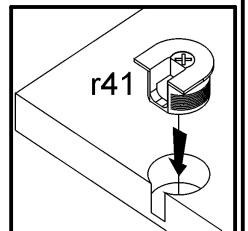
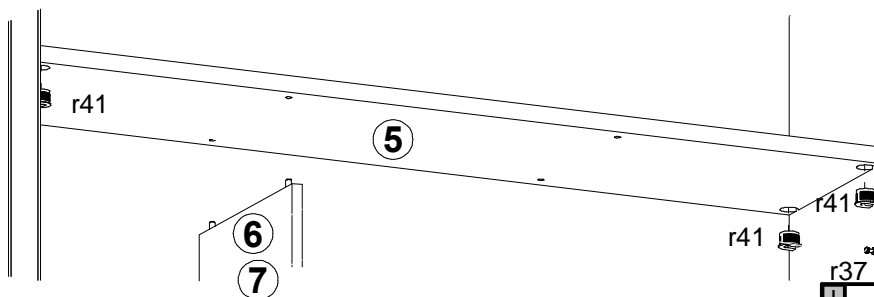
# 4



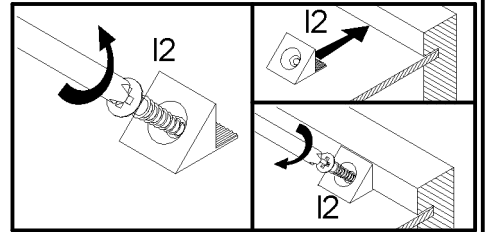
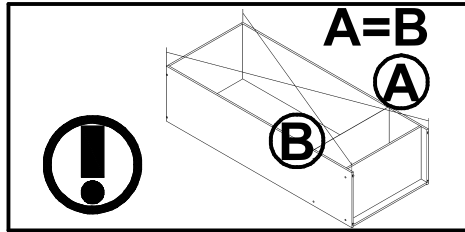
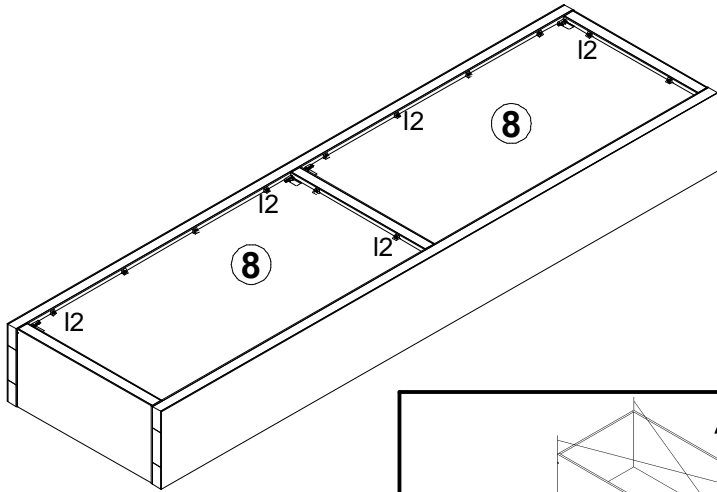
# 5



# 6



# 7



# 8

