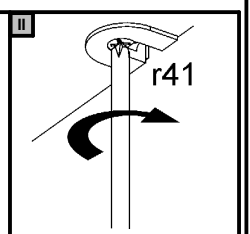
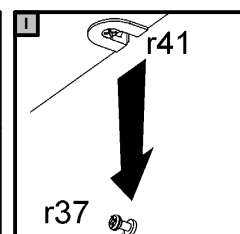
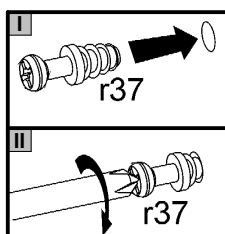
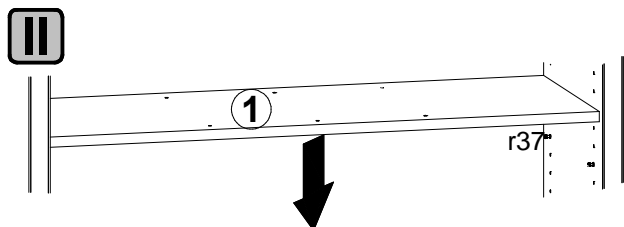
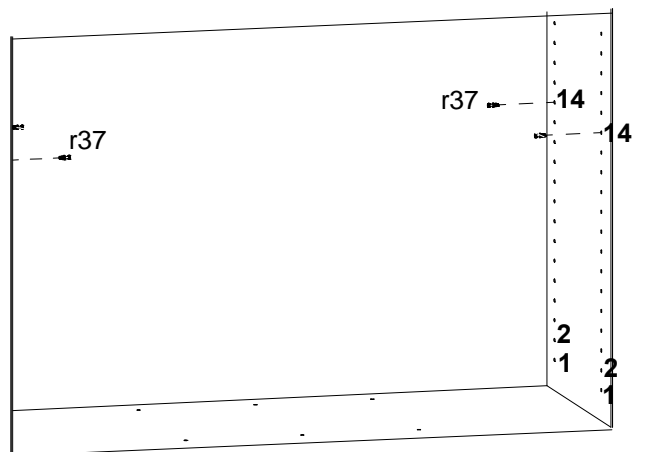
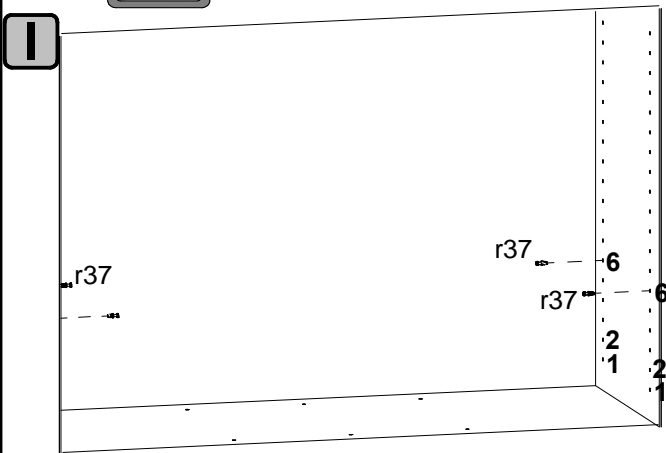
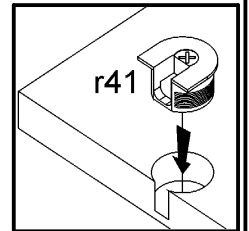
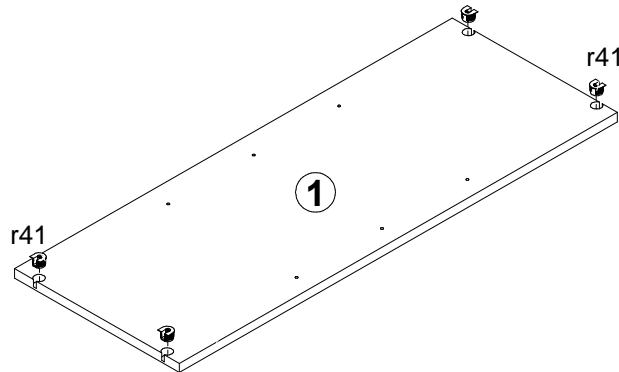
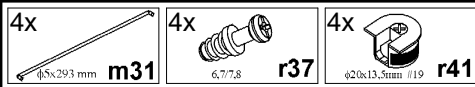
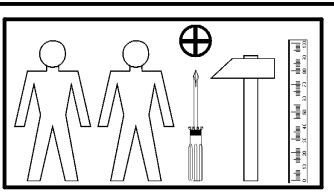
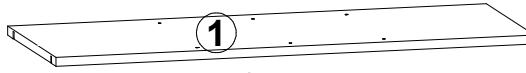
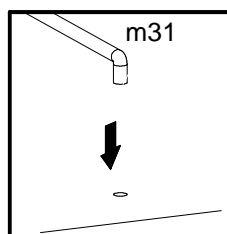
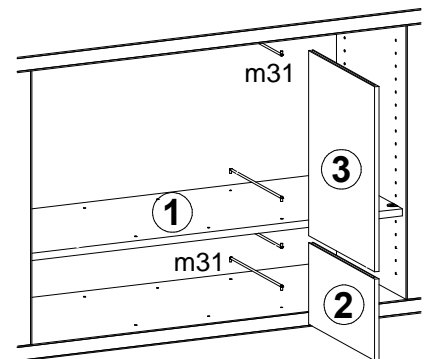
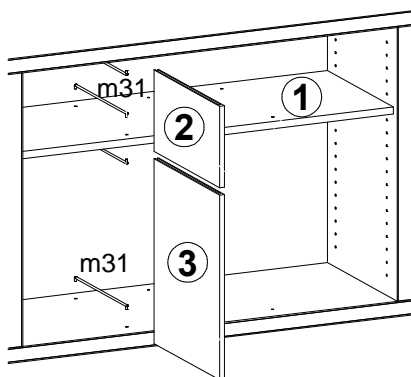
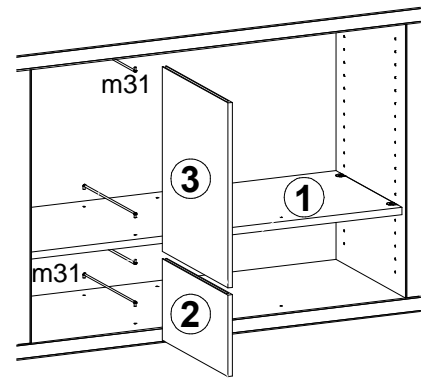
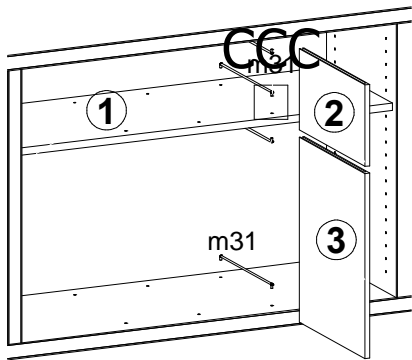
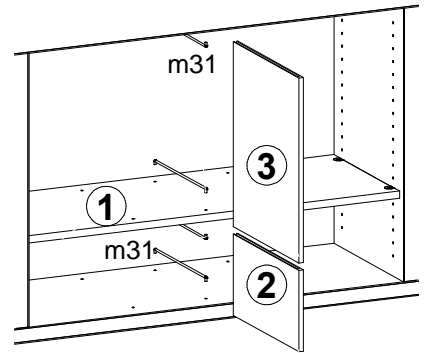
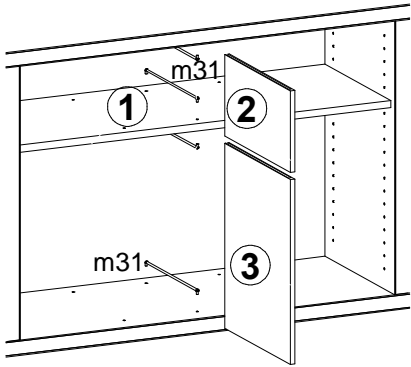


A	B	C	D
1	S68-401	984	371
2	S68-402	201	370
3	S68-404	457	370



3



①