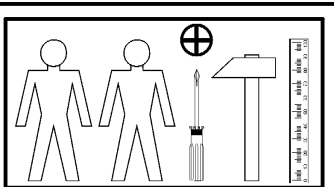
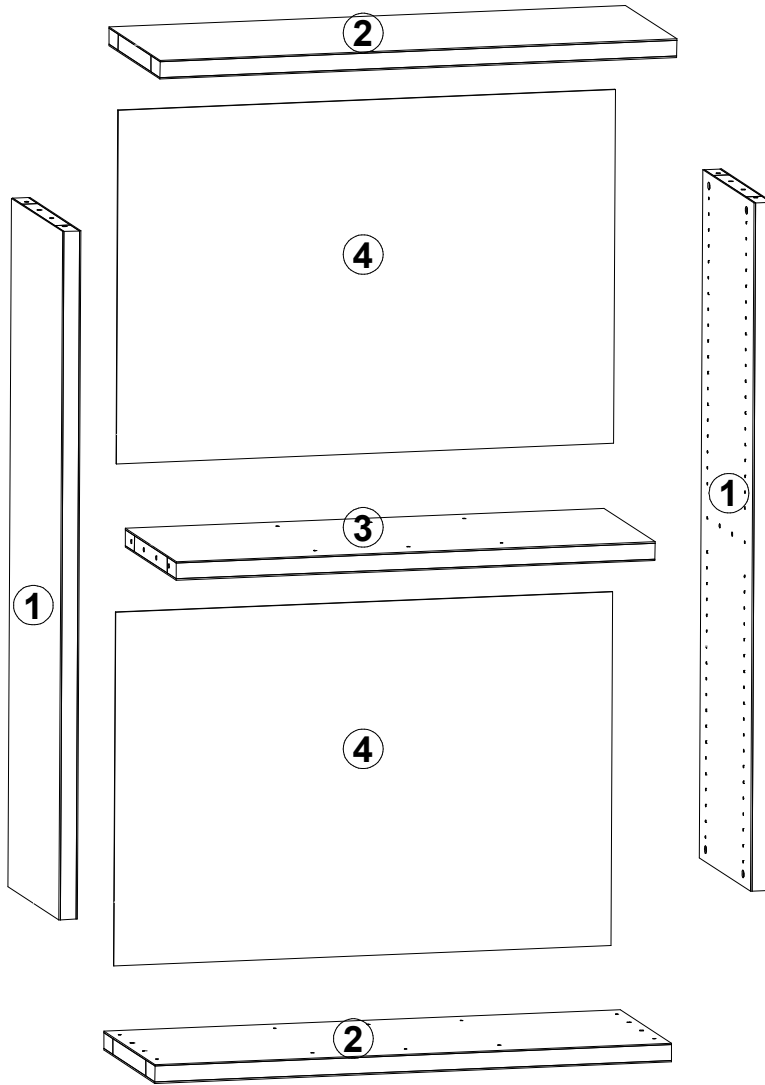
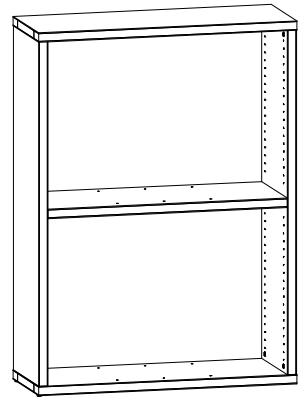
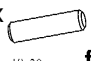
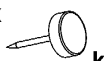



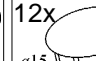
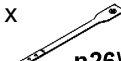



A	B	C		D
1	S68-103	1390	392	1/3
2	S68-201	1062	393	2/3
3	S68-301	984	392	1/3
4	S68-901	714	1022	3/3

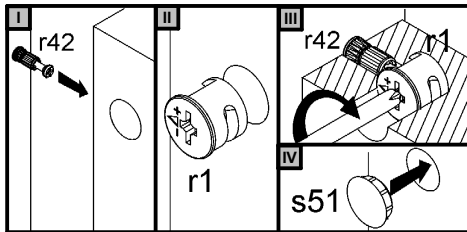
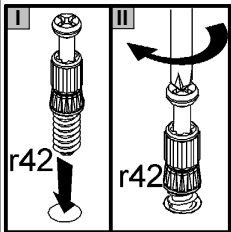
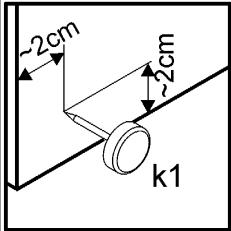
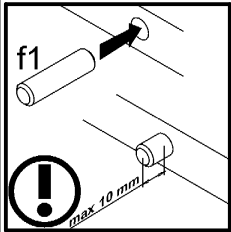
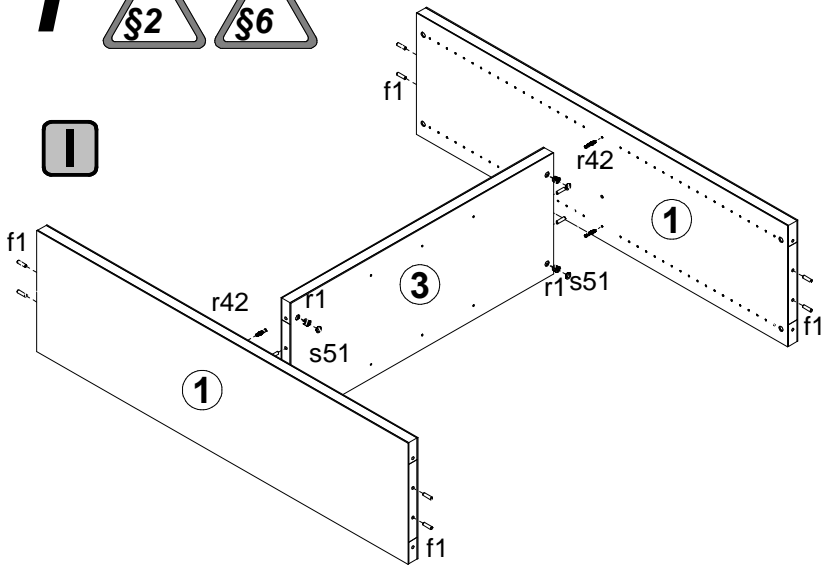


- 12x  $\phi 8 \times 30$ mm **f1**
- 4x  **k1**
- 70x  **l1**
- 12x  $\phi 1.5 \times 12$ mm #16 **r1**
- 12x  **r42**
- 12x  $\phi 15$ **s51**
- 1x  **n26\1**
- 1x  $\phi 3.5 \times 16$ mm **p38**

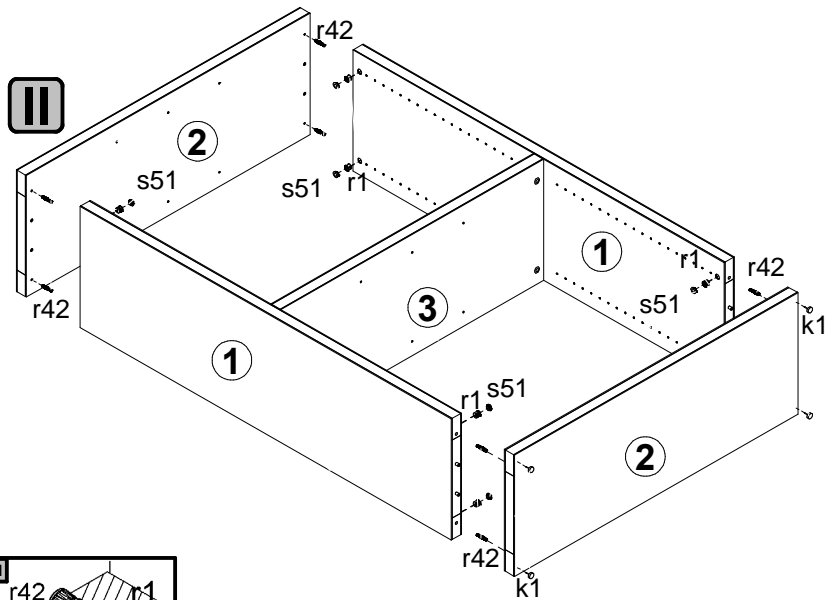
1



I



II



2

