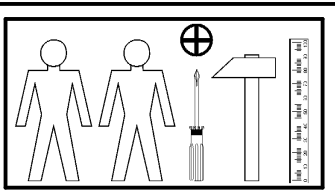
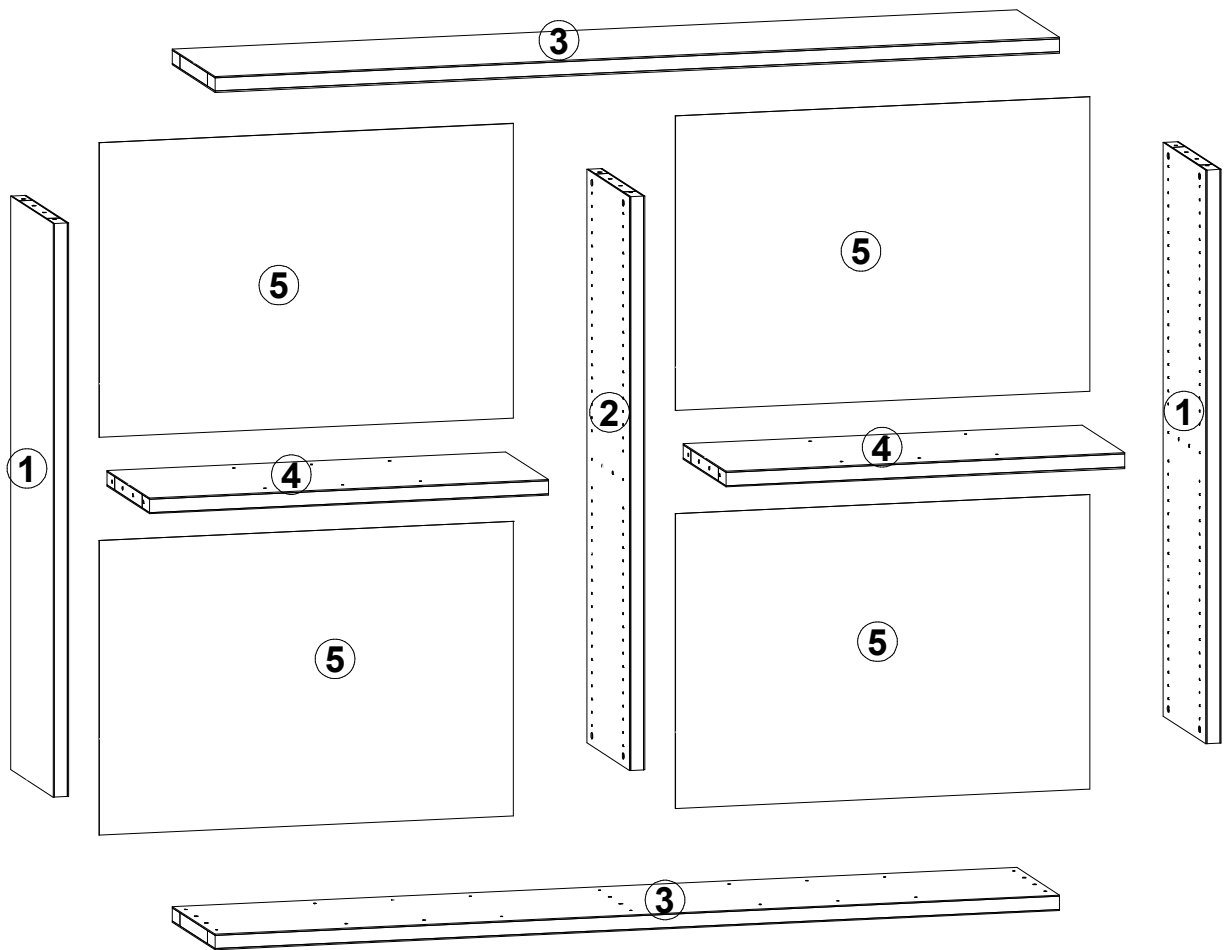
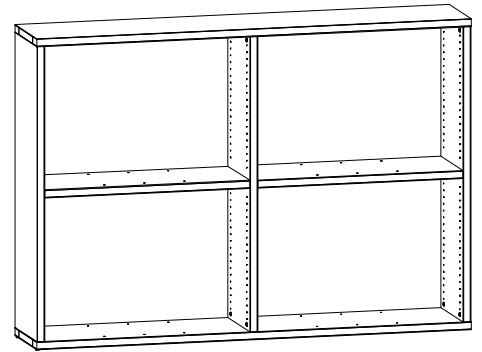
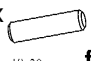
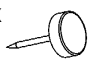




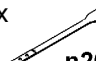

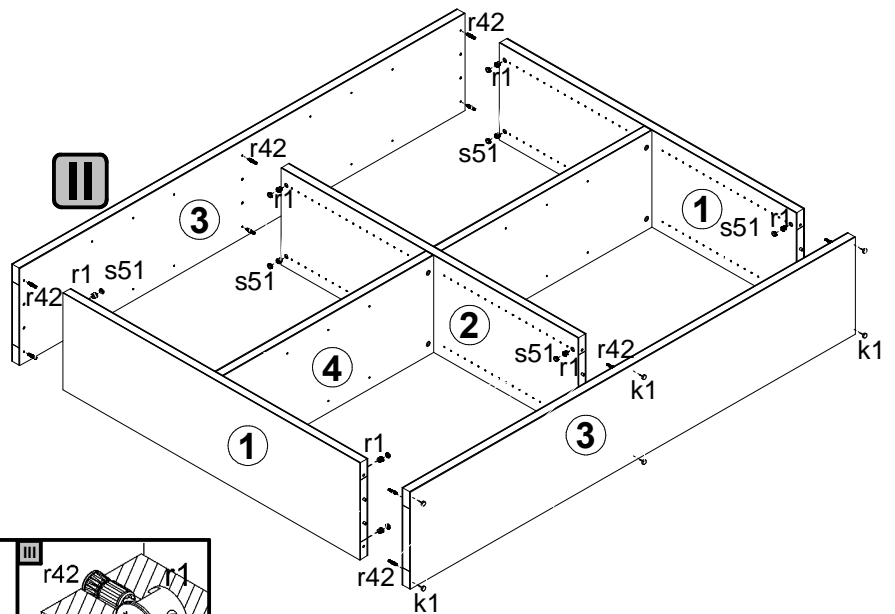
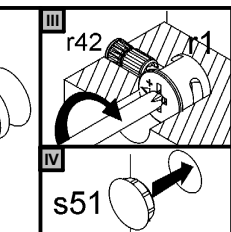
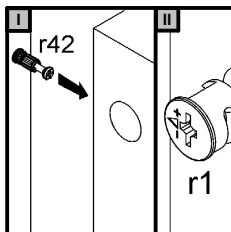
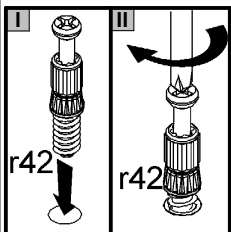
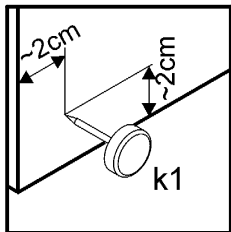
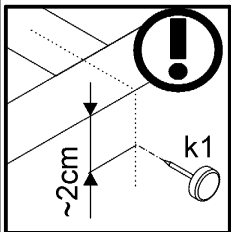
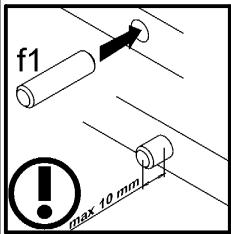
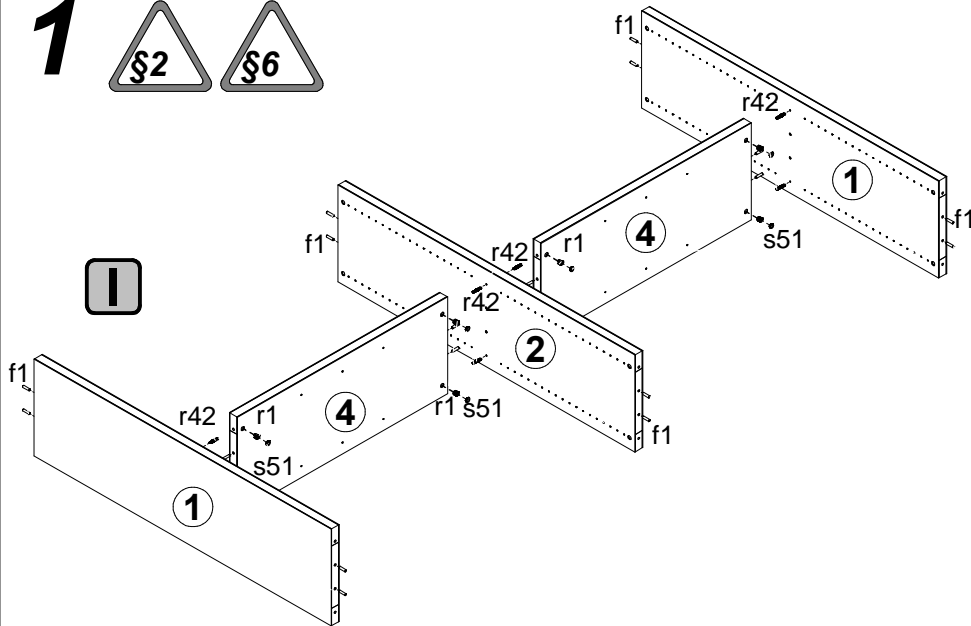


A	B	C	D	
1	S68-103	1390	392	1/4
2	S68-105	1390	392	1/4
3	S68-202	2084	393	2/4
4	S68-301	984	392	1/4
5	S68-901	714	1022	3,4/4



-   
 20x  
 $\phi 8 \times 30$  mm **f1**
-   
 6x  
**k1**
-   
 140x  
**l1**
-   
 20x  
 $\phi 1.5 \times 12$  mm #16 **r1**
-   
 20x  
**r42**
-   
 20x  
 $\phi 15$  **s51**
-   
 1x  
**n26\1**
-   
 1x  
 $\phi 3.5 \times 16$  mm **p38**

# 1



# 2

