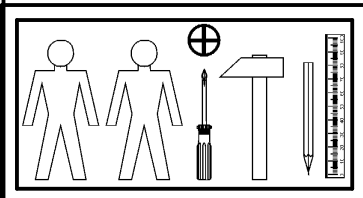
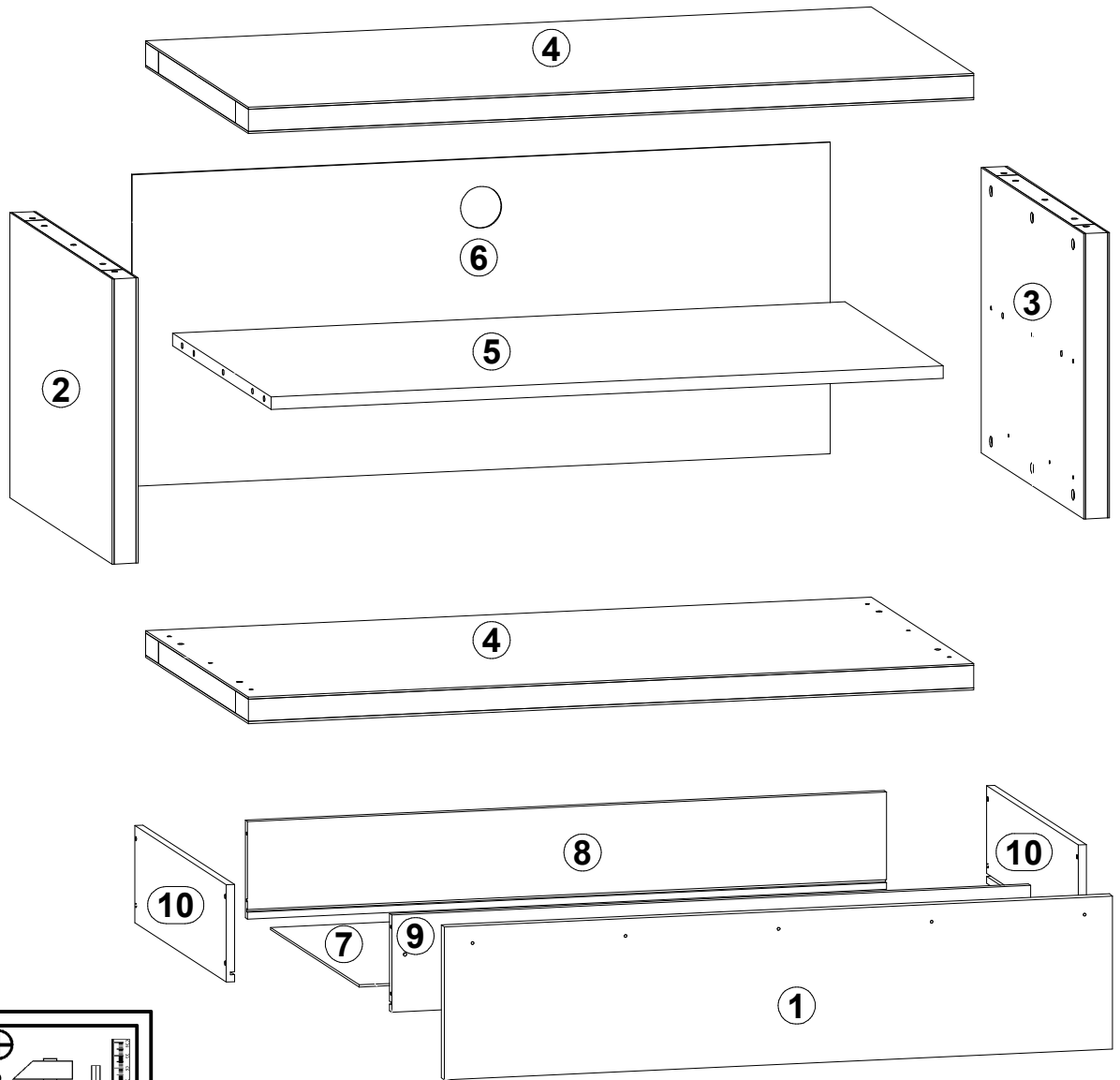
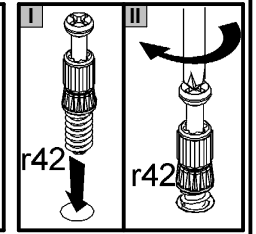
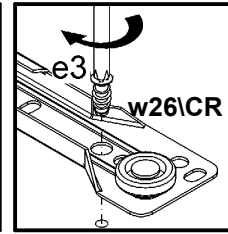
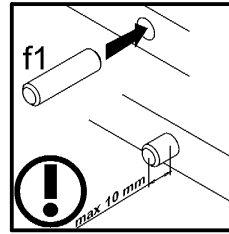
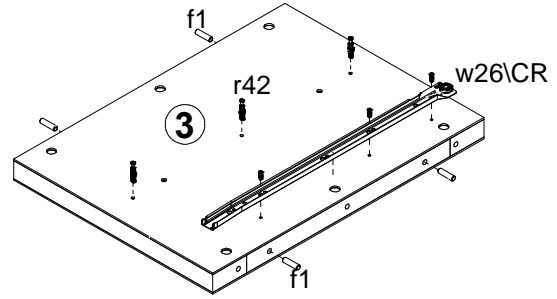
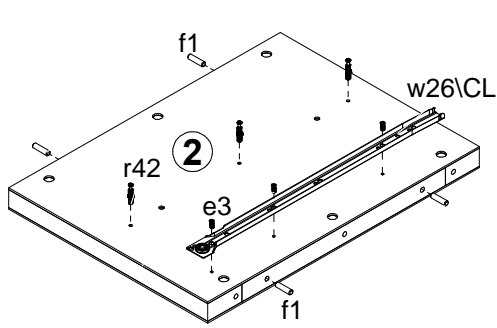


A	B	C	D	
1	S68-006	220	978	2/2
2	S68-109	410	559	1/2
3	S68-110	410	559	1/2
4	S68-204	1062	560	1/2
5	S68-409	984	539	1/2
6	S68-902	448	1022	1/2
7	S68-906	946	485	1/2
8	ZS1-1533	935	140	1/2
9	ZS1-1534	935	140	1/2
10	ZS1-1535	500	140	1/2

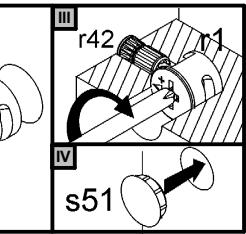
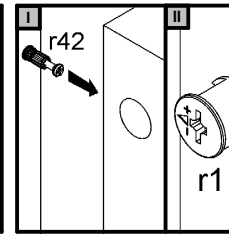
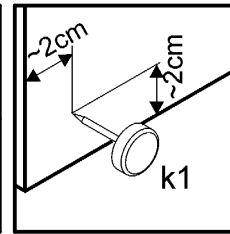
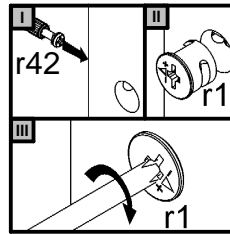
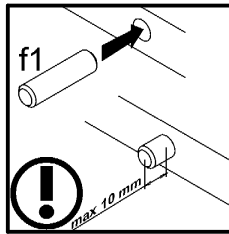
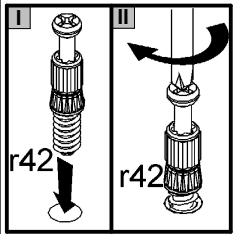
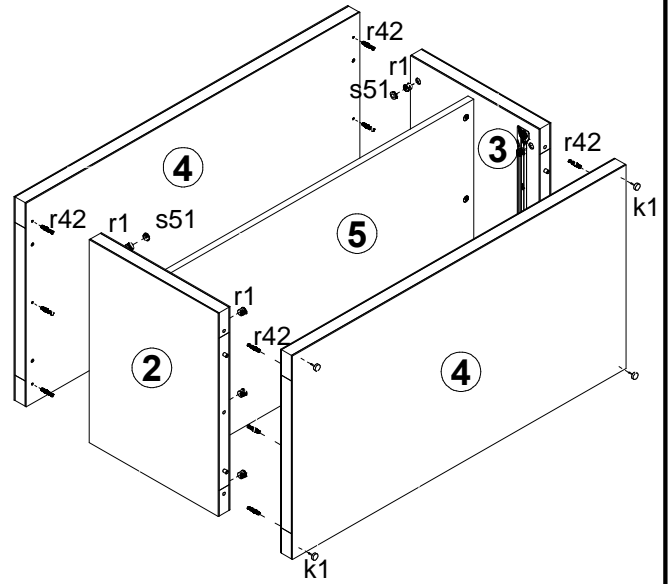
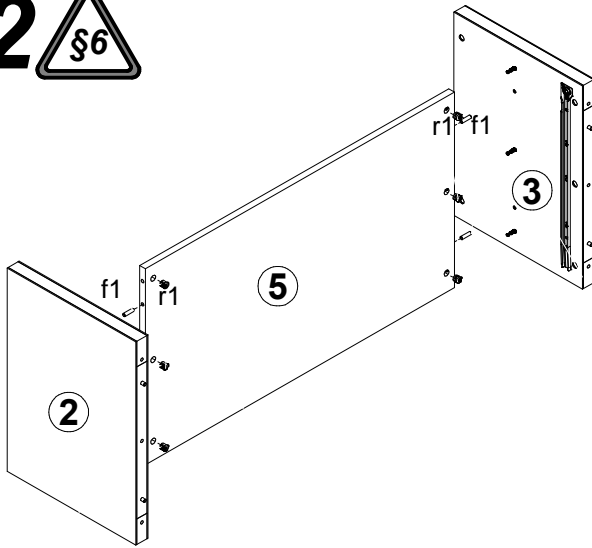


1x 928mm c223I4	6x φ6x13 mm e3	8x φ5x50 mm e32	12x φ8x30 mm f1	3x M4x20 mm j1	4x k1	45x l1	4x φ2,5x13 mm p15	2x φ3,5x16 mm p25
18x φ1,5x12mm #16 r1	3x φ2,1x10mm r31	18x r42	6x φ15 s51	1x 475 mm t32	1x 500 mm w26\CL	1x 500 mm w26\CR	1x 500 mm w26\DL	1x 500 mm w26\DR
5x φ3x26 mm p97								

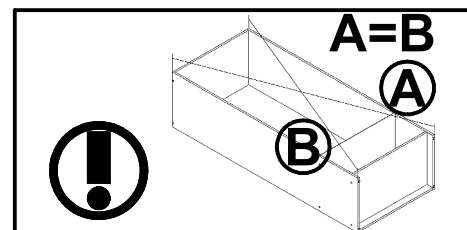
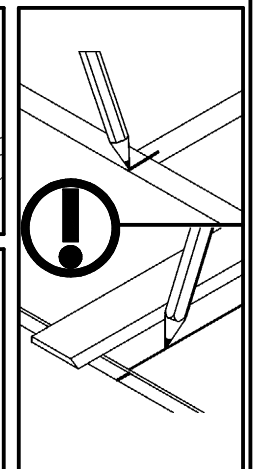
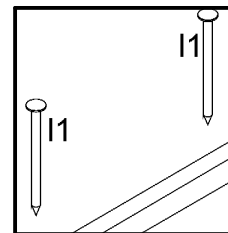
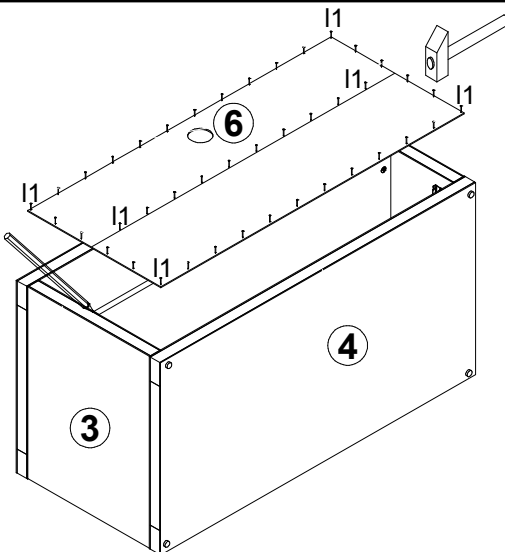
1



2



3



4

