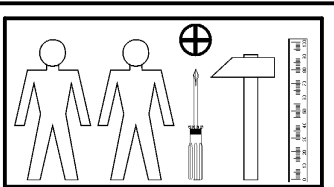
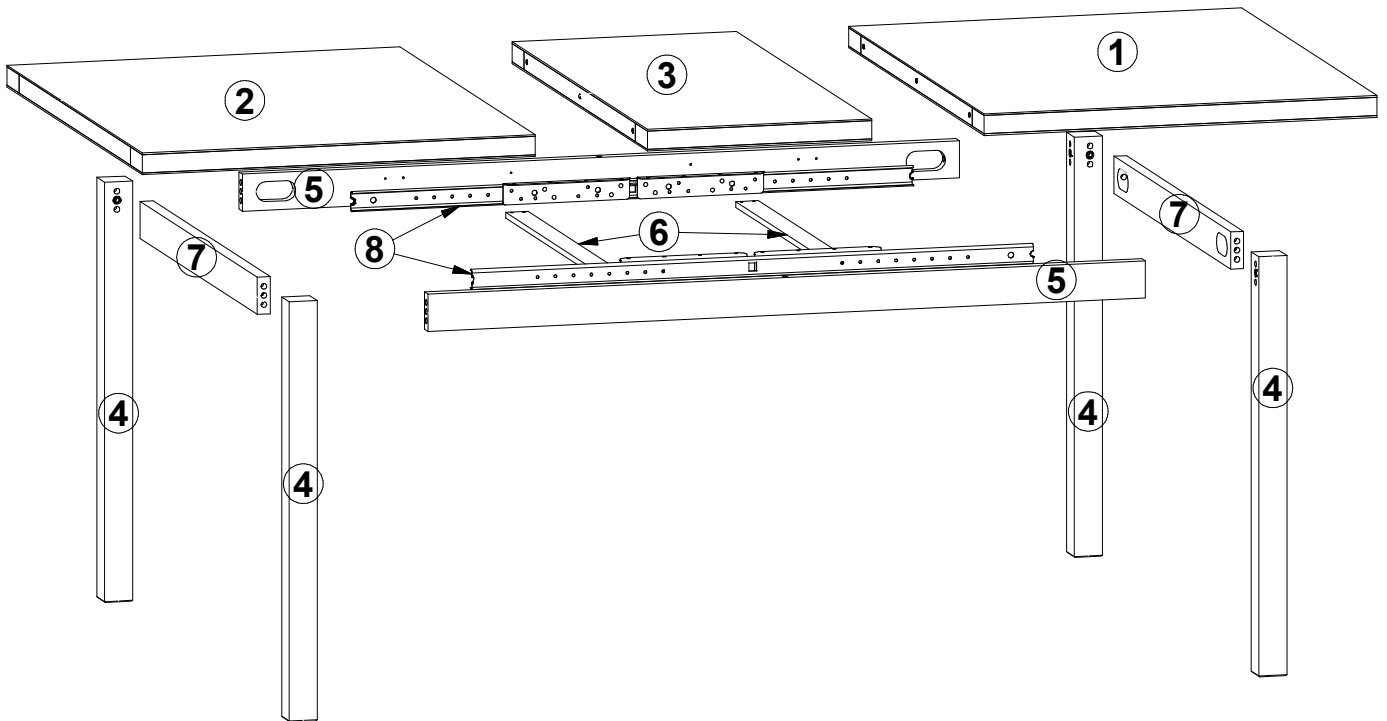
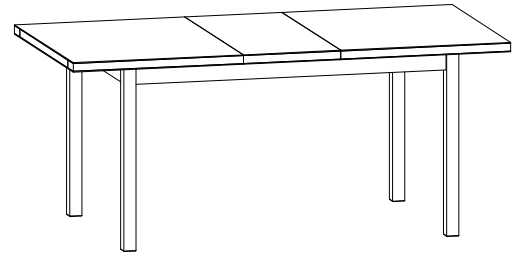
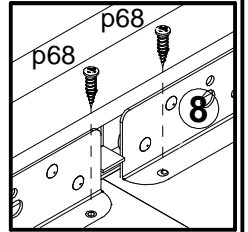
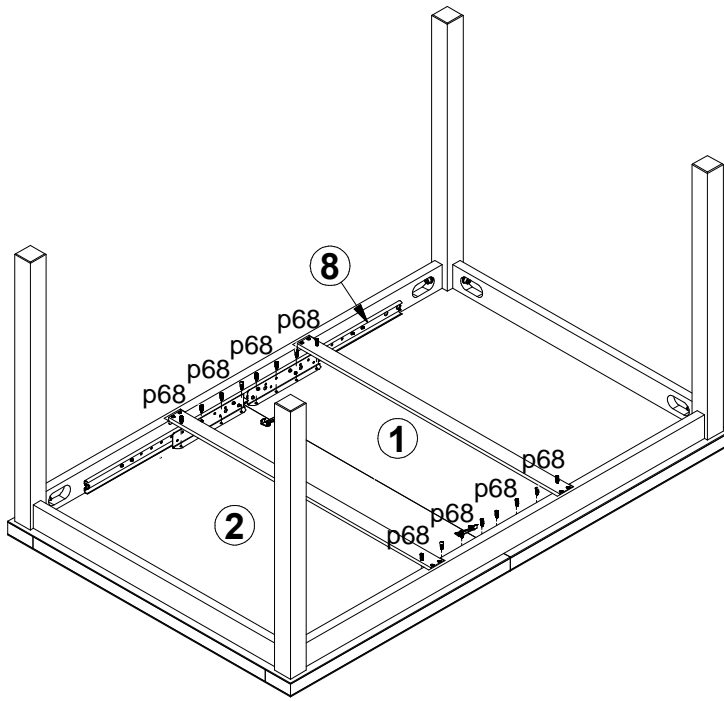


A	B	C	D	
1	S68-209	900	700	1/2
2	S68-210	900	700	1/2
3	S68-211	900	400	1/2
4	S68-425	736	50	2/2
5	S68-426	1278	65	2/2
6	S68-427	840	40	2/2
7	S68-428	778	65	2/2
8	w59	1000		2/2

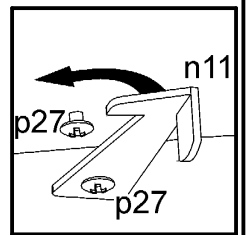
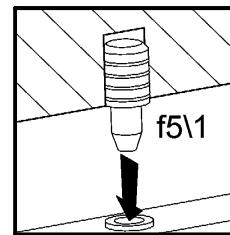
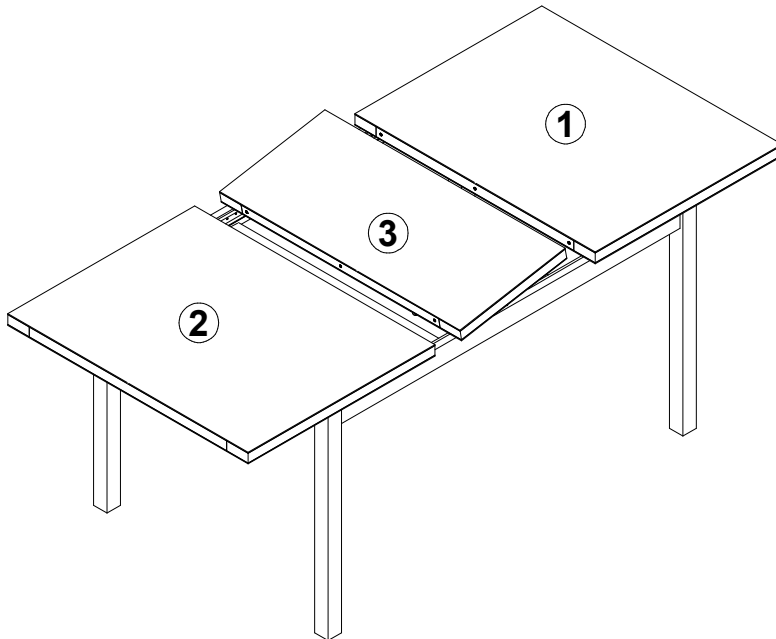


2x metalowy f5\1	16x $\phi 10 \times 40$ mm f27	8x M8x40 mm j54	4x n11	8x $\phi 8 \phi 17 \times 1.8$ mm o28	8x $\phi 4 \times 30$ mm p21	8x $\phi 3.5 \times 13$ mm p27	28x $\phi 4 \times 20$ mm p68	1x 6mm z16
------------------------	--------------------------------------	-----------------------	-----------	---	------------------------------------	--------------------------------------	-------------------------------------	------------------

3



4



5

