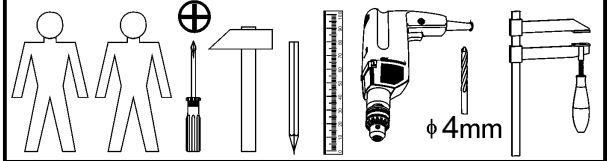
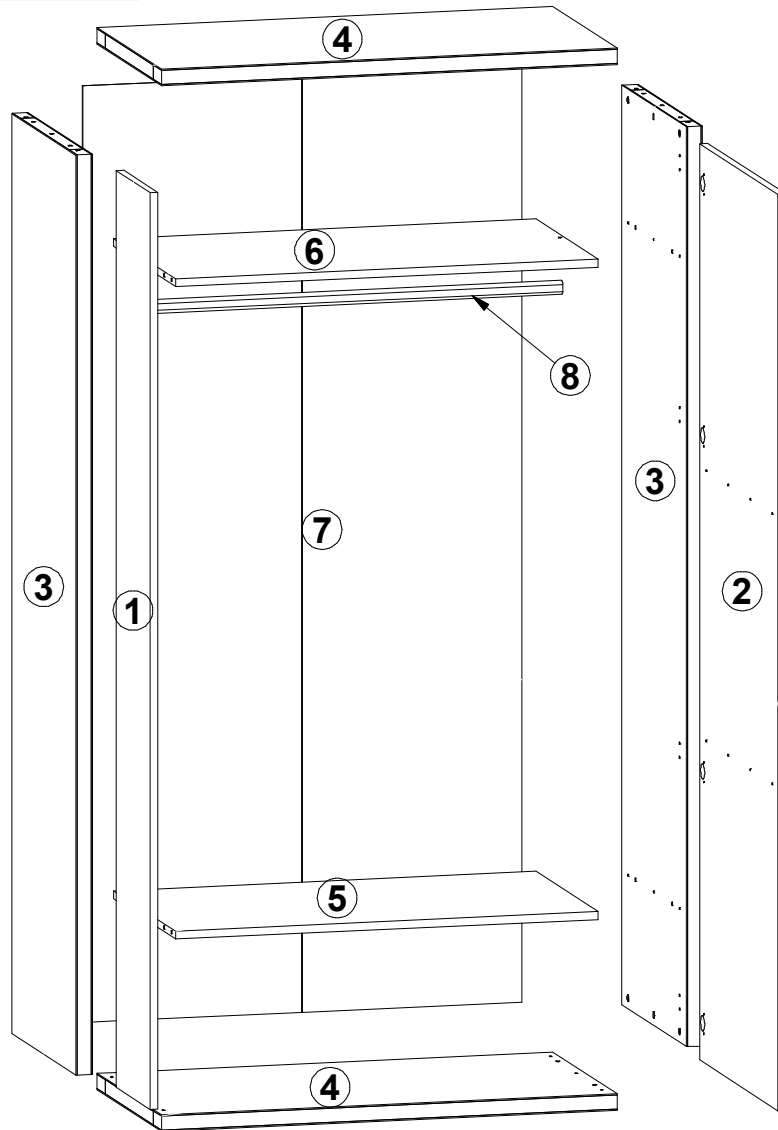
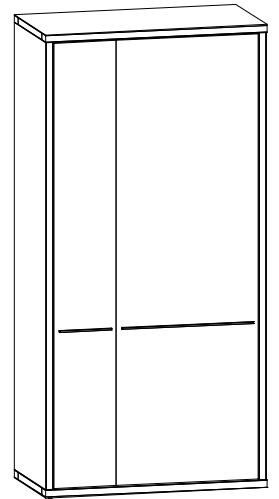
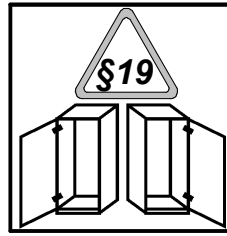
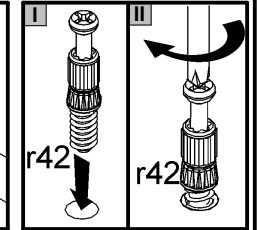
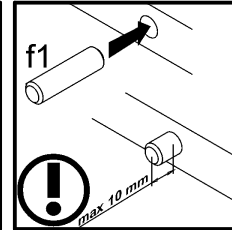
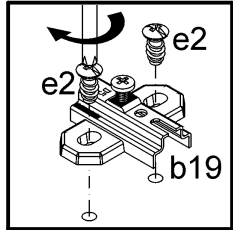
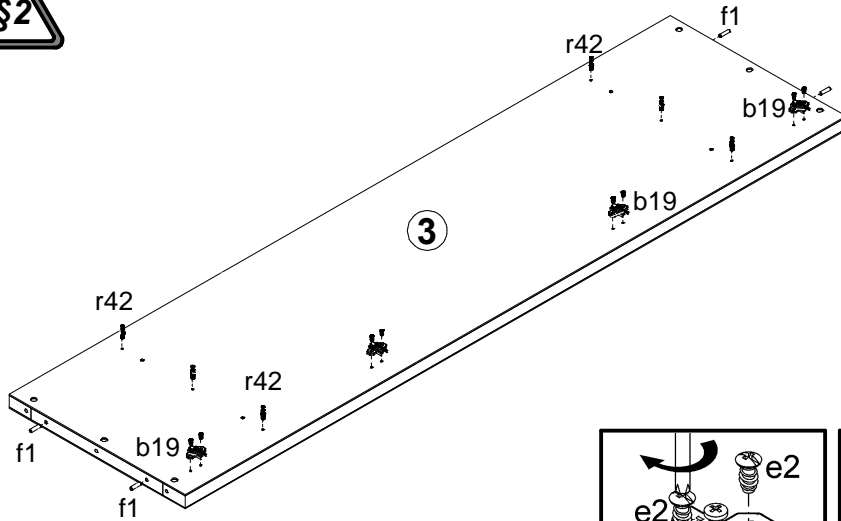


A	B	C	D
1	S68-007	2096	296
2	S68-008	2096	680
3	S68-112	2104	559
4	S68-204	1062	560
5	S68-409	984	539
6	S68-410	984	539
7	S68-903	2142	1023
8	dr-969	969	30

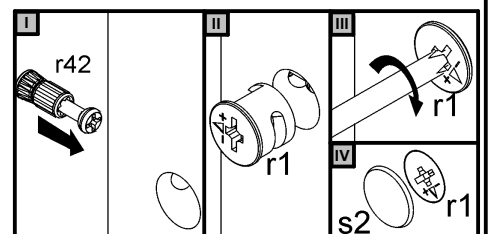
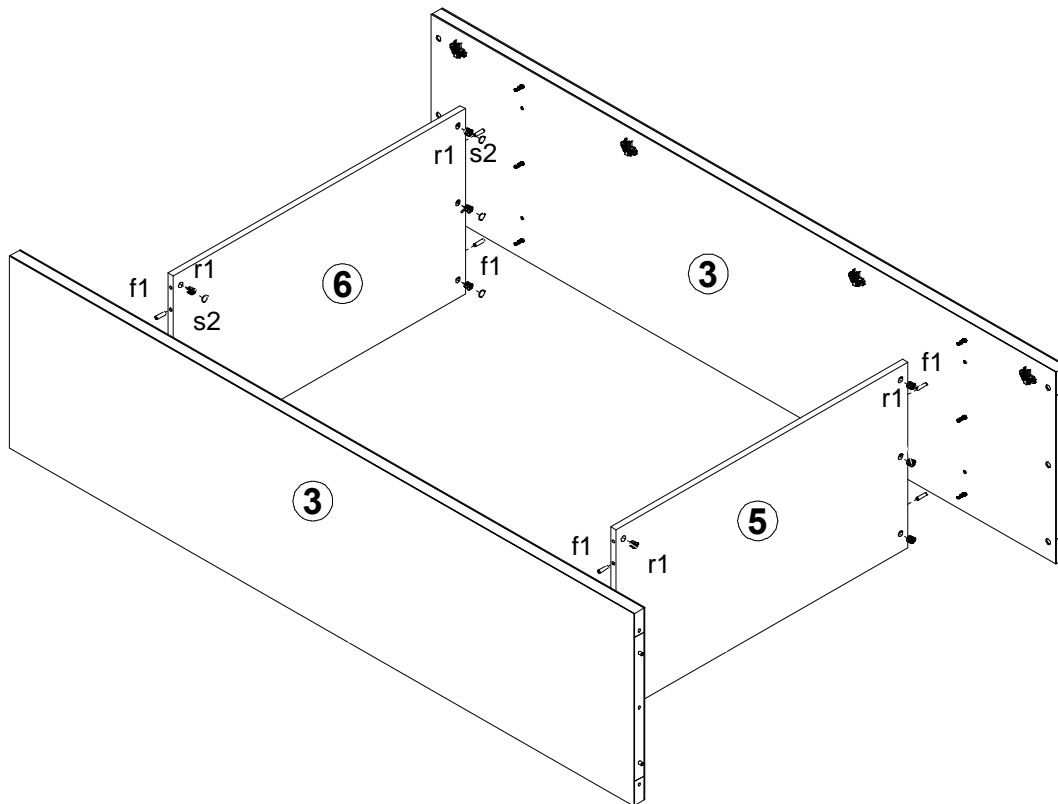


8x a43	8x b19	1x c223\1 246mm	1x c223\3 630mm	16x e2 φ6,3x13 mm	16x f1 φ8x30 mm	2x j101 M6x25 mm	4x k1	90x l1
2x n107	20x p51 φ3,5x15 mm	6x p97 φ3x26 mm	24x r1 φ1,5x12mm #16	24x r42	6x s2 ø16	12x s51 ø15	1x n26\1	1x p38 φ3,5x16 mm

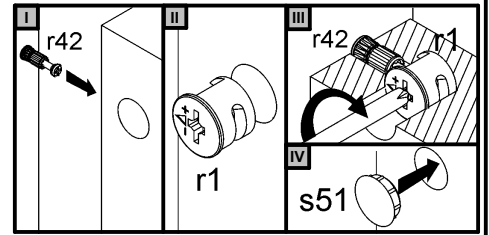
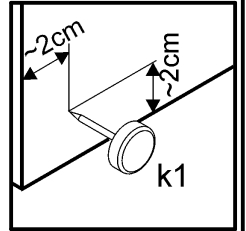
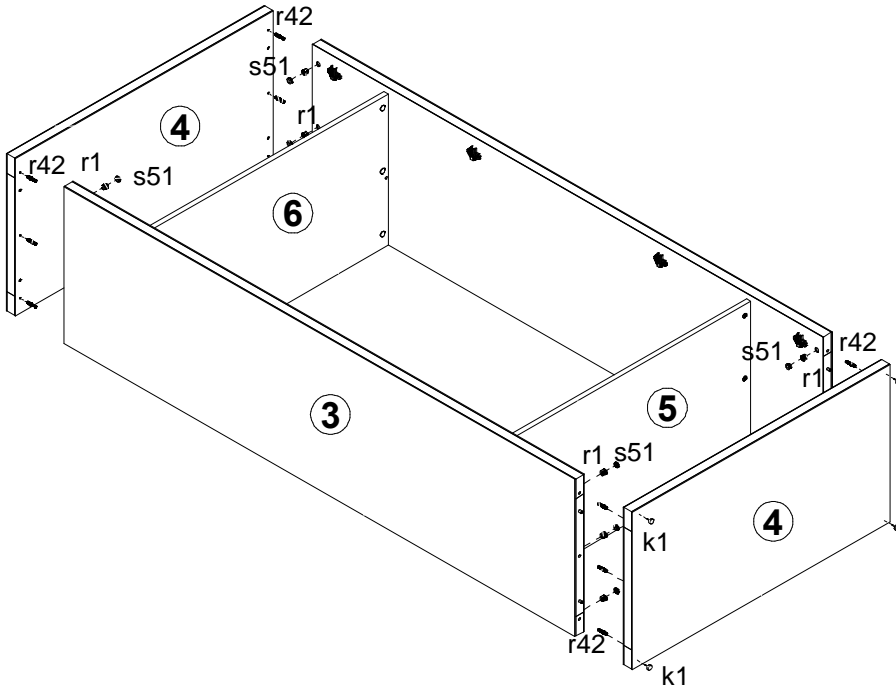
1



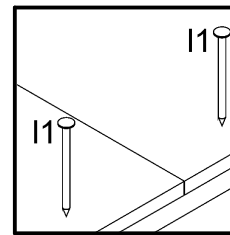
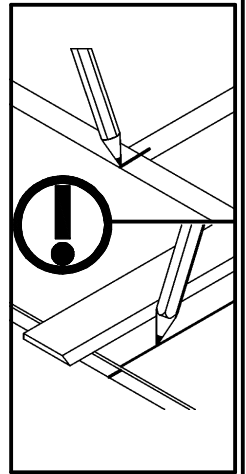
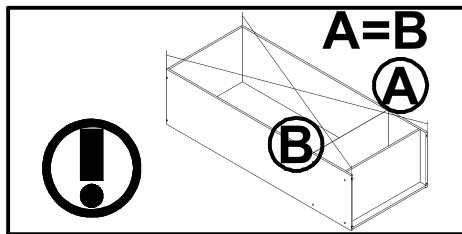
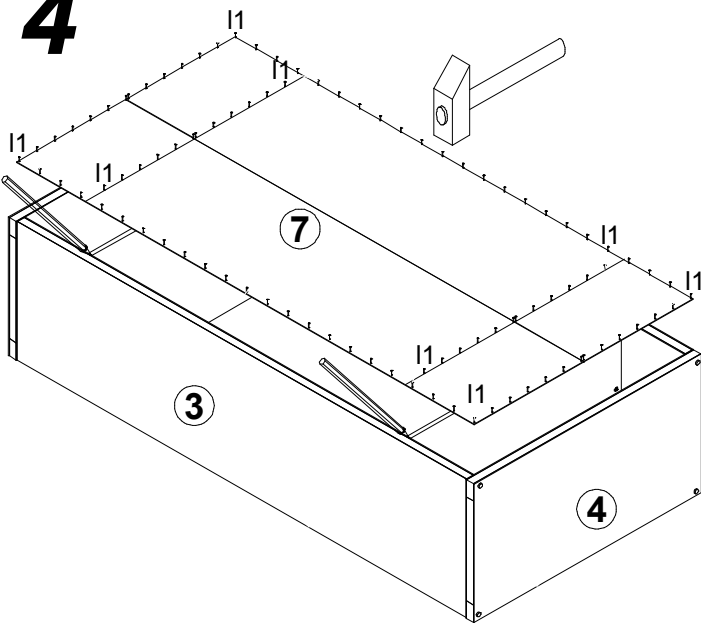
2



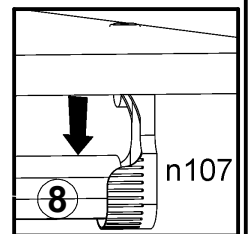
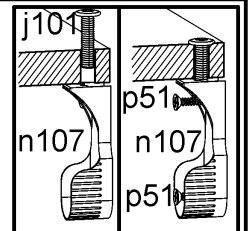
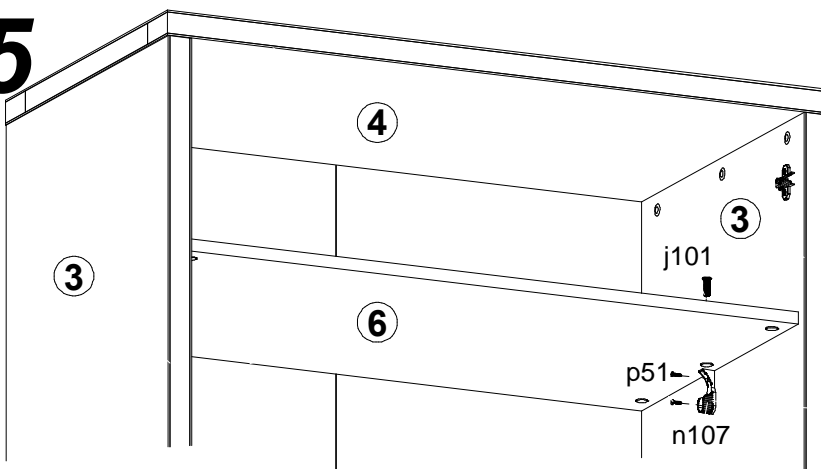
3



4



5



6

