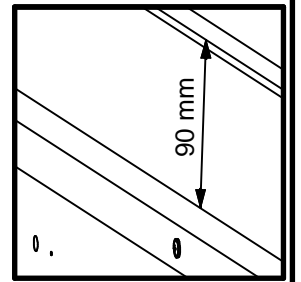
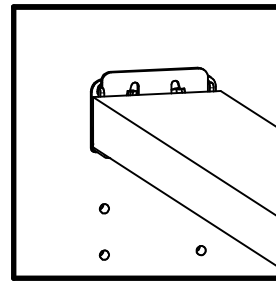
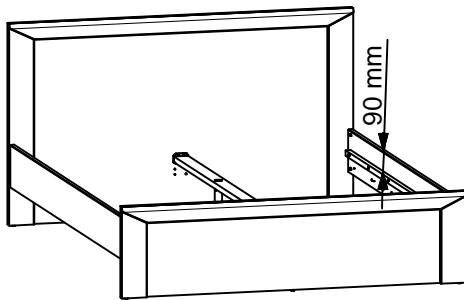
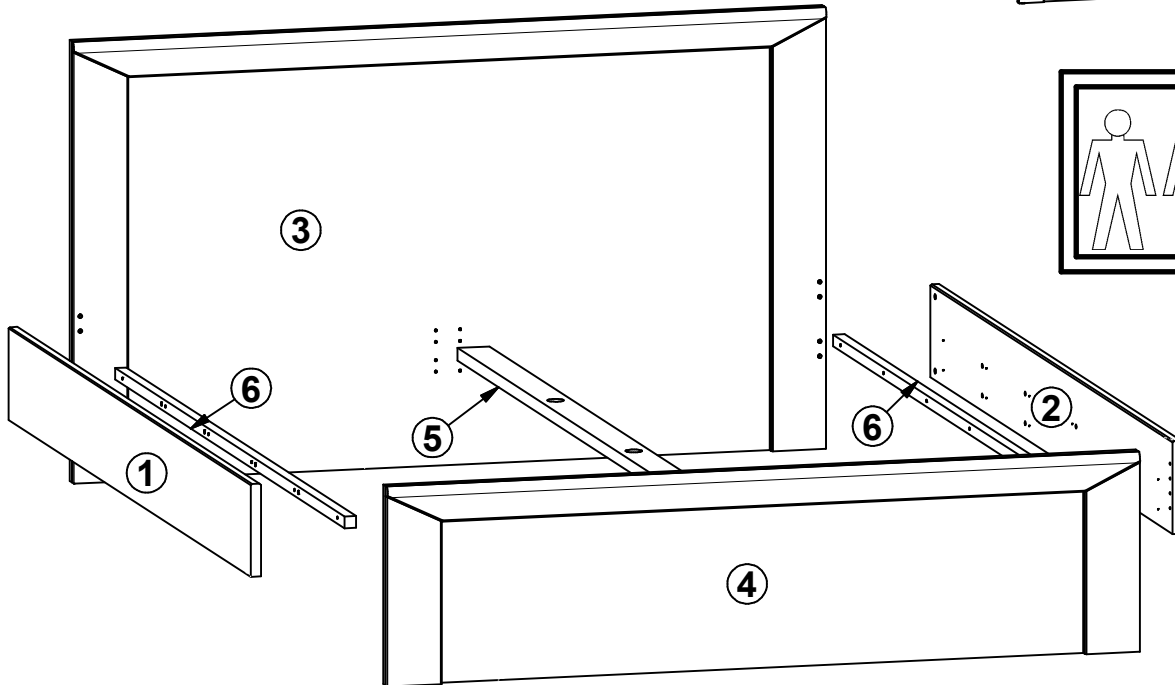
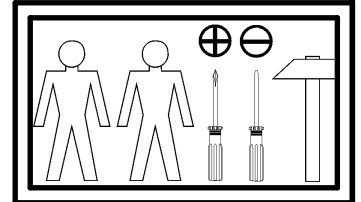
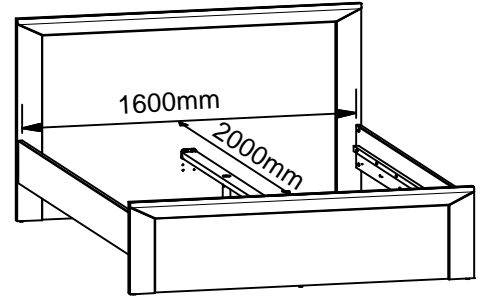
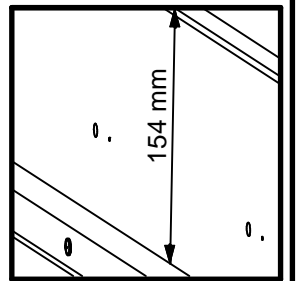
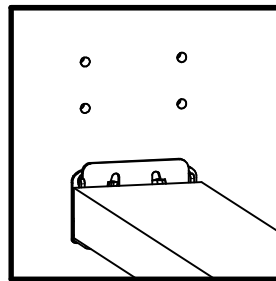
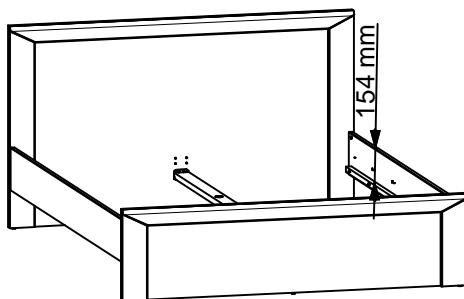
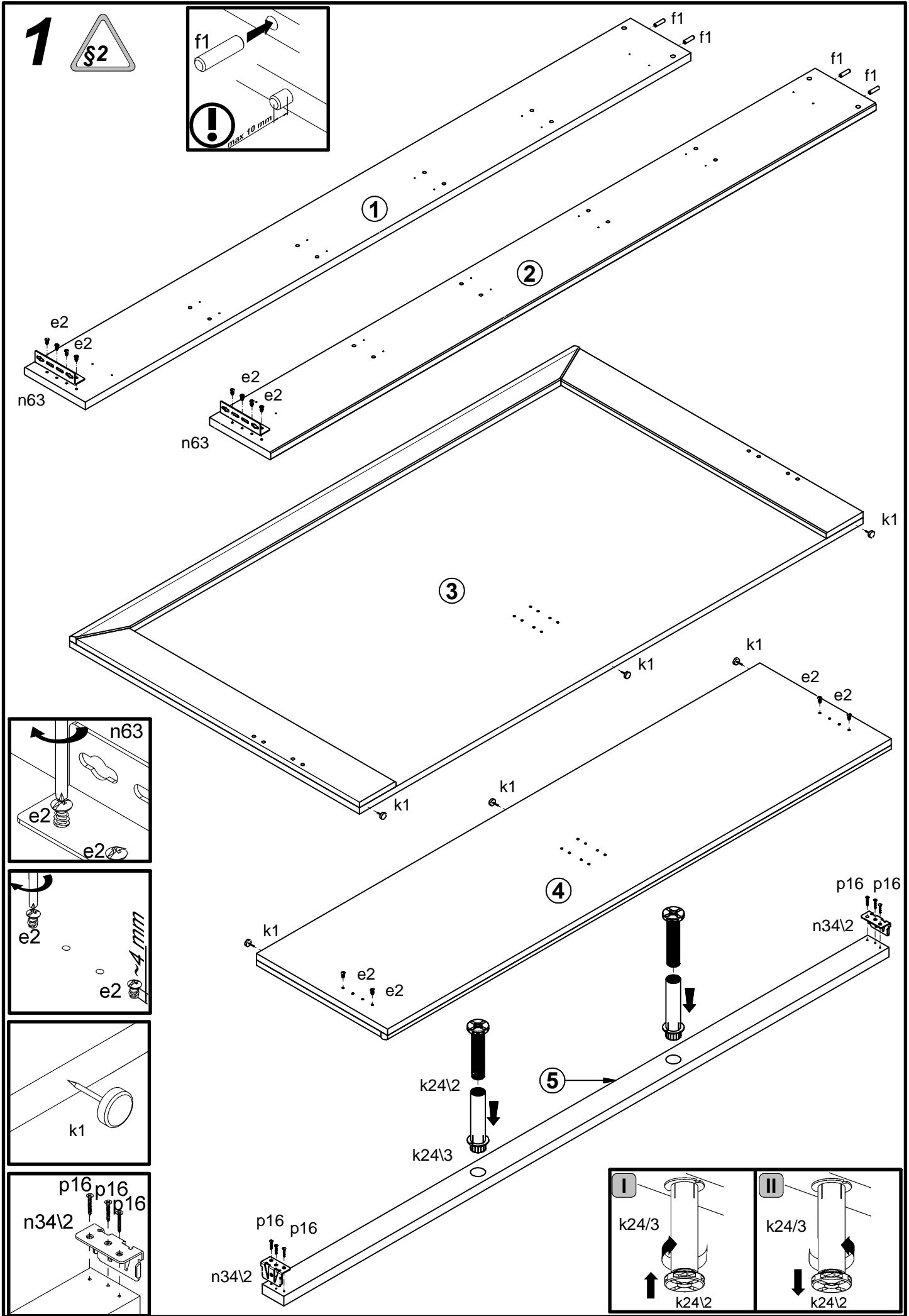


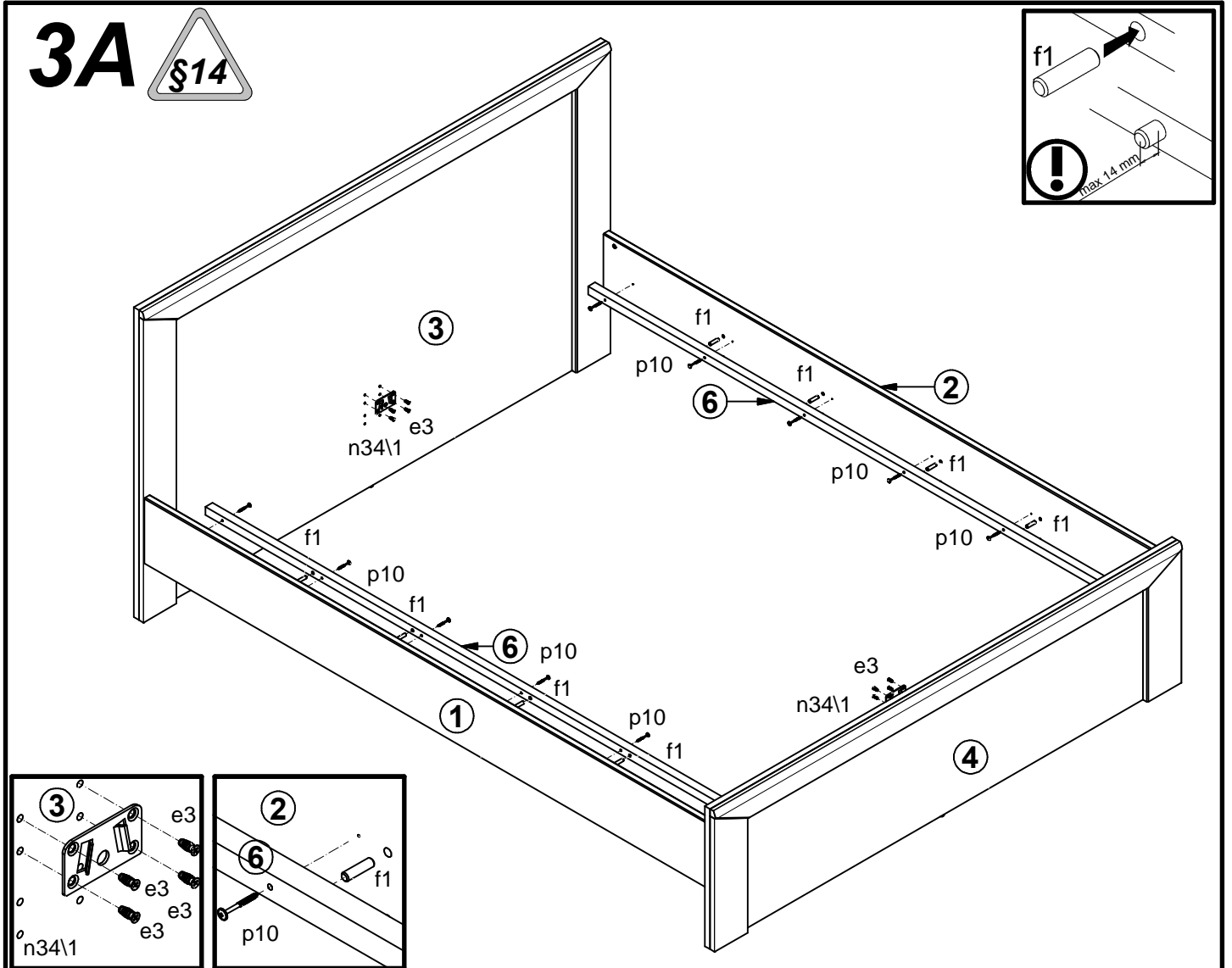
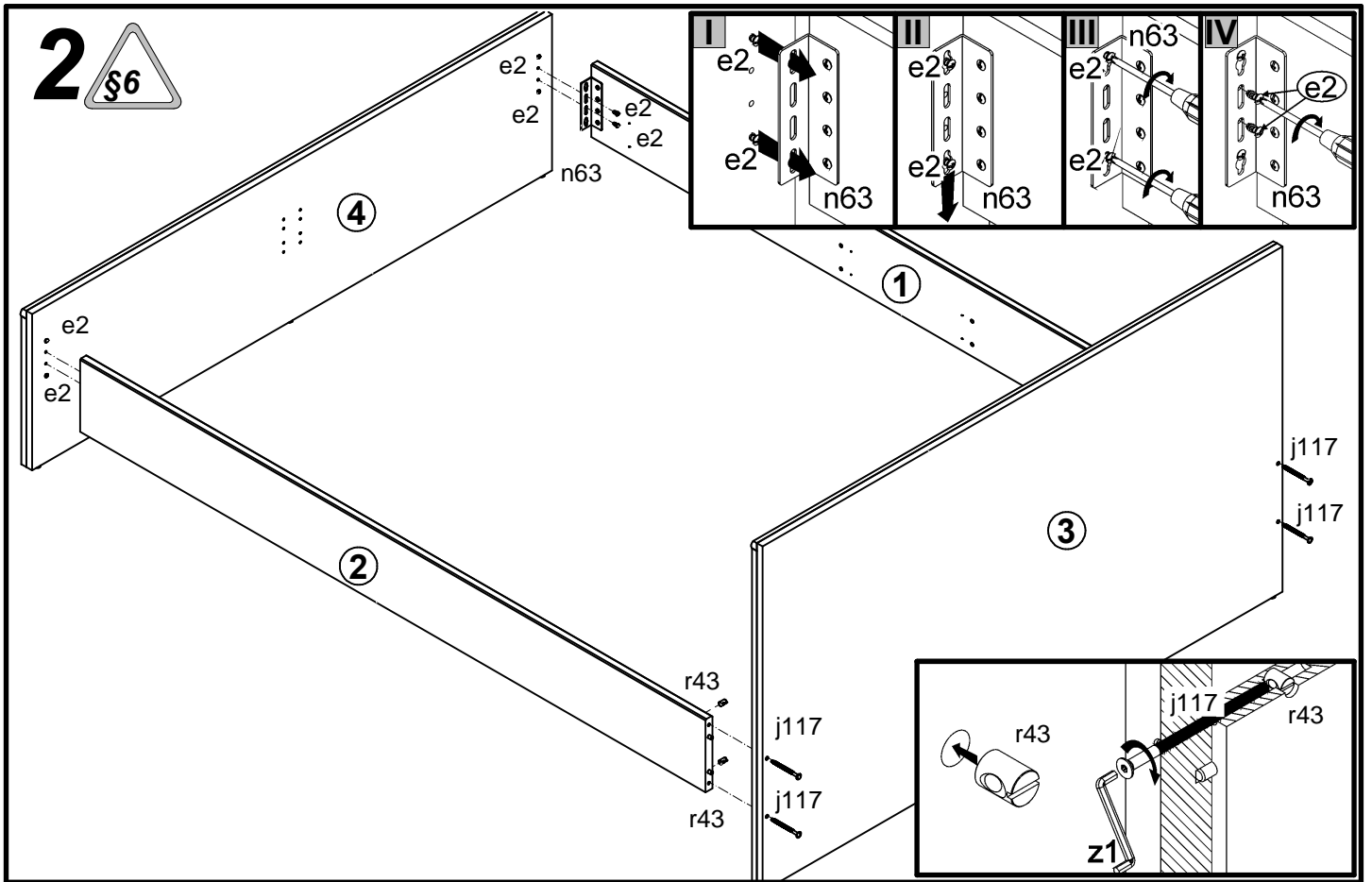
A**DANTON****S305-LOZ/160**

A	B	C	D	
1	S305-122	1984	200	3/3
2	S305-123	1984	200	3/3
3	S305-421	1650	950	1/3
4	S305-422	1650	430	2/3
5	ZZ1-745	1983	70	3/3
6	ZZ1-747	1880	25	3/3

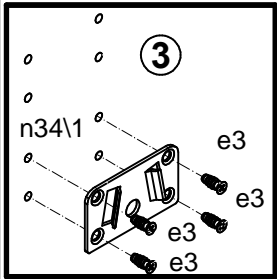
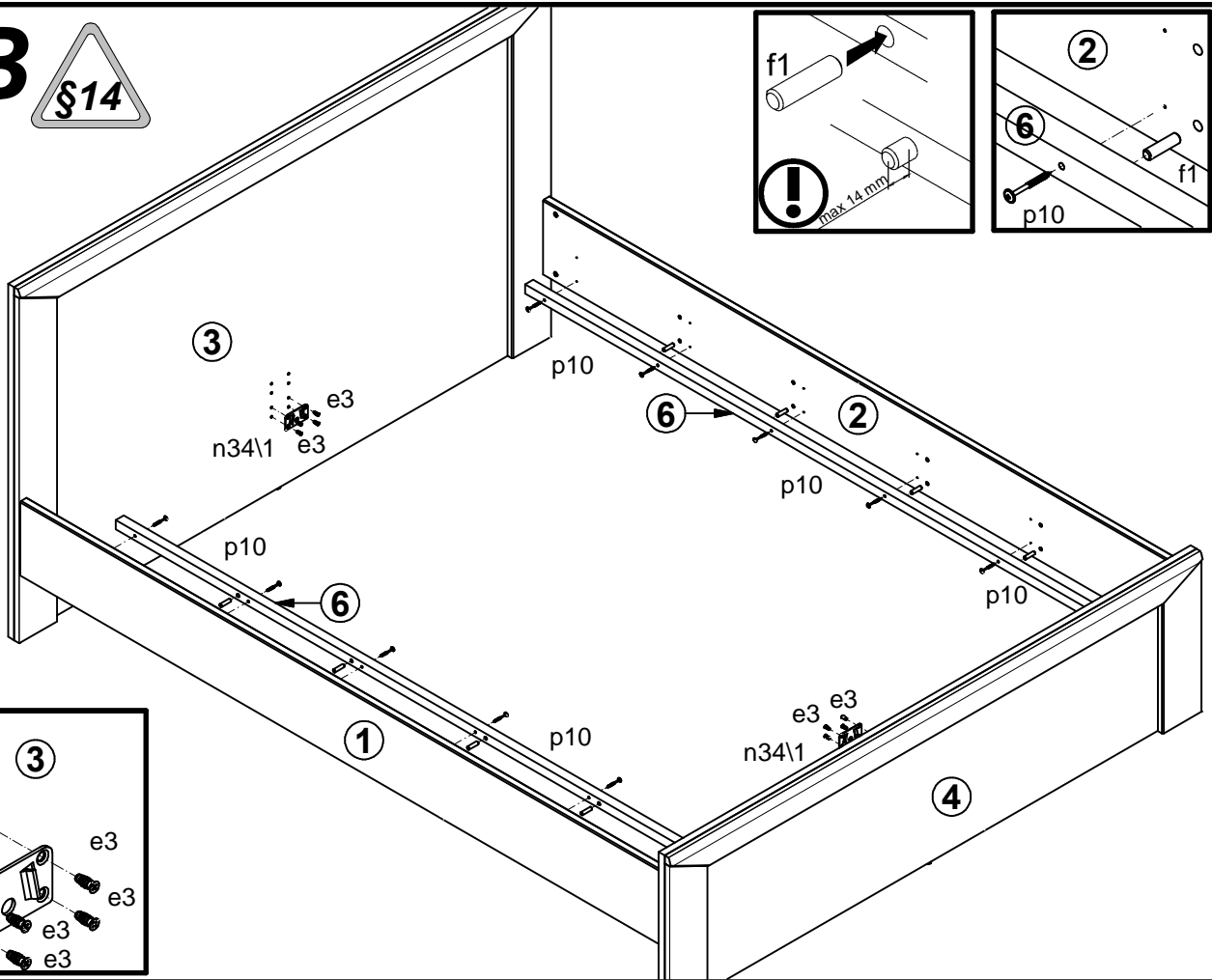
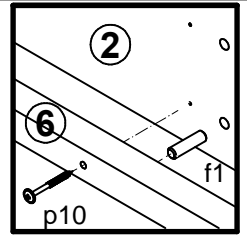
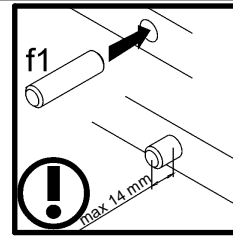
**A****B**

16x Ø6,3x13 mm e2	8x Ø6x13 mm e3	12x Ø8x30 mm f1	4x M6x84 mm j117	6x k1	2x k24/2	2x k24/3	2x n34/1	2x n34/2
2x 130x34x34/2 mm n63	6x Ø4x35 mm p6	12x Ø4x40 mm p10	6x Ø3,5x25 mm p16	4x Ø10x16 mm r43	1x z1			

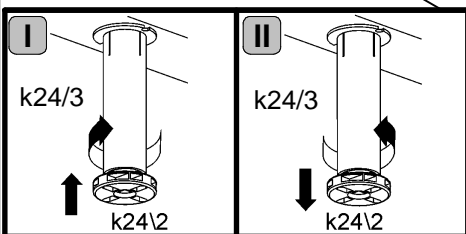
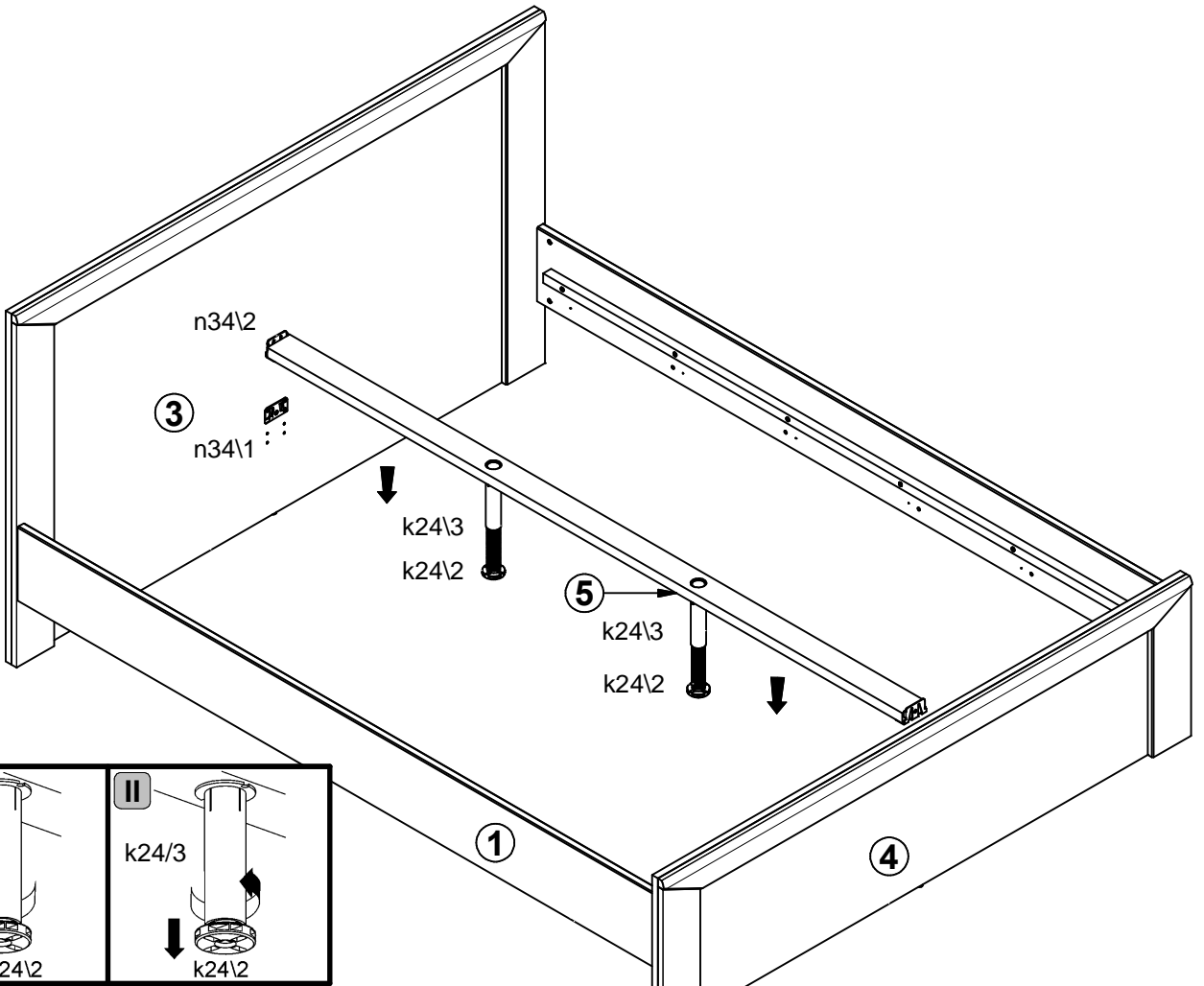




3B



4



5

