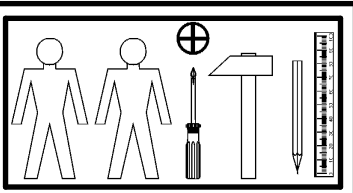
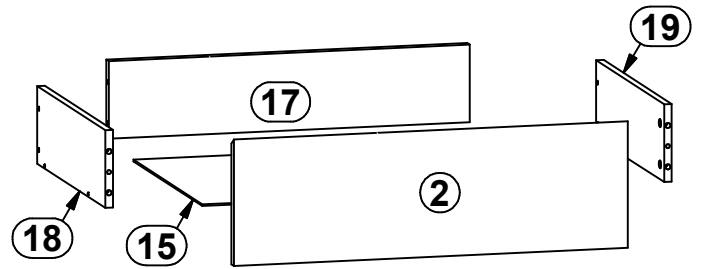
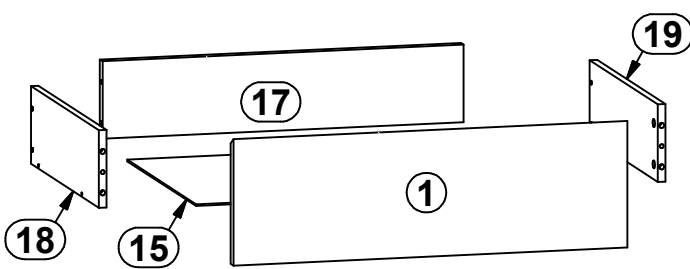
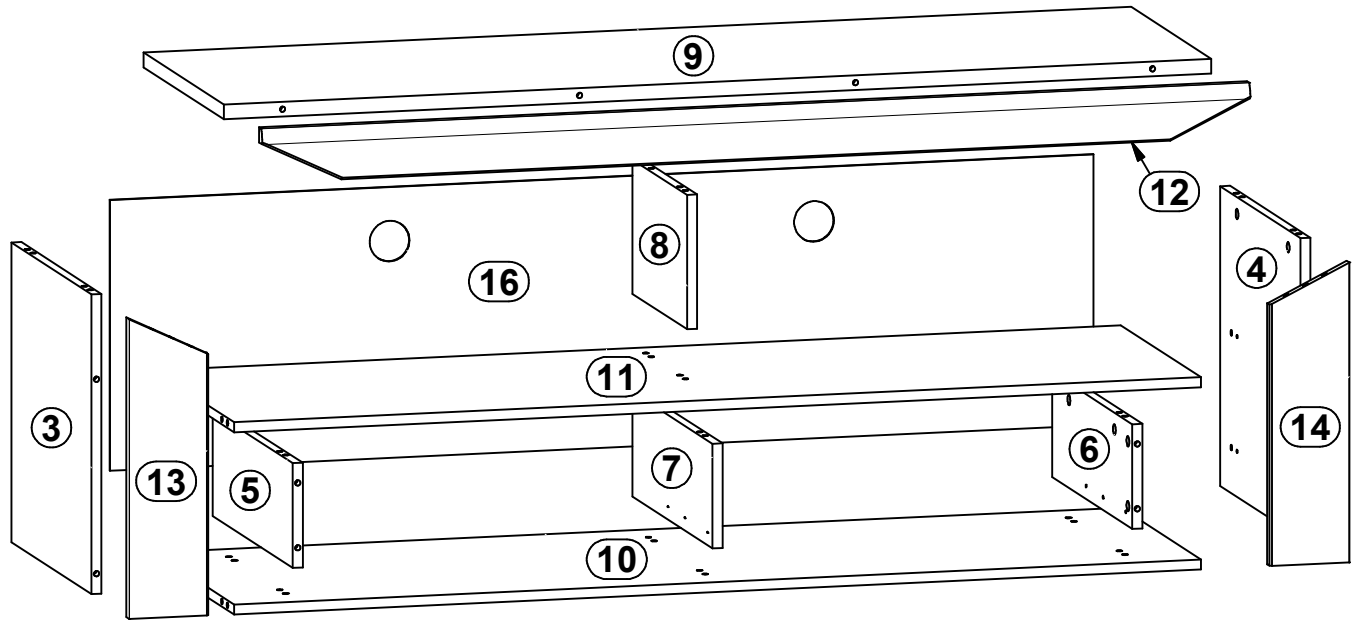
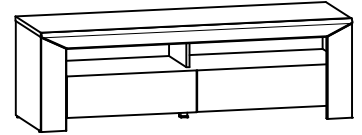


A

DANTON

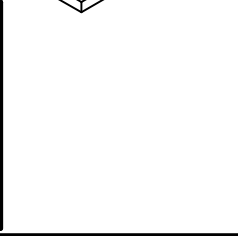
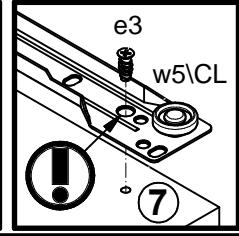
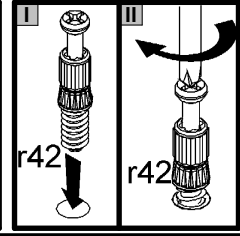
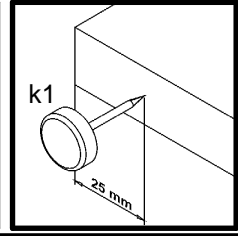
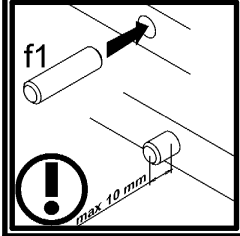
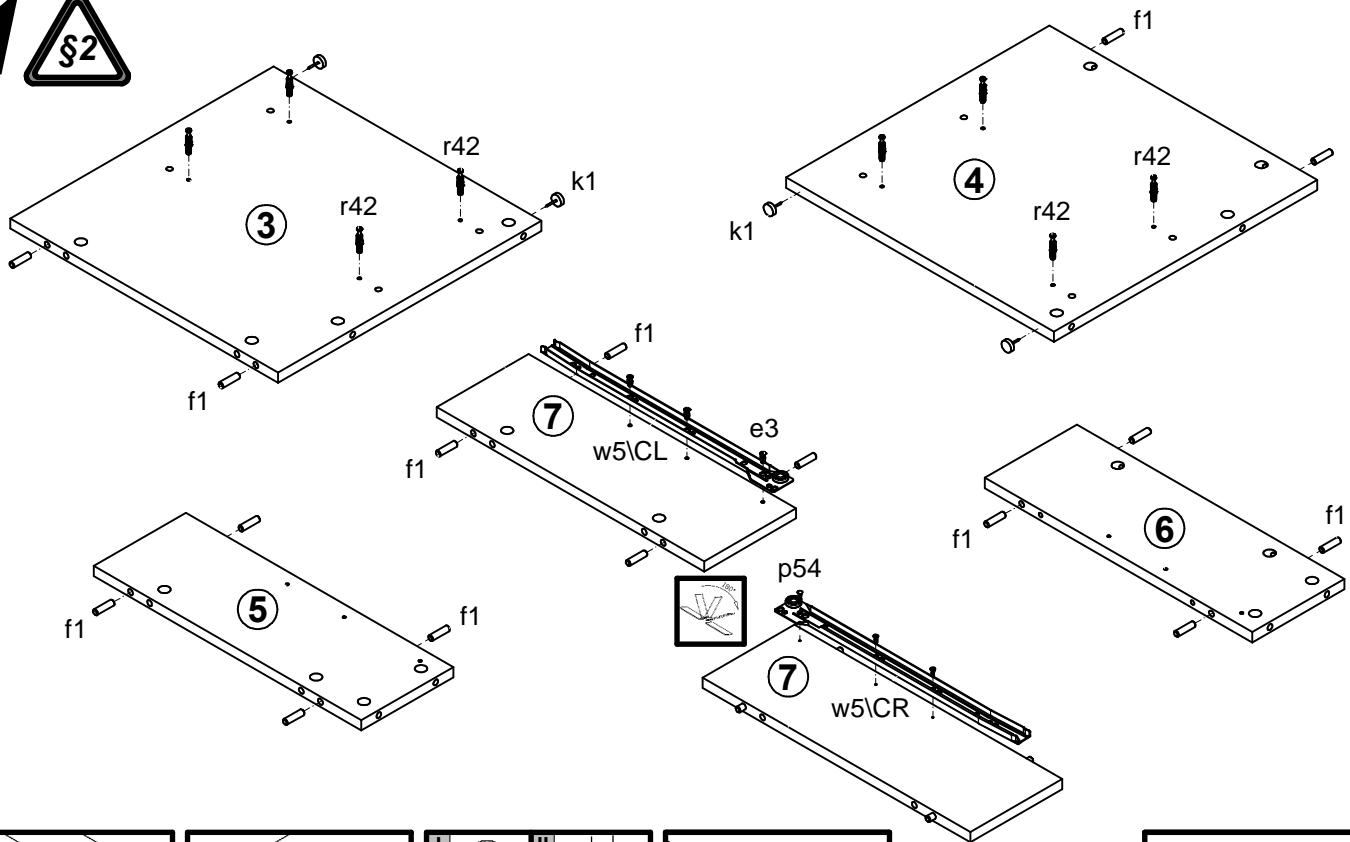
S305-RTV2S

A	B	C	D	A	B	C	D		
1	S305-014	621	196	4/4	11	S305-310	1458	451	2/4
2	S305-015	621	196	4/4	12	S305-503	1490	80	3/4
3	S305-116	444	451	1/4	13	S305-522	444	120	3/4
4	S305-117	444	451	1/4	14	S305-523	444	120	3/4
5	S305-118	155	451	1/4	15	S305-909	591	405	1/4
6	S305-119	155	451	1/4	16	S305-910	401	1483	2/4
7	S305-138	155	451	1/4	17	ZS3-5583	569	120	1/4
8	S305-139	199	307	1/4	18	ZS4-503	400	120	1/4
9	S305-206	1489	451	2/4	19	ZS4-504	400	120	1/4
10	S305-309	1458	451	2/4					

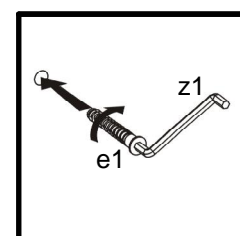
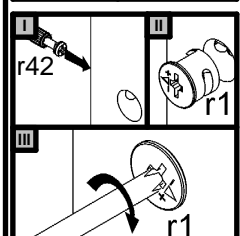
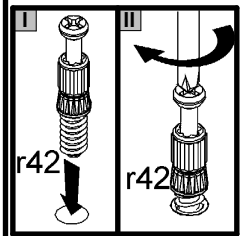
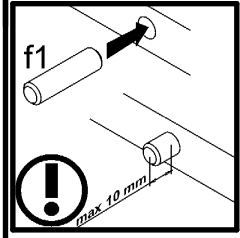
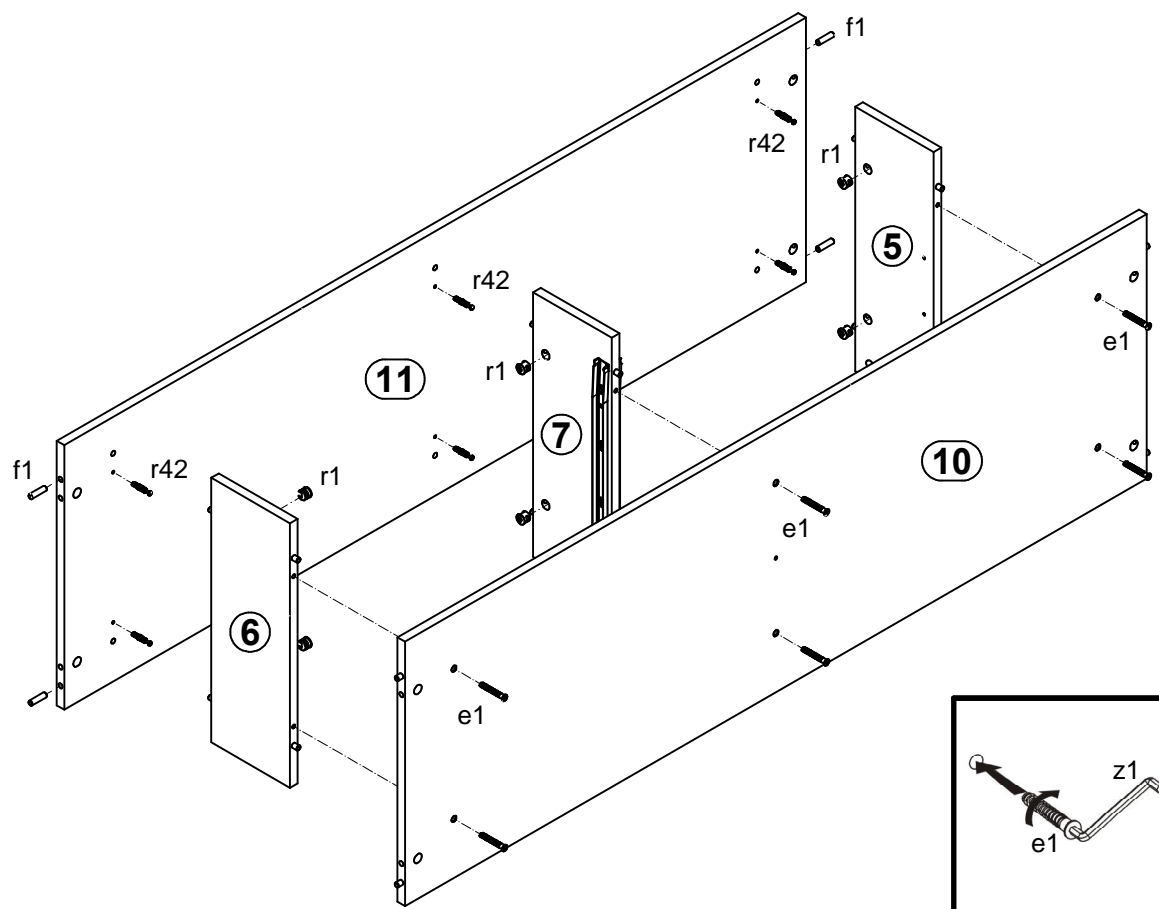


6x Ø7x50 mm e1	8x Ø5x9 mm e19	1x Ø6.3x13 mm e2	9x Ø6x13 mm e3	36x Ø8x30 mm f1	8x Ø6.5x40 mm f25	4x Ø6x30 mm f9	4x k1	1x k38/3
1x k38/8	60x l1	14x Ø3.5x16 mm p38	3x Ø3x12 mm p54	34x Ø15x12 mm #16 r1	8x Ø12x10.5 mm #12 r15	38x r42	2x r51	6x Ø16 s2
2x 400 mm w5\CL	2x 400 mm w5\CR	2x 400 mm w5\DL	2x 400 mm w5\DR	1x z1				

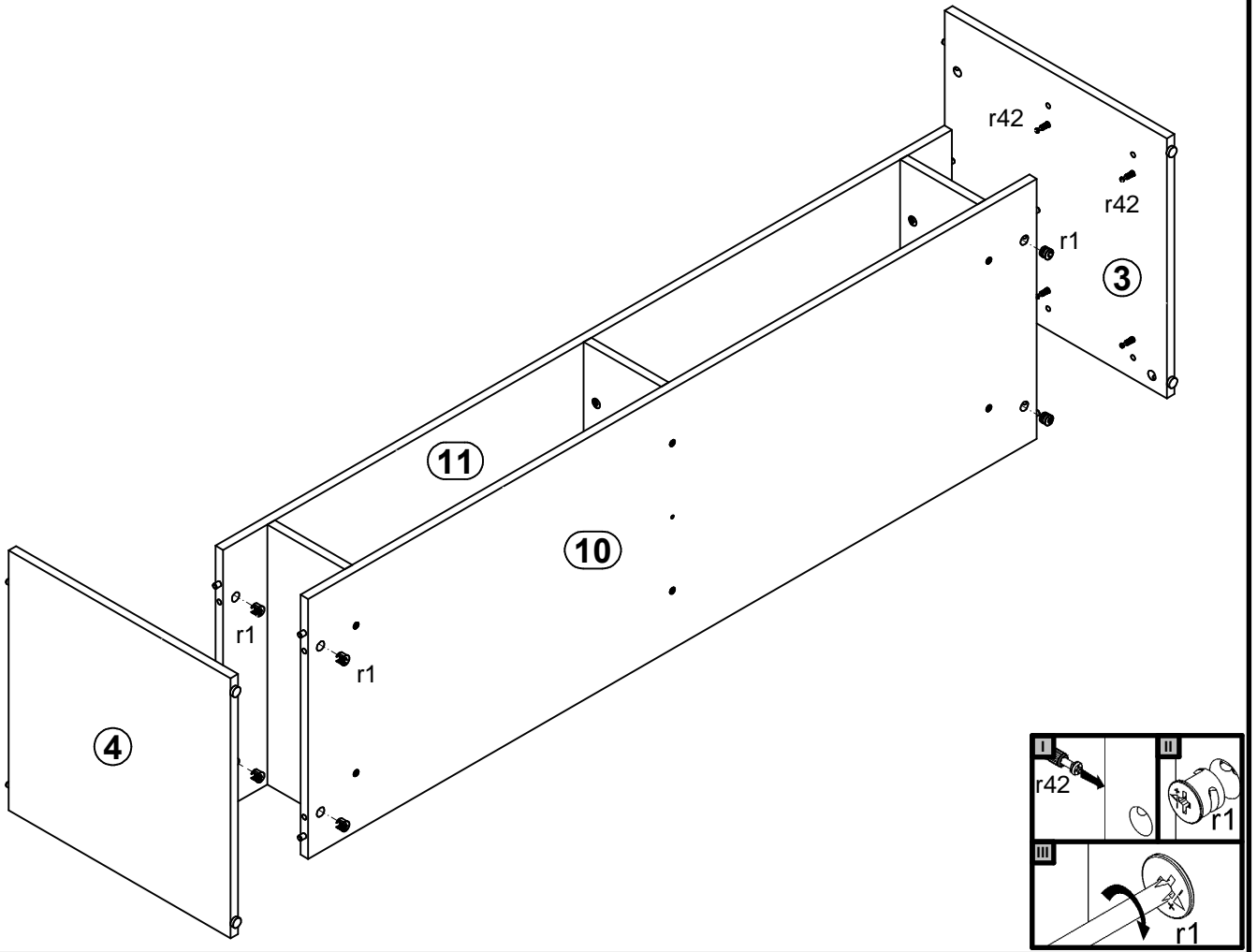
1



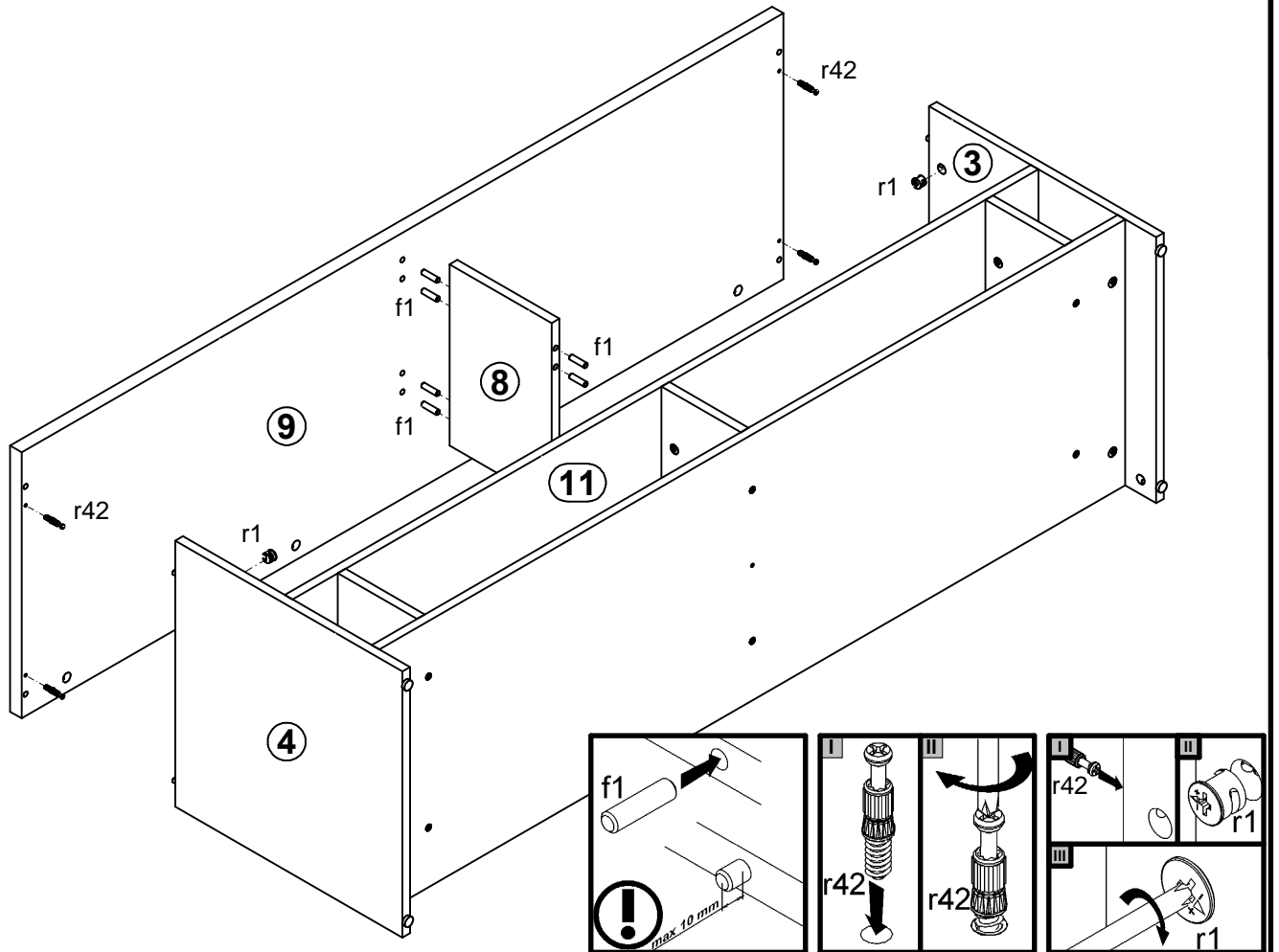
2



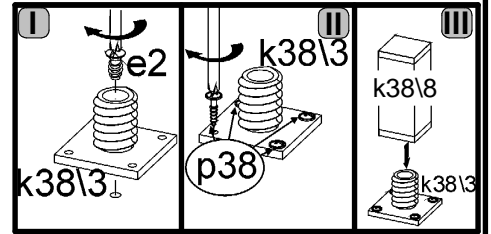
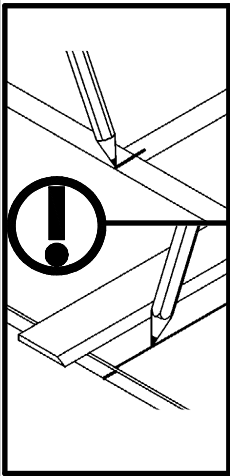
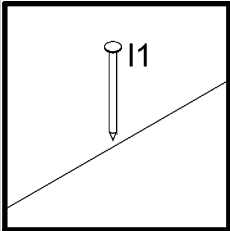
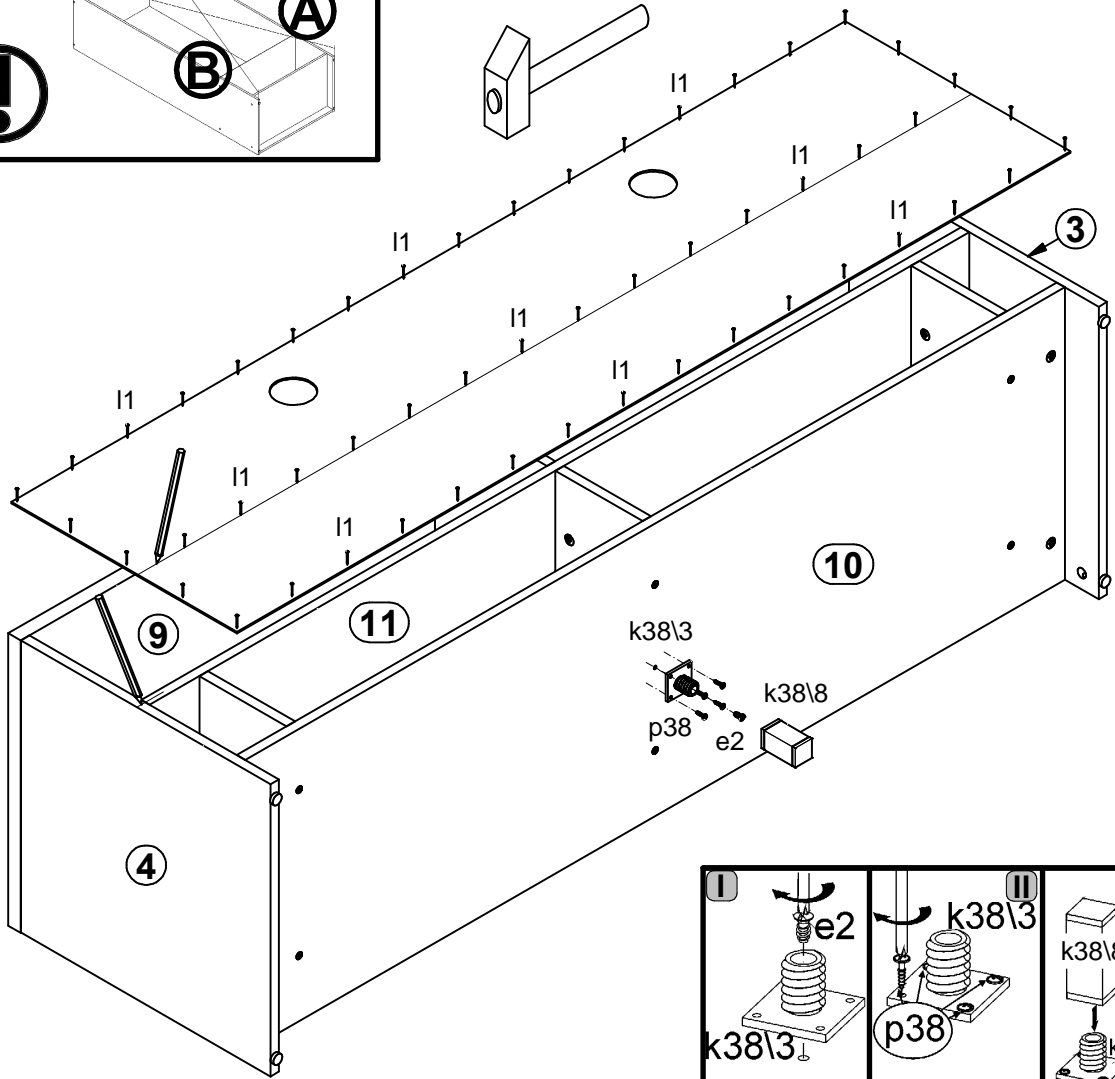
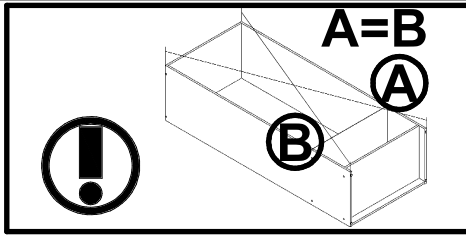
3



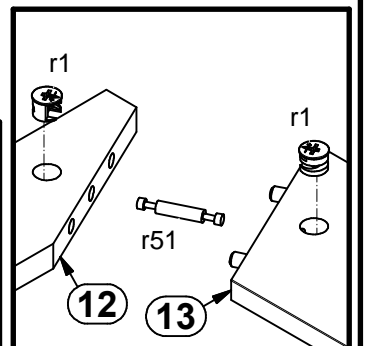
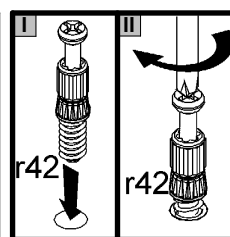
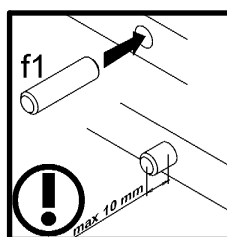
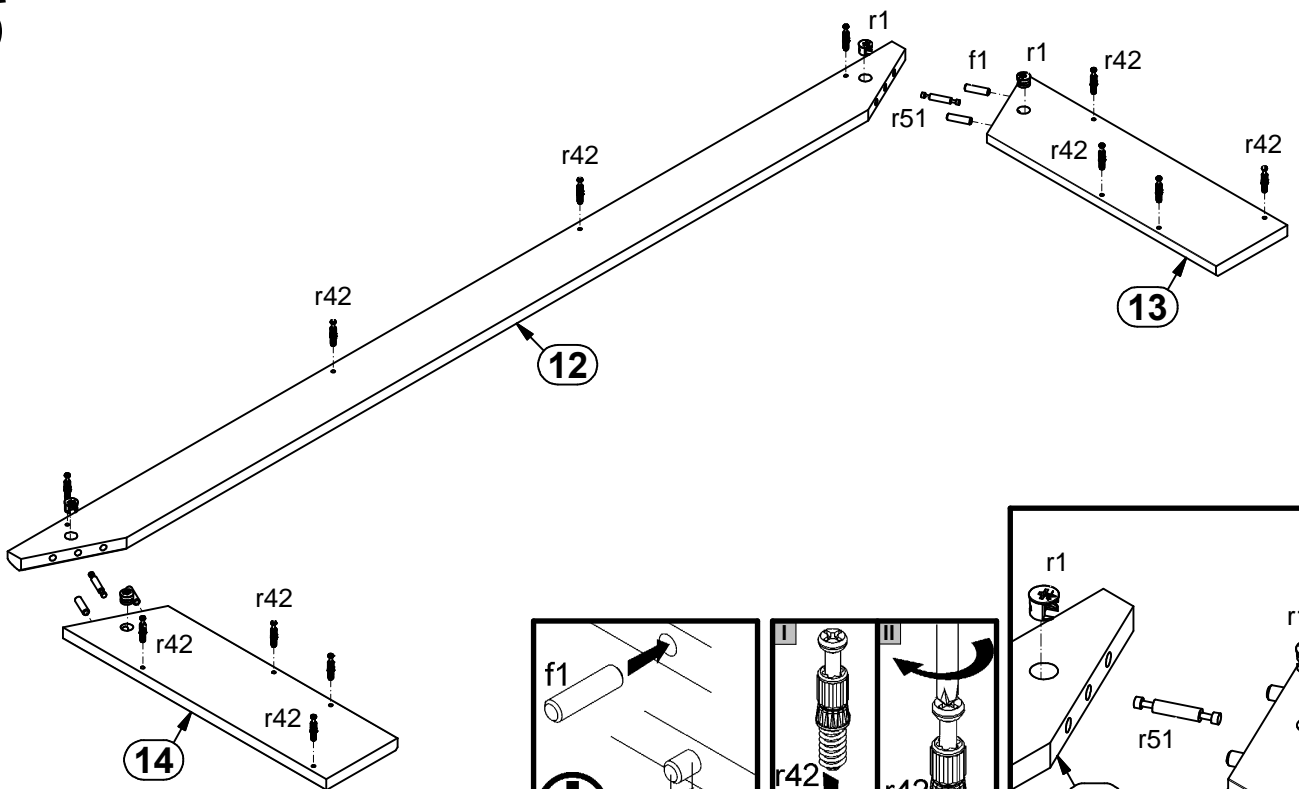
4



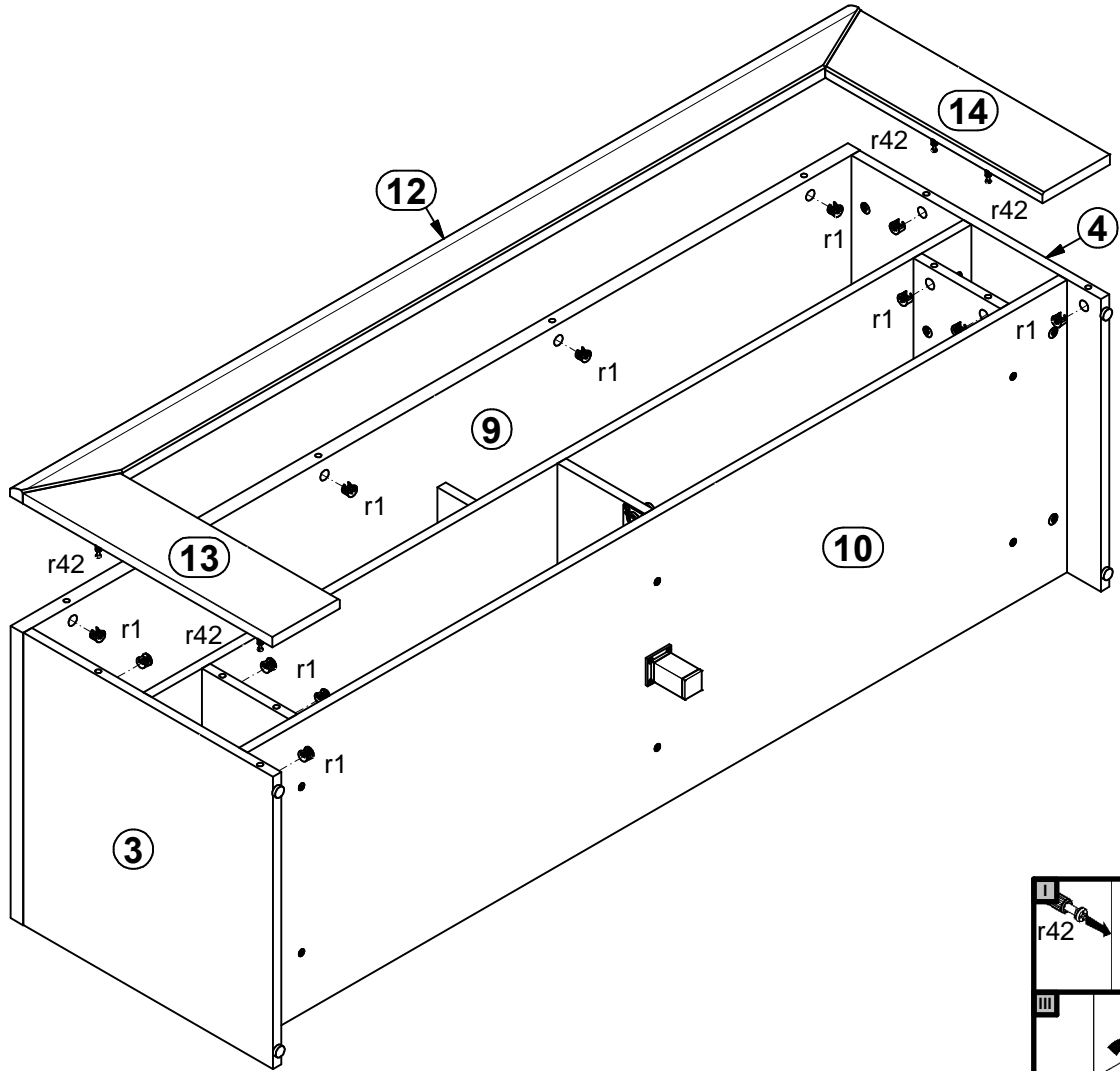
5



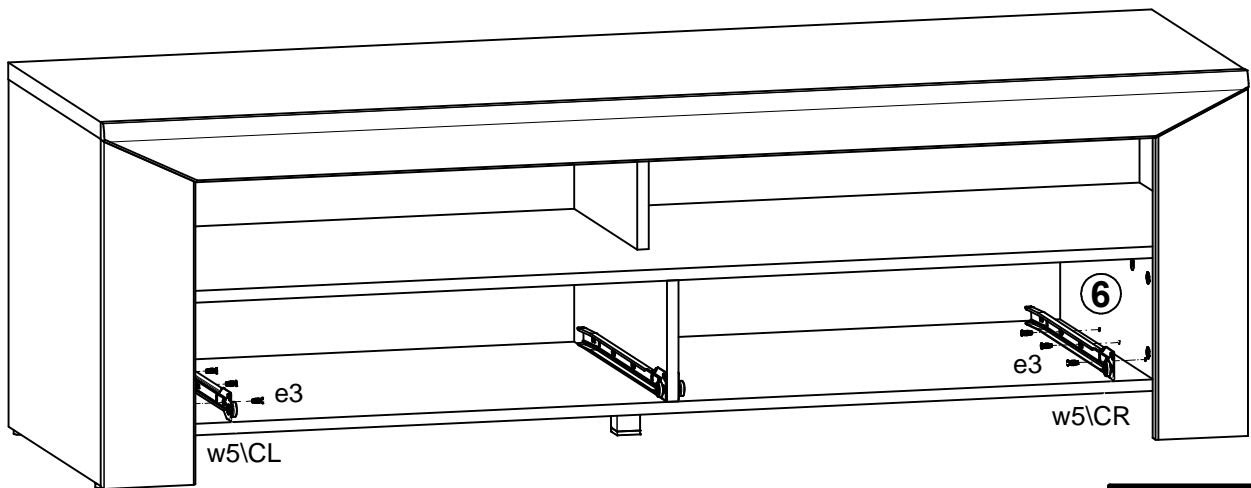
6



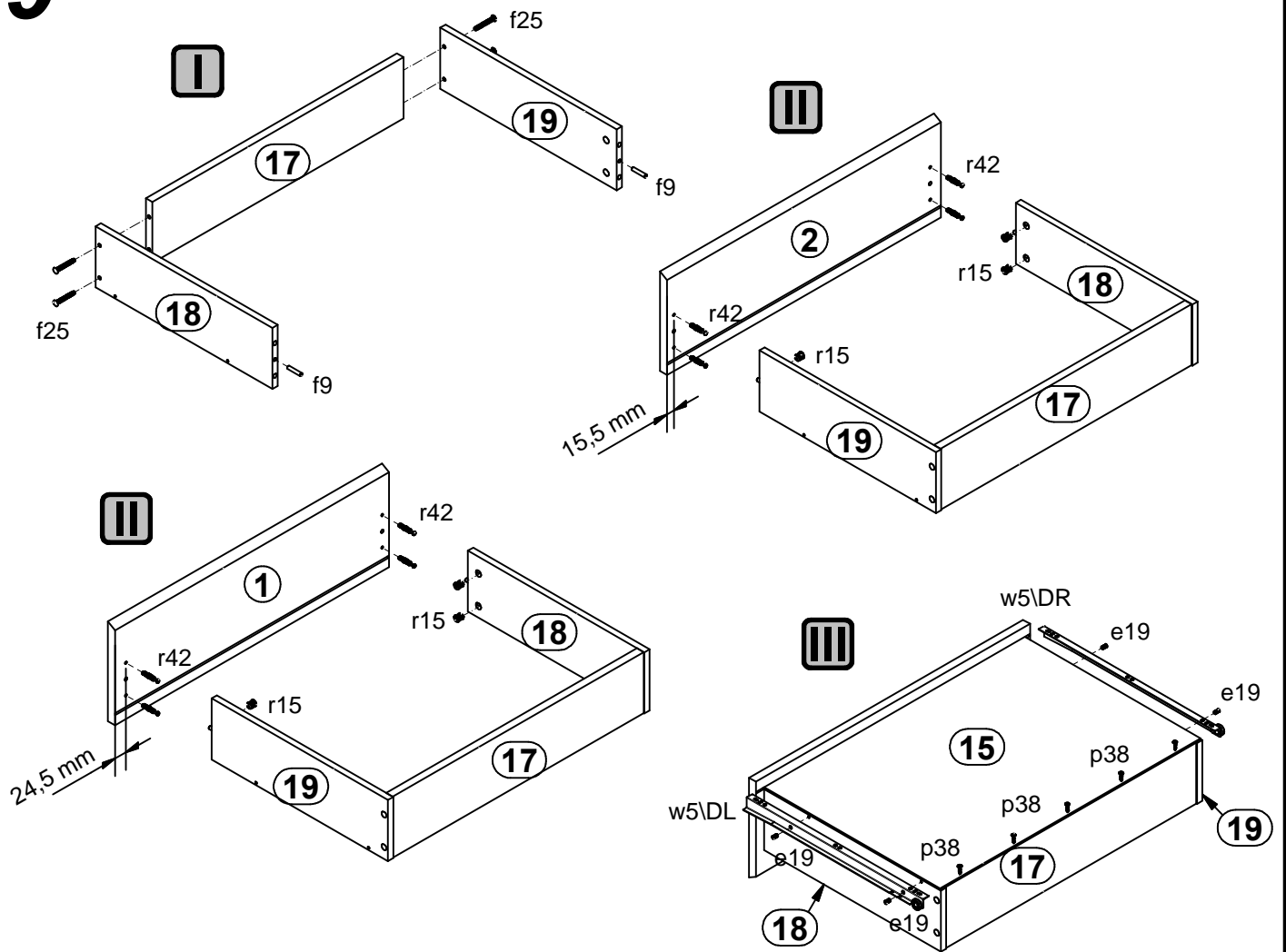
7



8



9



10

