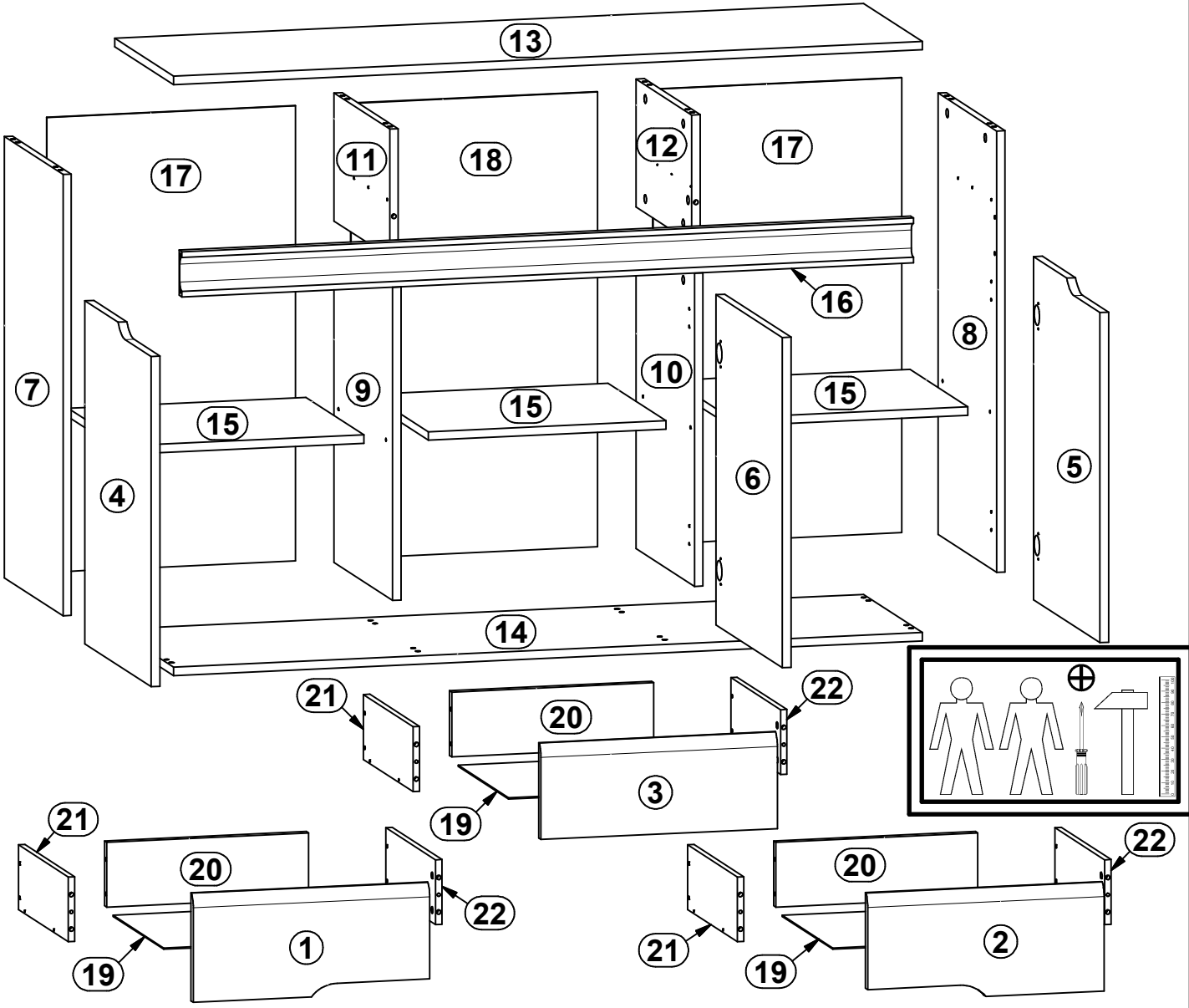
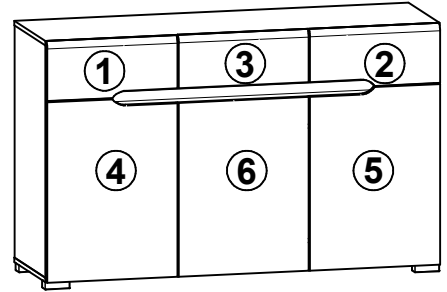
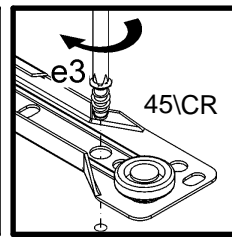
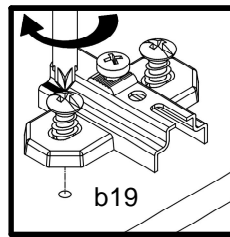
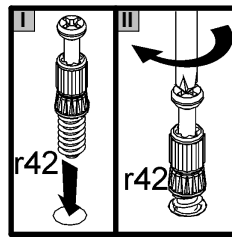
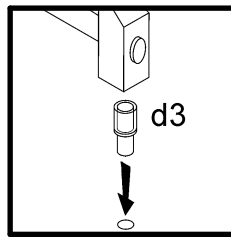
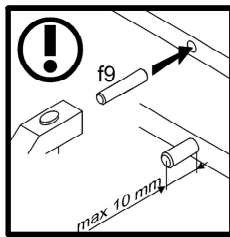
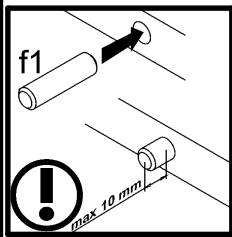
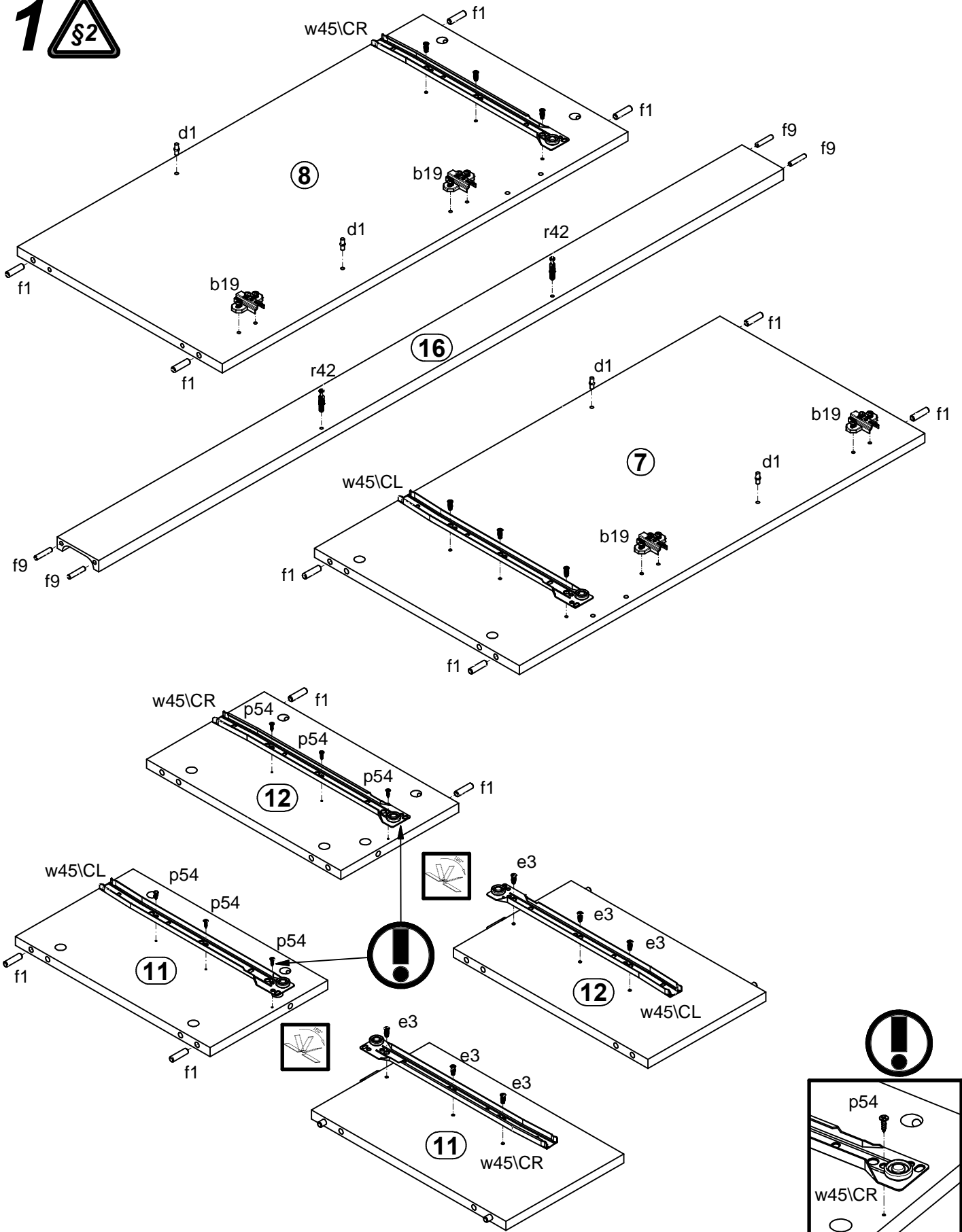


| A | B | C | D | A | B | C | D | | |
|----|----------|-----|-----|-----|----|----------|------|-----|-----|
| 1 | S314-001 | 446 | 200 | 3/3 | 12 | S314-106 | 227 | 375 | 1/3 |
| 2 | S314-002 | 446 | 200 | 3/3 | 13 | S314-201 | 1351 | 395 | 1/3 |
| 3 | S314-003 | 446 | 177 | 3/3 | 14 | S314-202 | 1351 | 395 | 1/3 |
| 4 | S314-004 | 446 | 608 | 3/3 | 15 | S314-301 | 429 | 390 | 1/3 |
| 5 | S314-005 | 446 | 608 | 3/3 | 16 | S314-571 | 1320 | 80 | 2/3 |
| 6 | S314-006 | 446 | 585 | 3/3 | 17 | S314-901 | 806 | 449 | 3/3 |
| 7 | S314-101 | 782 | 395 | 1/3 | 18 | S314-902 | 806 | 445 | 3/3 |
| 8 | S314-102 | 782 | 395 | 1/3 | 19 | S314-903 | 403 | 355 | 1/3 |
| 9 | S314-103 | 555 | 395 | 1/3 | 20 | ZS3-5513 | 381 | 120 | 1/3 |
| 10 | S314-104 | 555 | 395 | 1/3 | 21 | ZS4-501 | 350 | 120 | 1/3 |
| 11 | S314-105 | 227 | 375 | 1/3 | 22 | ZS4-502 | 350 | 120 | 1/3 |

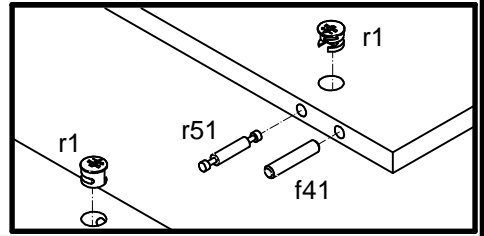
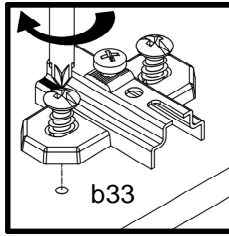
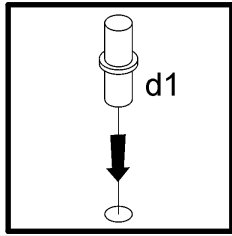
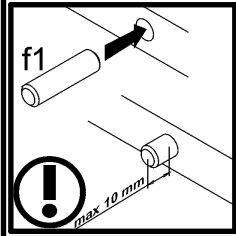
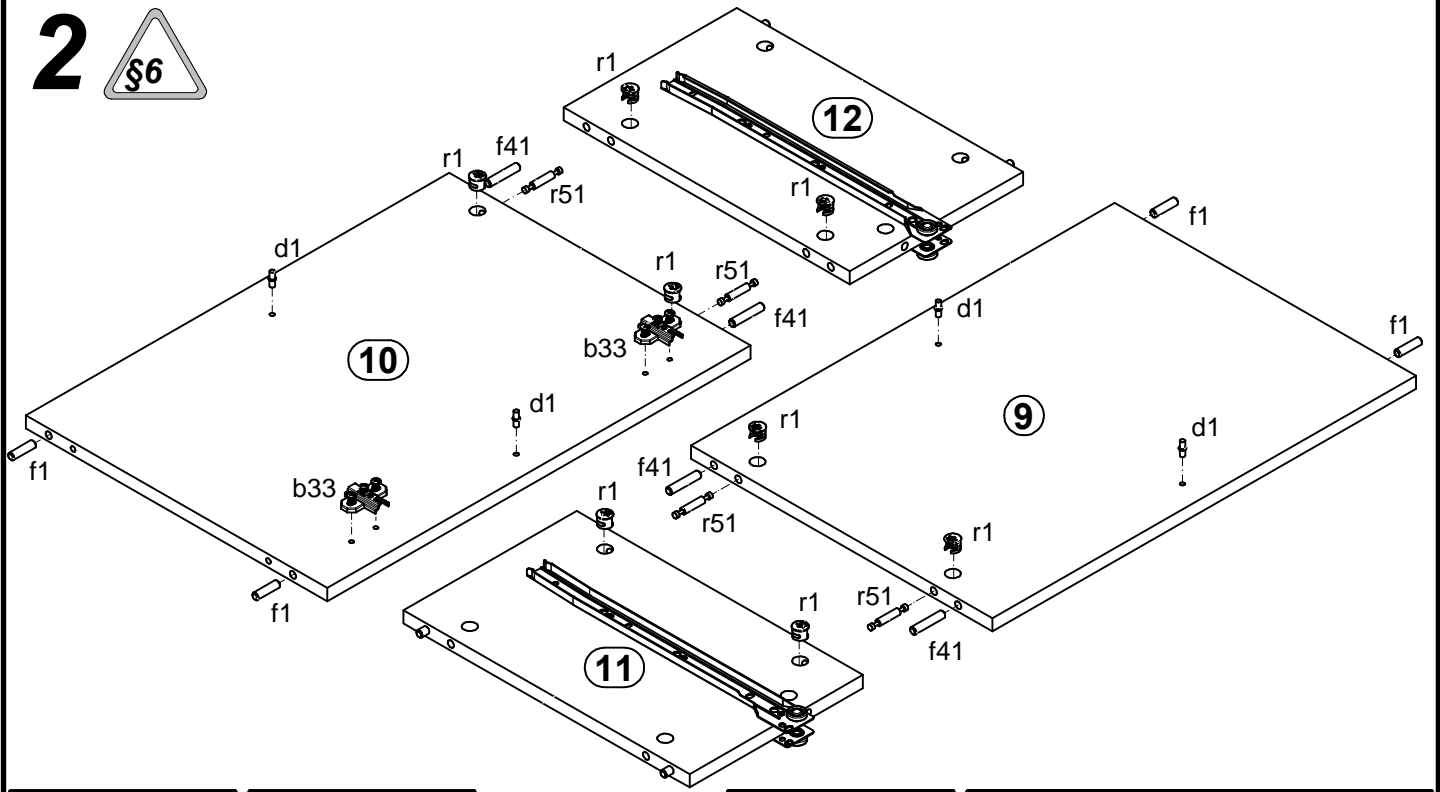


| | | | | | | | | |
|--------------------------------|-----------------------------------|------------------------------|------------------------------|----------------------------|----------------------------|-----------------------------|------------------------------|---------------------------|
| 4x a44 | 2x a68 | 4x b19 | 2x b33 | 12x d1 Ø5x17 mm | 8x e1 Ø7x50 mm | 12x e19 Ø5x9 mm | 12x e3 Ø6x13 mm | 16x f1 Ø8x30 mm |
| 12x f25 Ø6.5x40 mm | 4x f41 Ø8x40 mm | 10x f9 Ø6x30 mm | 6x k77 84x40/25 mm | 80x l1 | 12x p36 Ø4x25 mm | 9x p38 Ø3.5x16 mm | 12x p51 Ø3.5x15 mm | 6x p54 Ø3x12 mm |
| 18x r1 Ø15x12 mm #16 | 12x r15 Ø12x10.5 mm #12 | 22x r42 Ø3.5x16 mm | 4x r51 | 3x w45\CL 350 mm | 3x w45\CR 350 mm | 3x w45\DL 350 mm | 3x w45\DR 350 mm | 4x s2 Ø16 |
| 1x z1 | 1x n26\1 | 1x p38 Ø3.5x16 mm | | | | | | |

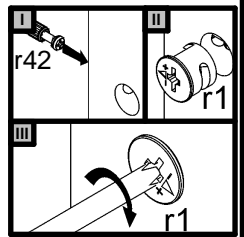
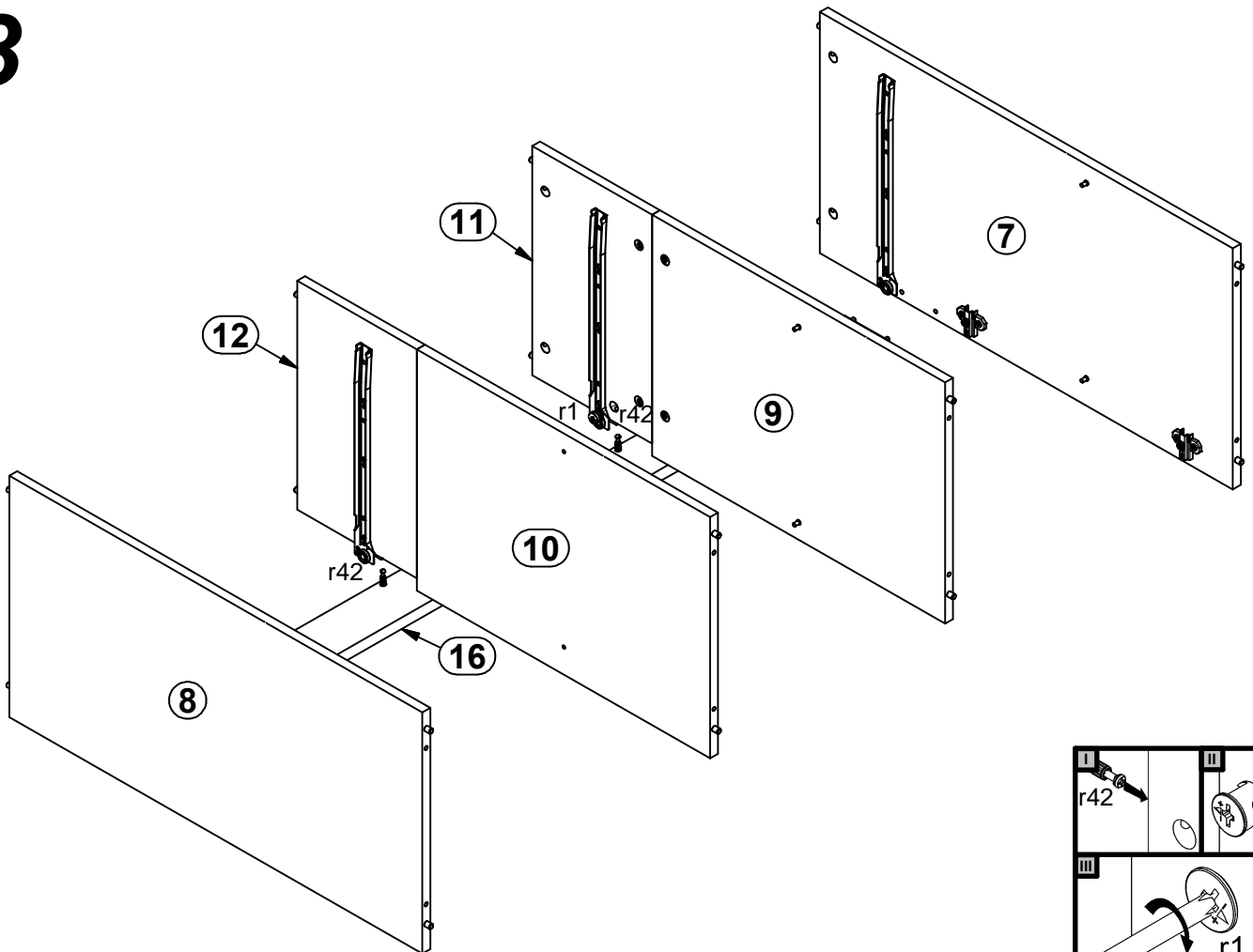
1 



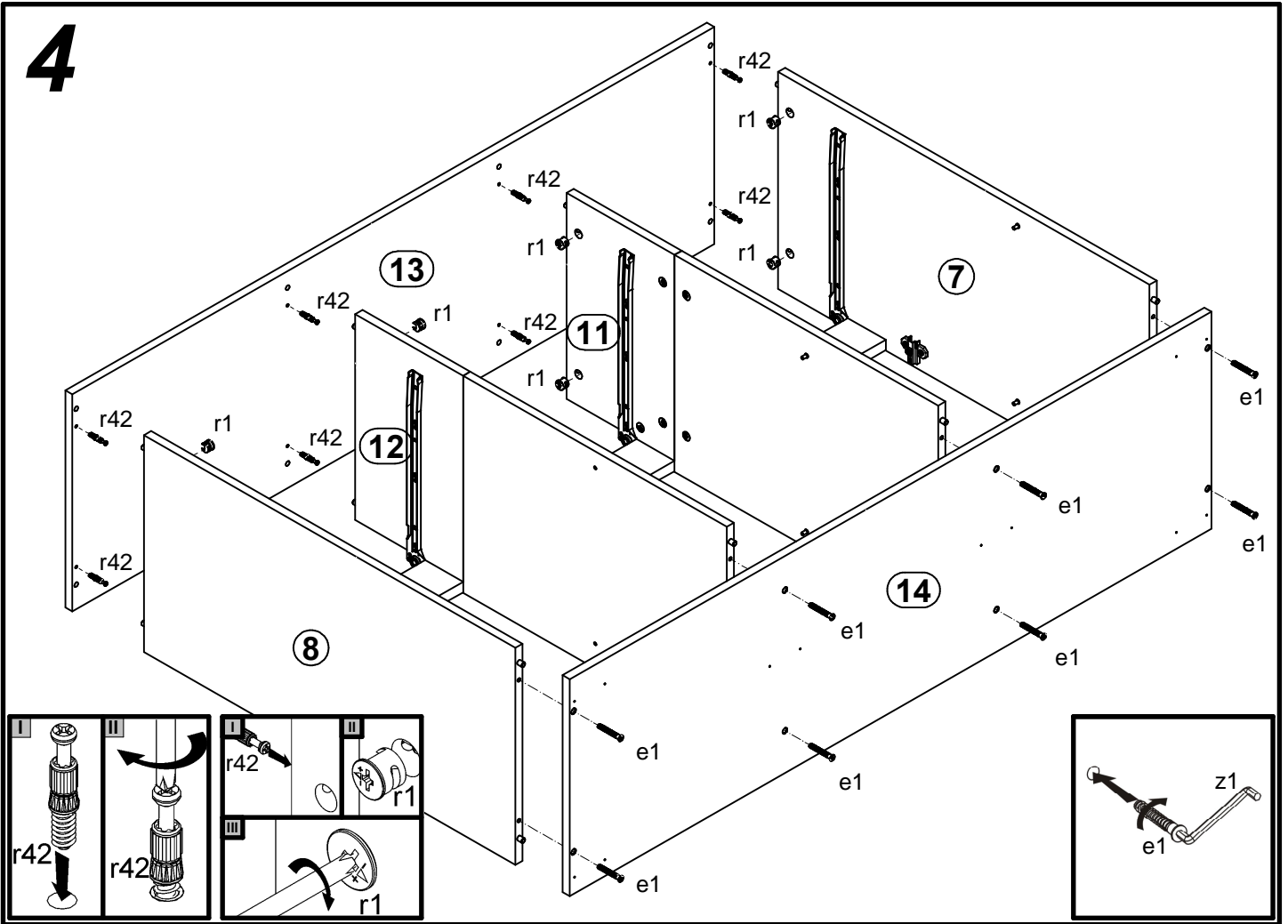
2



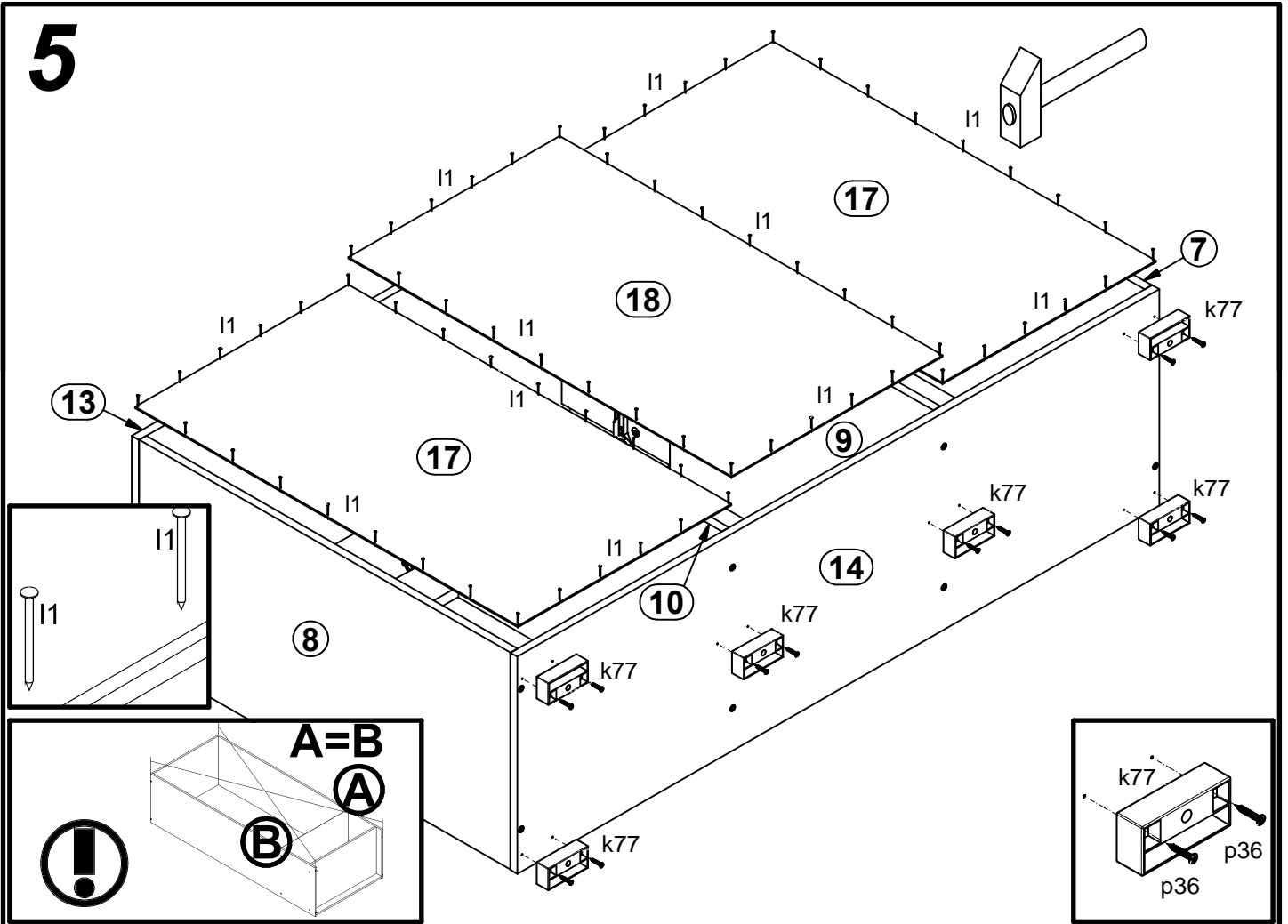
3



4

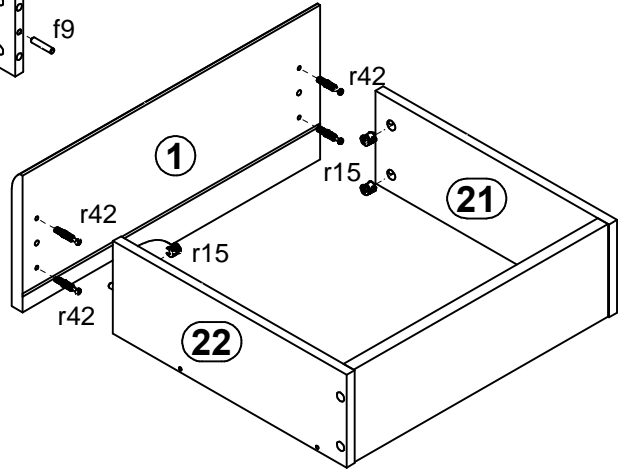
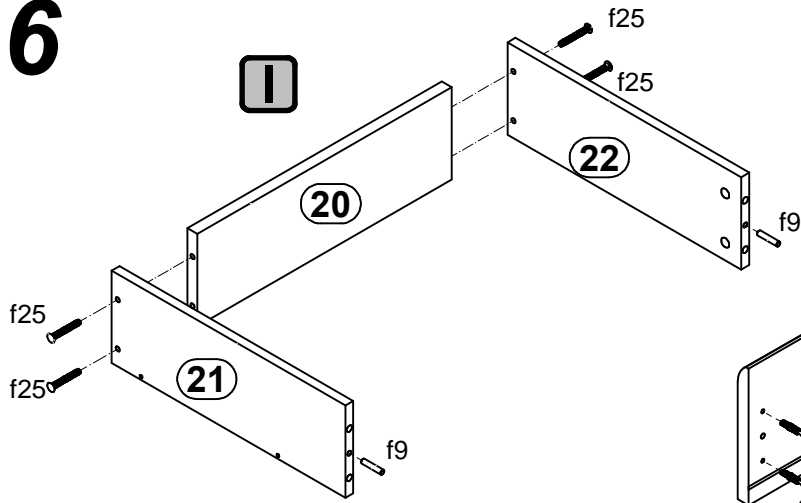


5

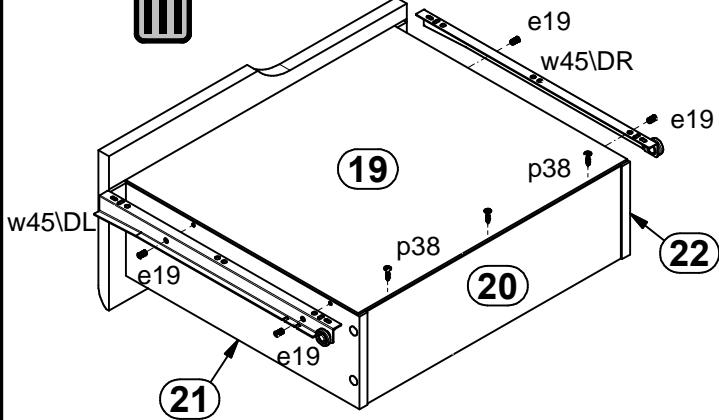


6

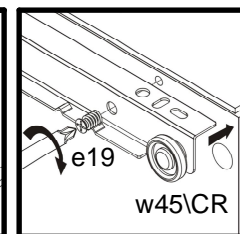
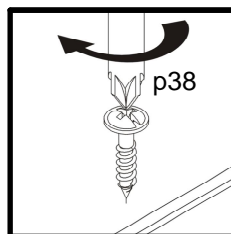
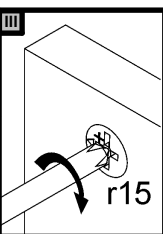
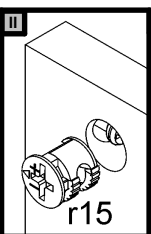
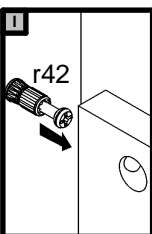
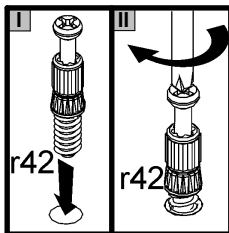
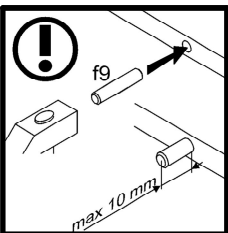
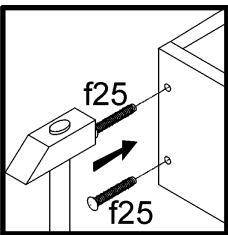
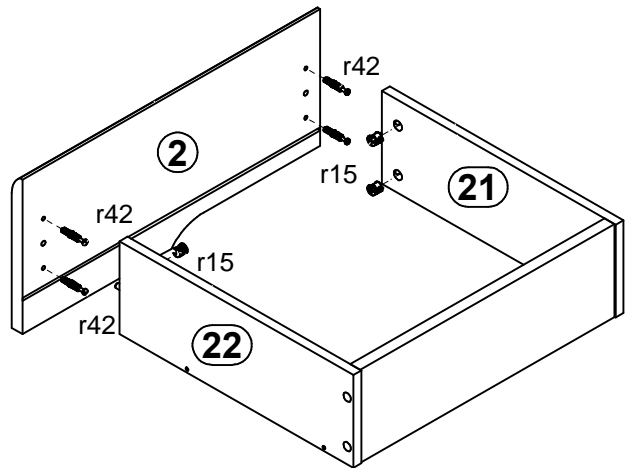
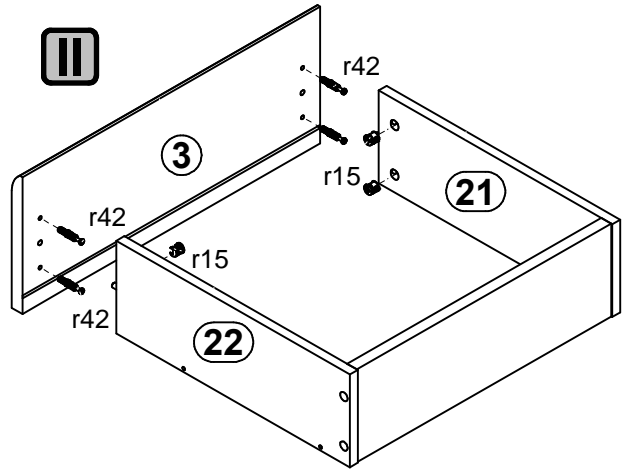
I



III



III



7

