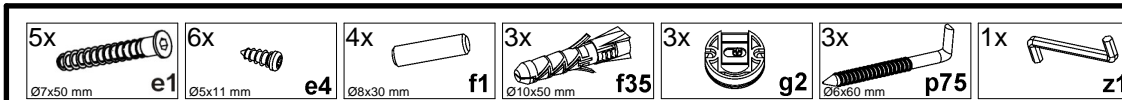
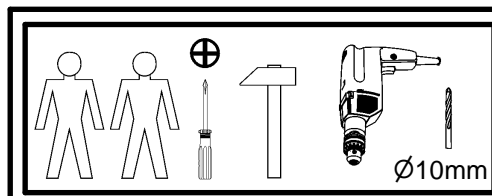
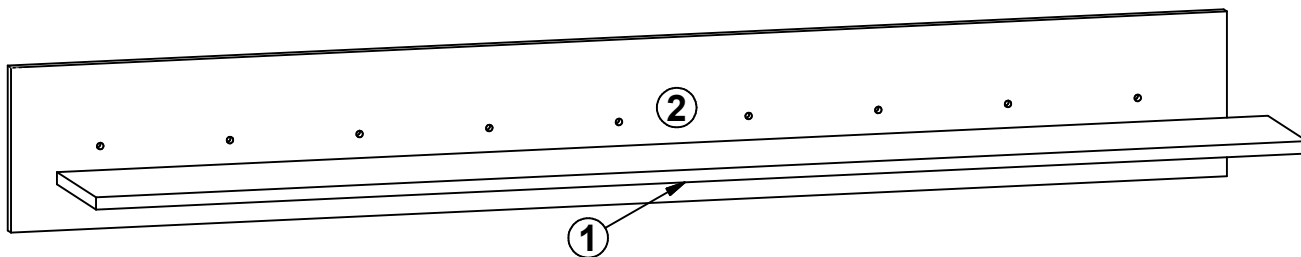
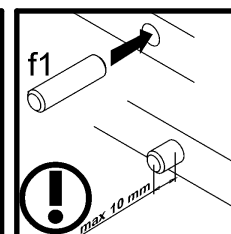
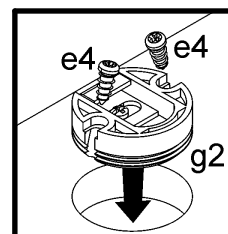
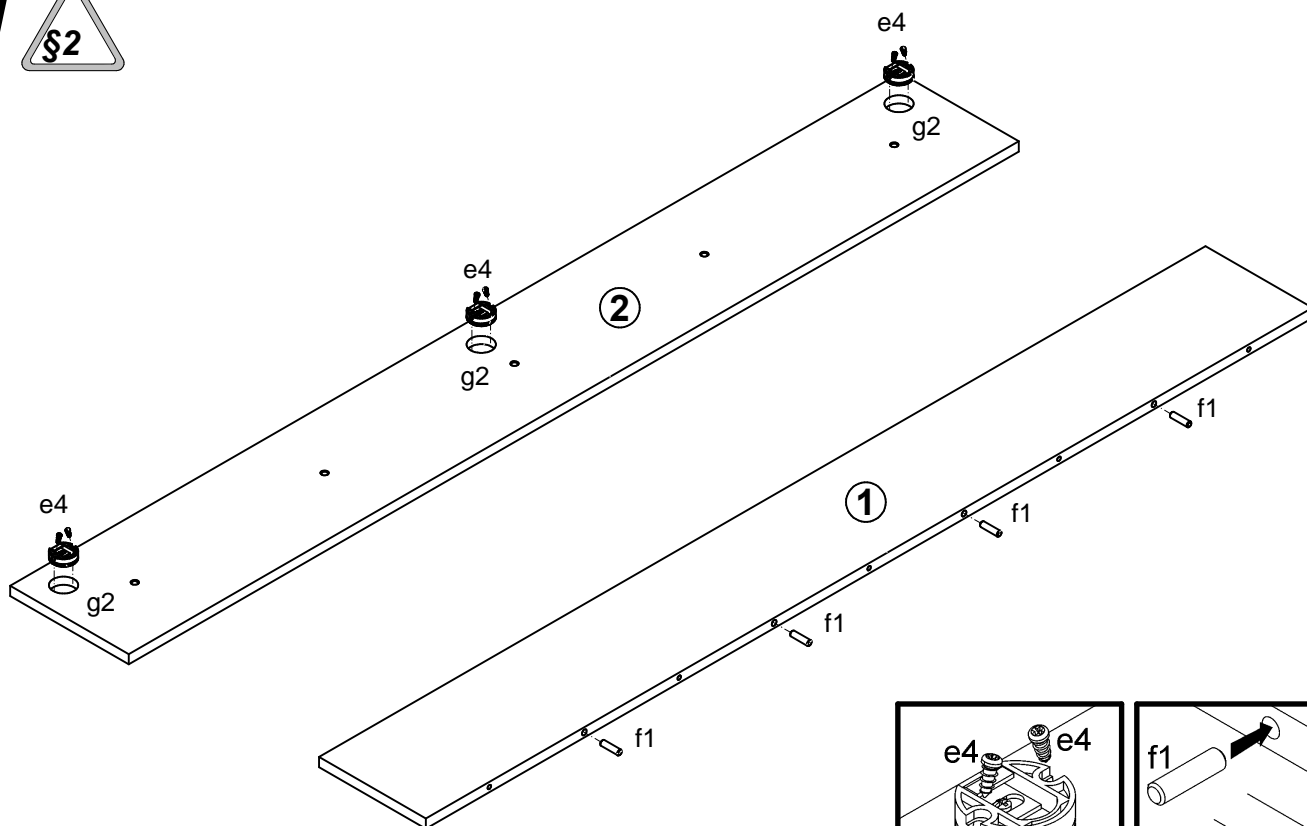


A ELPASSO, SMILE S314-POL/150, S316-POL/150

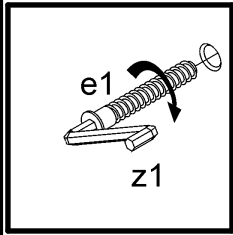
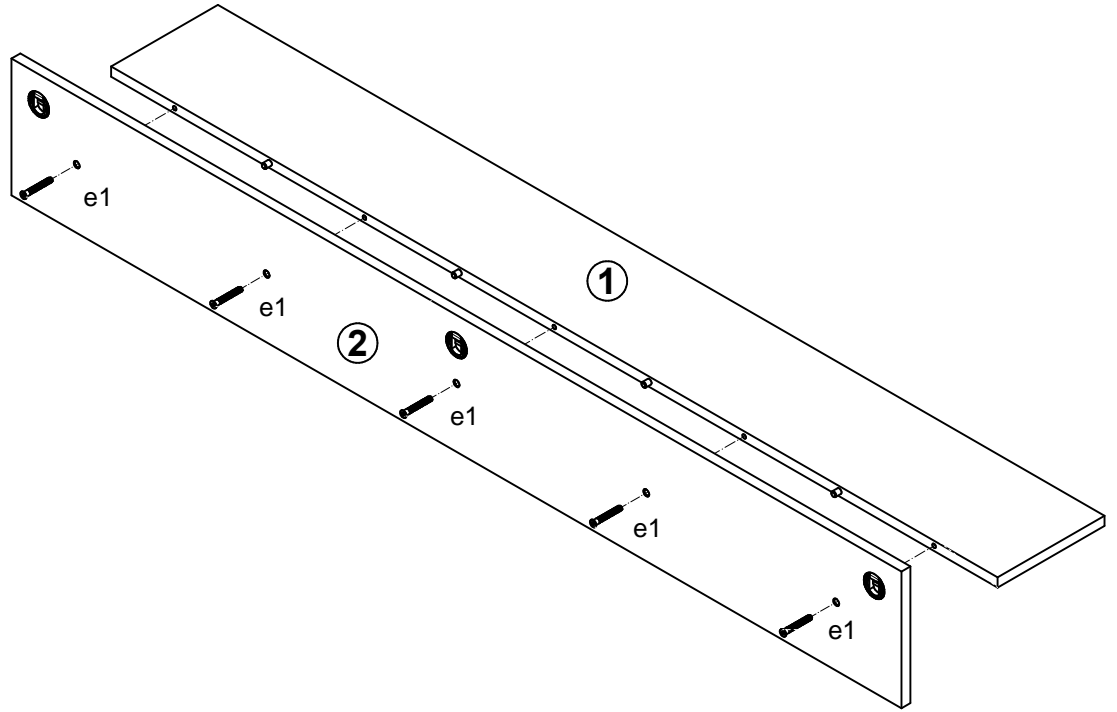
A	B	C	D
1	S314-313	1494	180
2	S314-403	1500	200



1 §2



2



3

