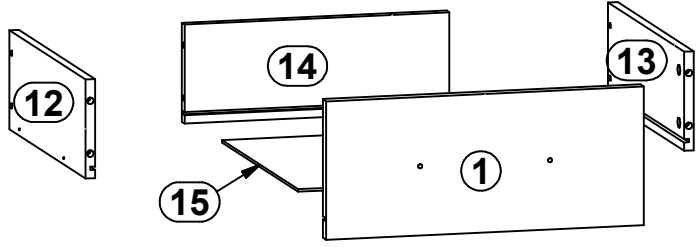
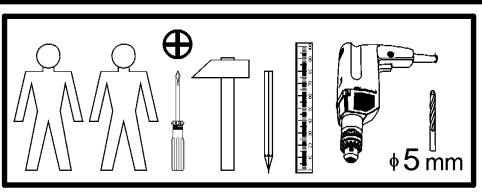
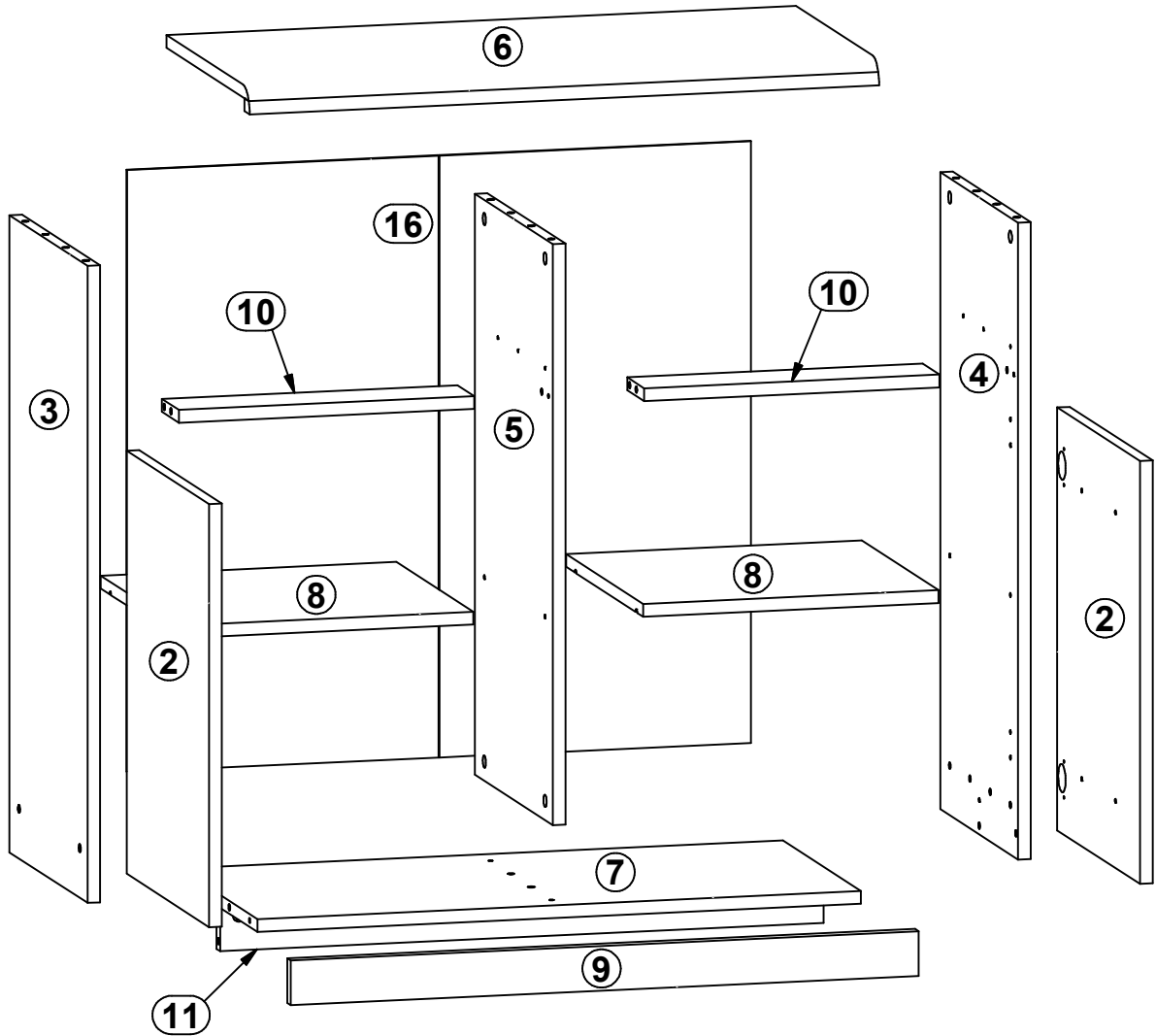
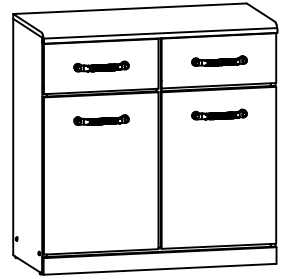


INDI

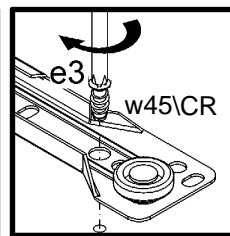
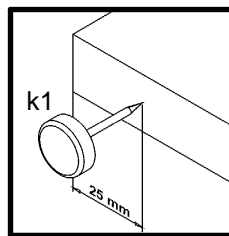
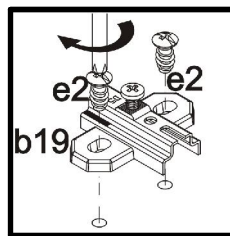
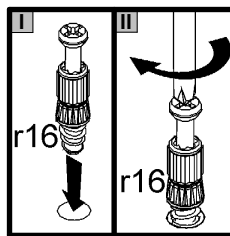
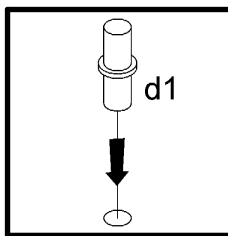
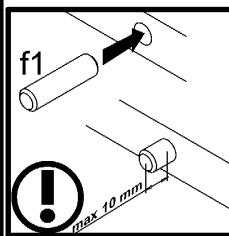
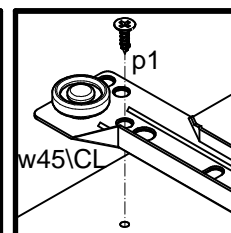
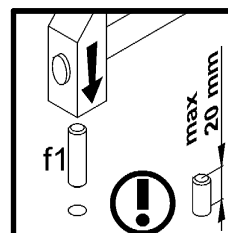
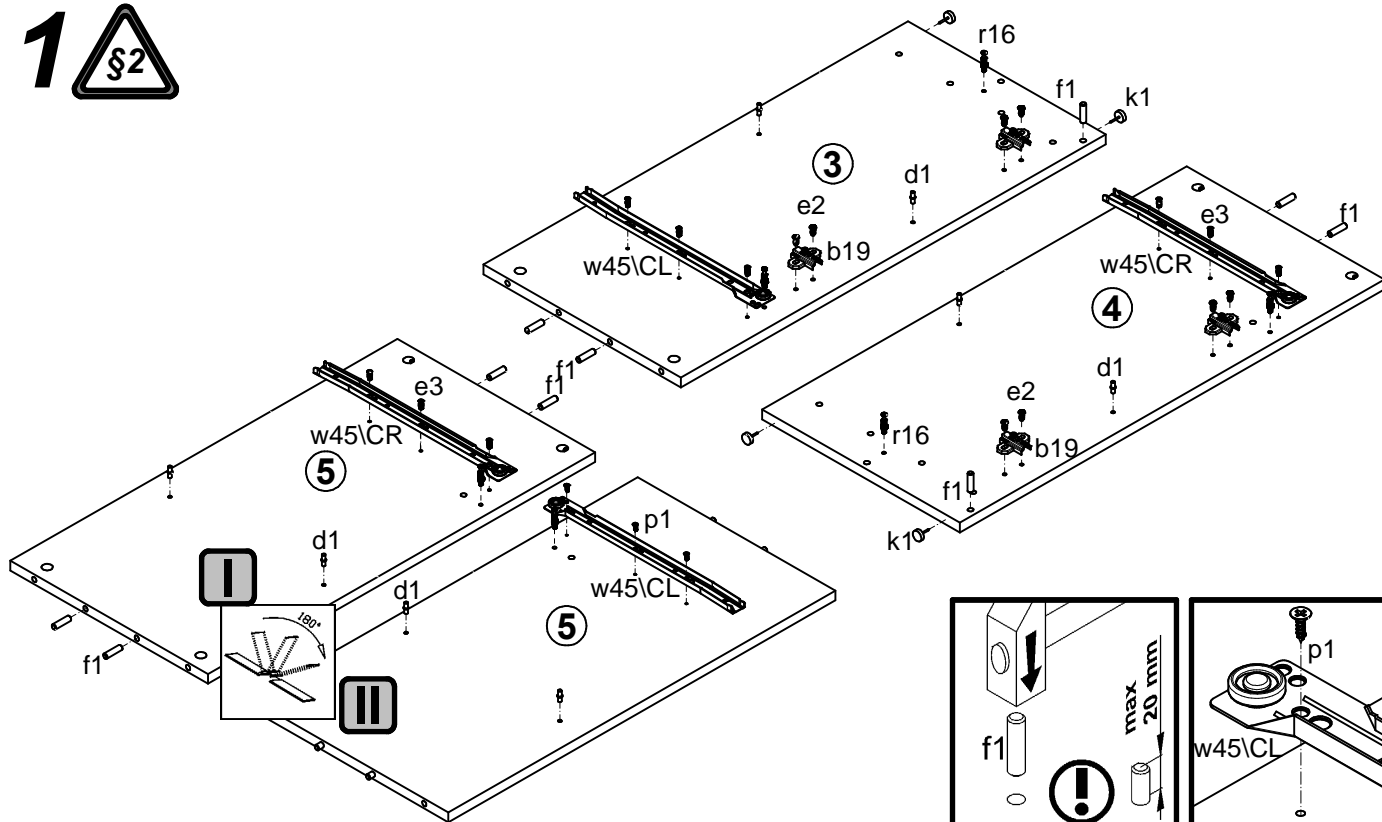
S52-KOM2D2S/8/8

A	B	C	D	A	B	C	D		
1	S52-005A	392	168	2/2	9	S52-401	798	56	1/2
2	S52-010	392	528	2/2	10	S52-410	375,5	80	1/2
3	S52-113	795	370	1/2	11	S52-411	767	54	1/2
4	S52-114	795	370	1/2	12	S52-503	350	120	1/2
5	S52-115	725	370	1/2	13	S52-504	350	120	1/2
6	S52-205	800	395	1/2	14	S52-507	326,5	120	1/2
7	S52-303	767	370	1/2	15	S52-906	337	348	1/2
8	S52-305	375,5	365	1/2	16	S52-9902	751	793	1/2

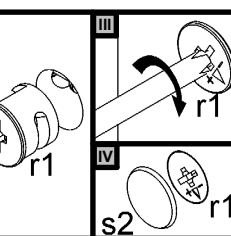
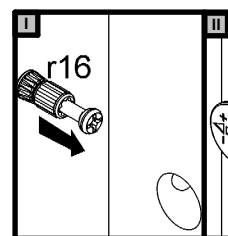
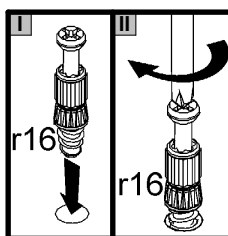
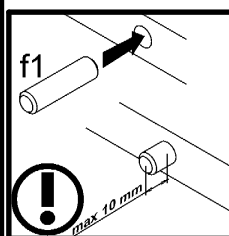
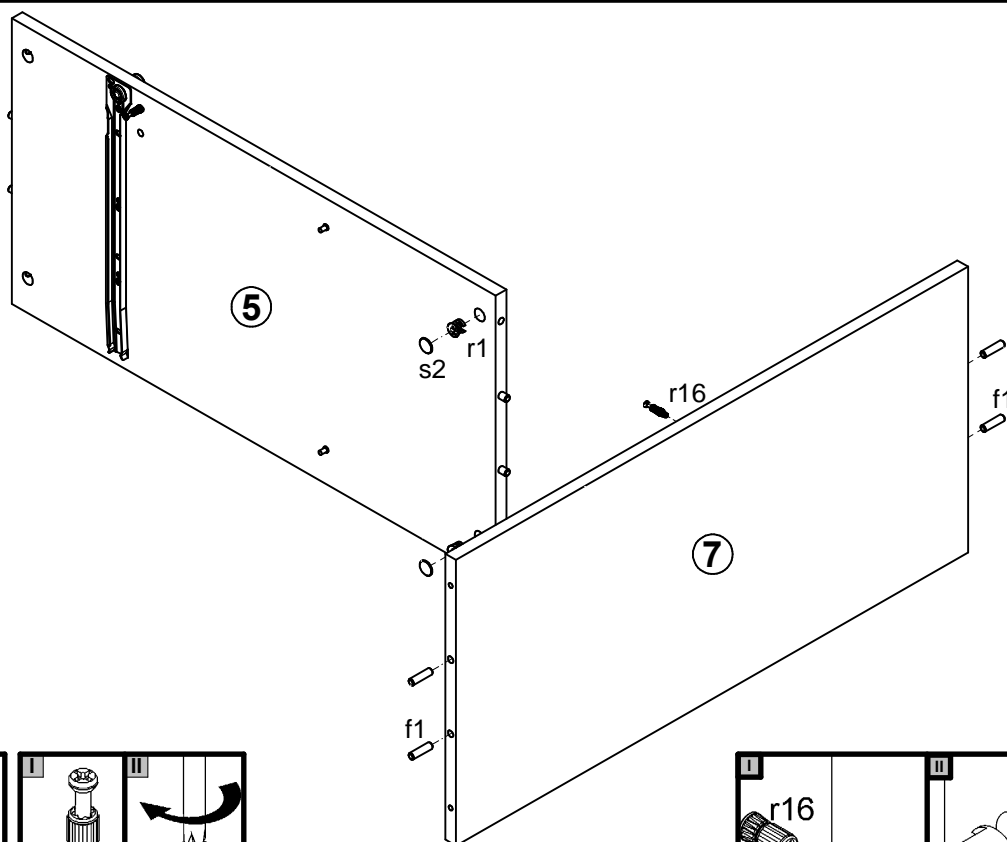


4x a44	4x b19	4x c128	8x φ5x17 mm d1	4x φ7x50 mm e1	8x φ6,3x13 mm e2	9x φ6x13 mm e3	20x φ8x30 mm f1	8x φ6,5x40 mm f25
4x k1	46x l1	2x l37	3x φ3,5x13 mm p1	8x φ4x30 mm p9	8x φ3,5x15 mm p51	8x φ3x12 mm p54	14x φ1,5x12mm #16 r1	8x φ12x10,5mm #12 r15
22x r16	4x s1	9x ø16 s2	2x 350 mm w45 CL	2x 350 mm w45 CR	2x 350 mm w45 DL	2x 350 mm w45 DR	1x z1	1x n26 1
1x φ3,5x16 mm p38								

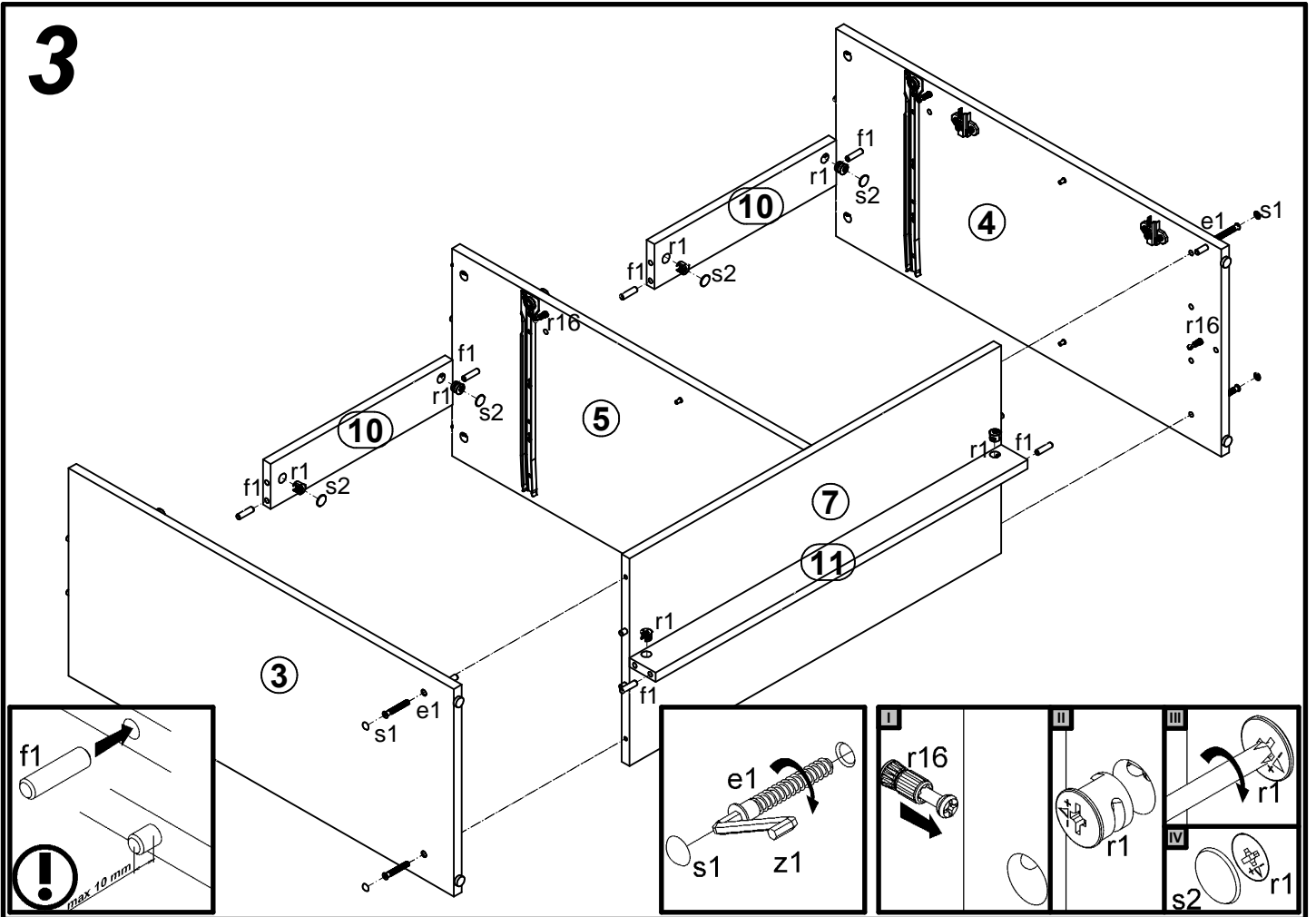
1



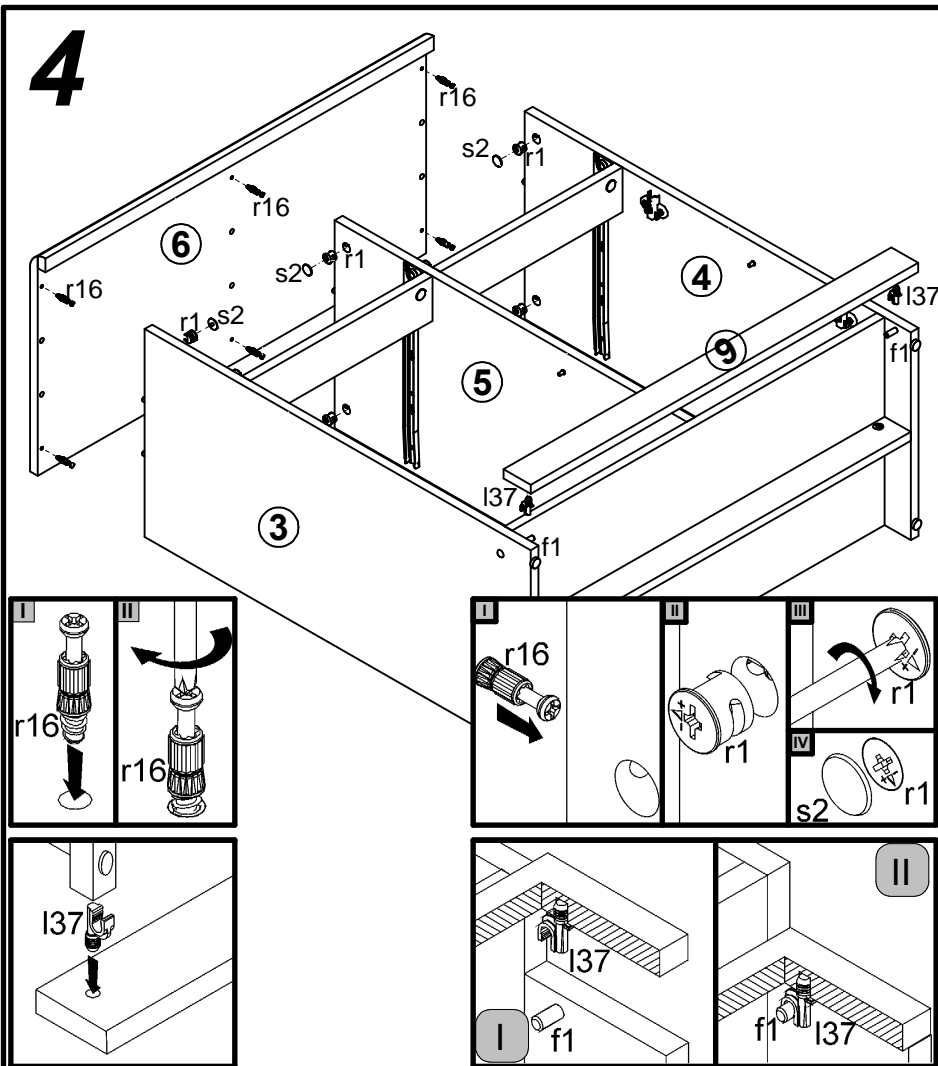
2



3



4



5

