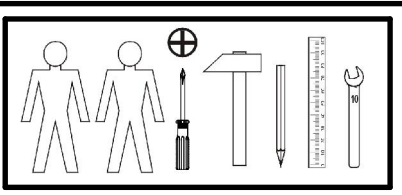
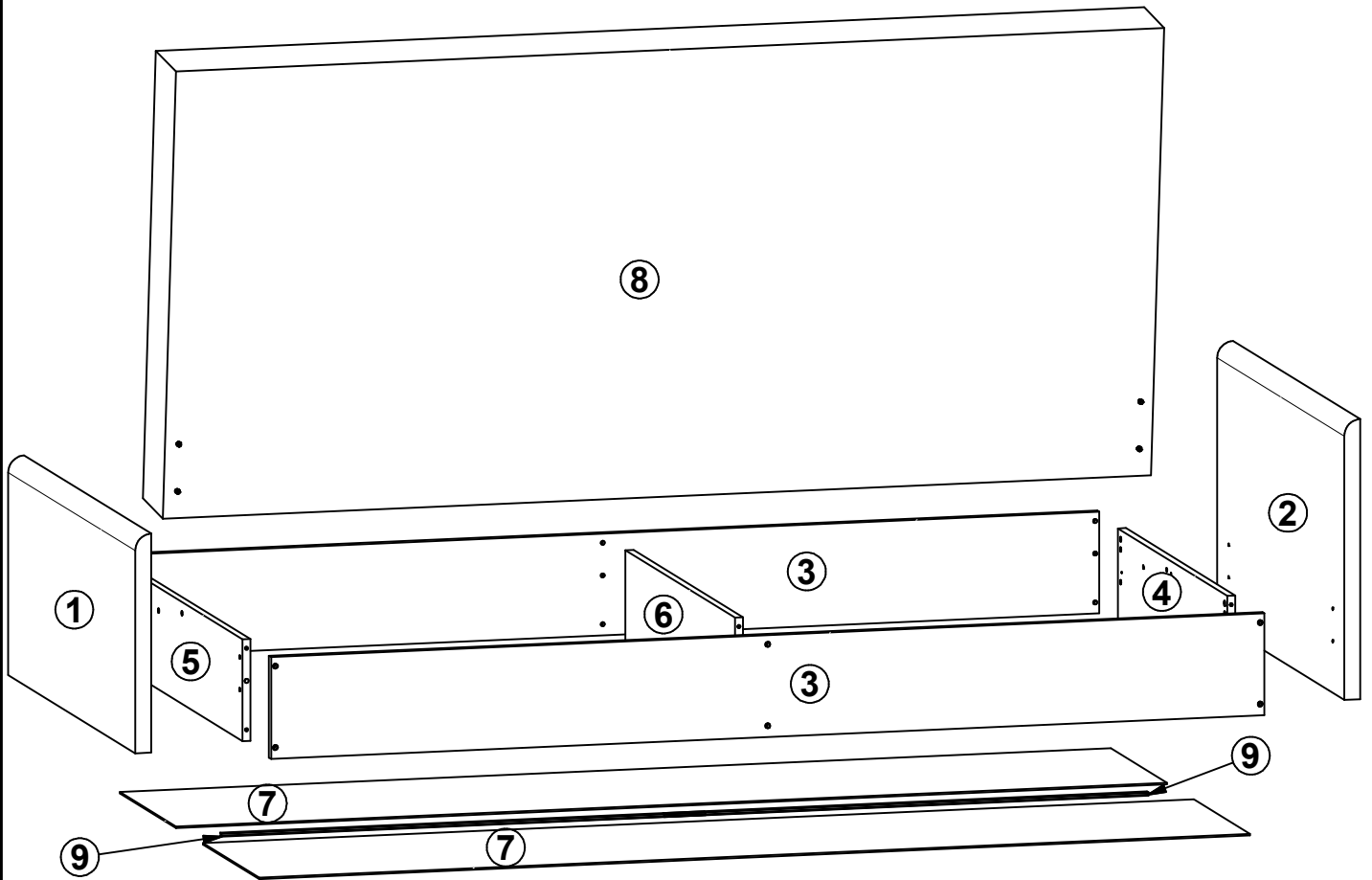
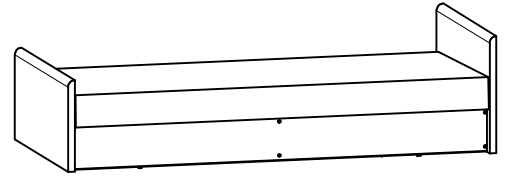


INDI

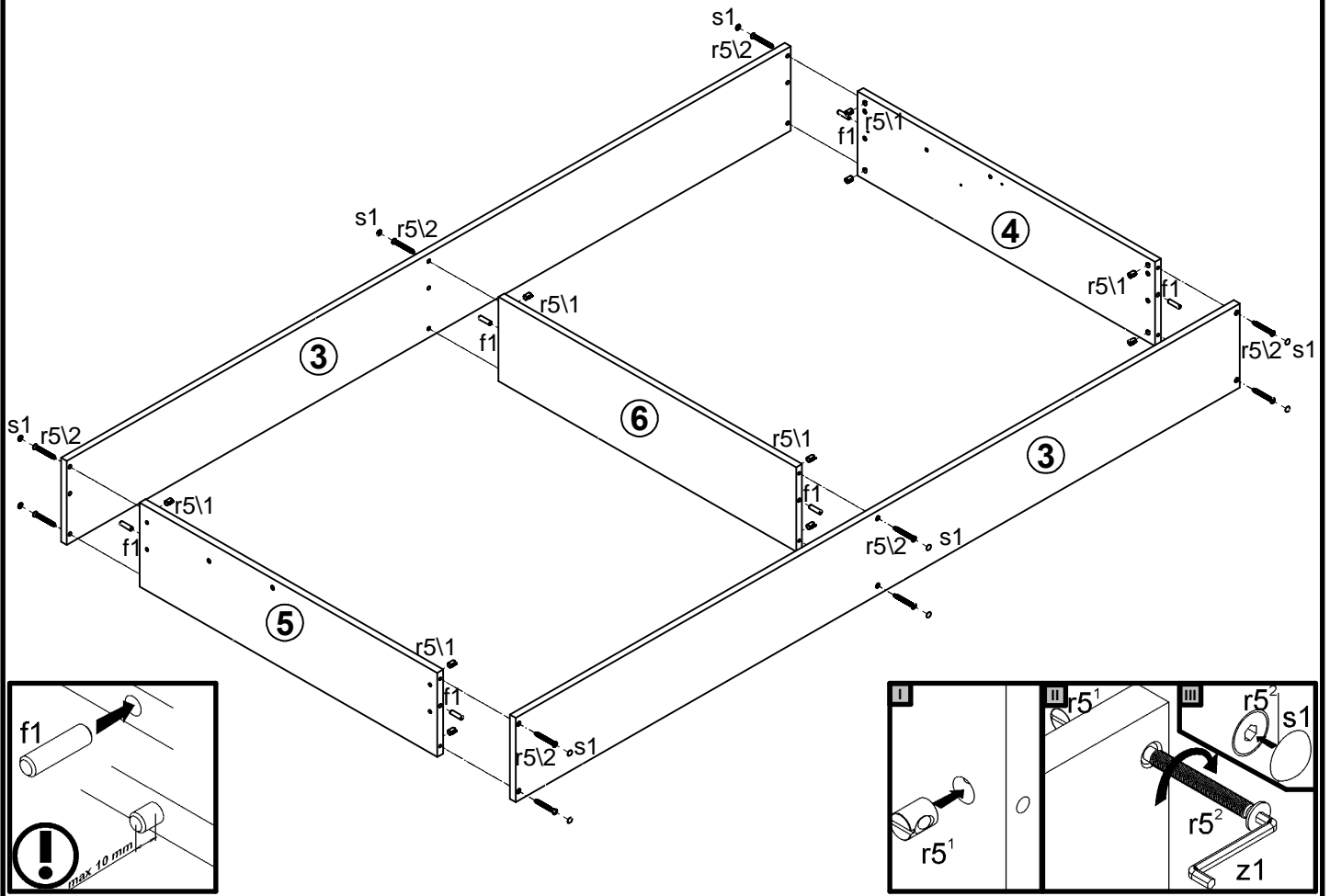
S52-LOZ/90

A	B	C	D	
1	S52-012	950	430	2/2
2	S52-013	950	550	2/2
3	S36-119	1990	200	1/2
4	S36-120	818	200	1/2
5	S36-121	818	200	1/2
6	S36-122	818	200	1/2
7	S36-910	1985	420	1/2
8	materac	1990	900	1/1
9	lh-970	970	12	1/2



8x φ7x28 mm e22	6x φ8x30 mm f1	4x M6x30 mm j9	8x M6 j10	10x k1	68x l1	1x m28/L	1x m28/P	4x m28/V
8x φ6 mm o6	6x φ8,5x13 mm p1	12x φ10x13 mm r5/V	12x φ8x50 mm r5/L	20x s1	1x 395mm s7/L	1x 395mm s7/P	1x z1	

1 §2 §6



2

