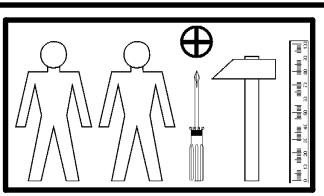
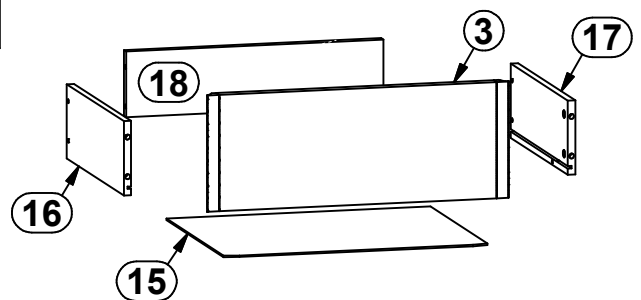
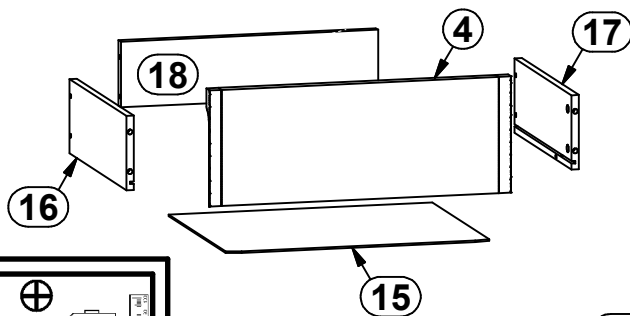
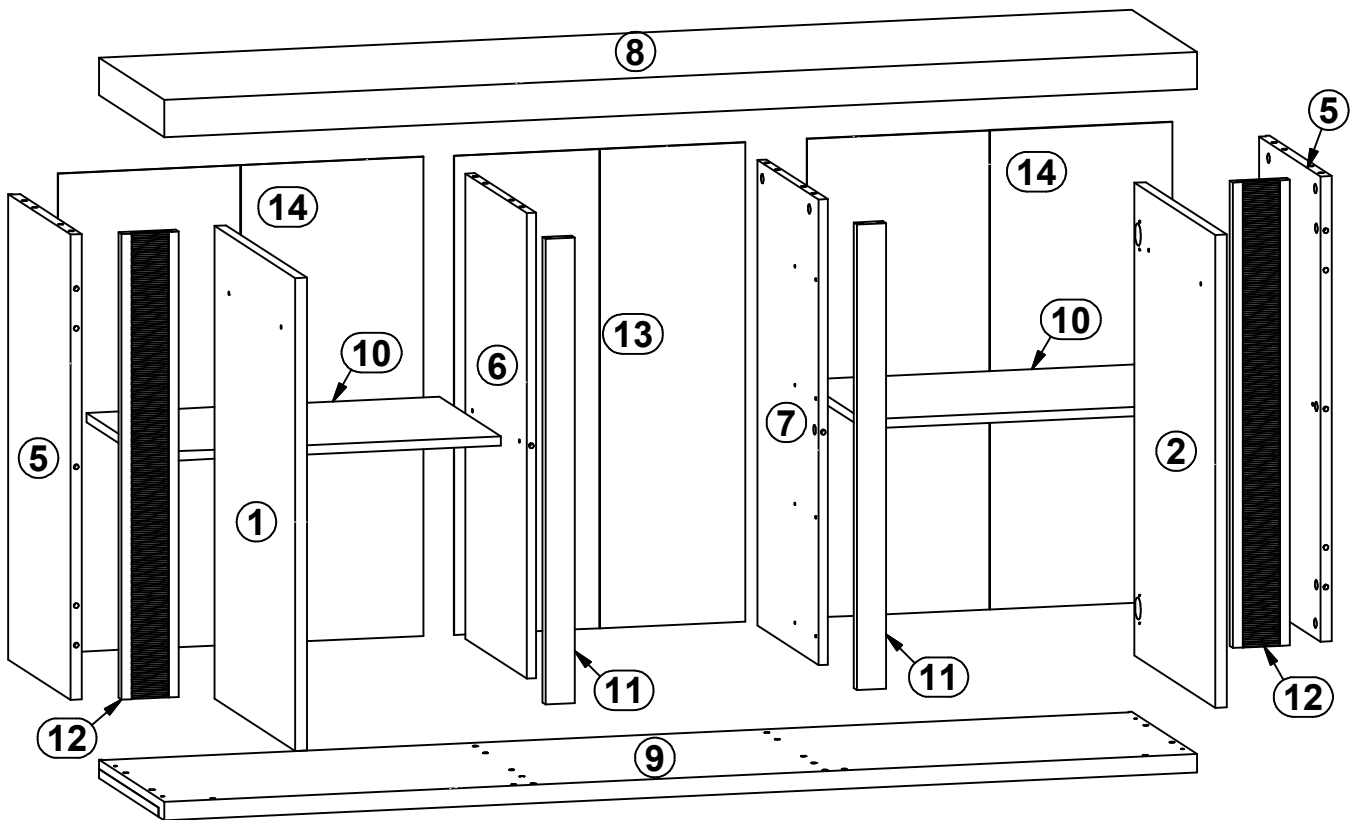
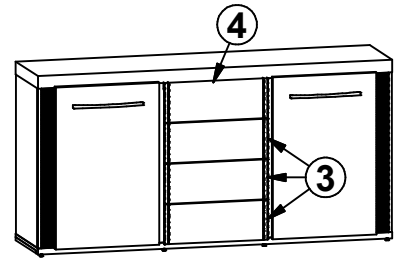


IBERIA

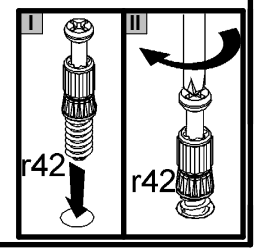
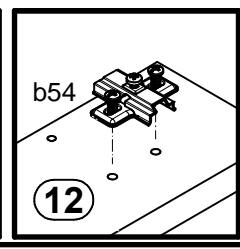
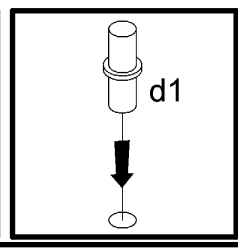
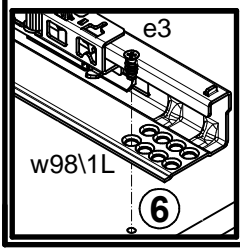
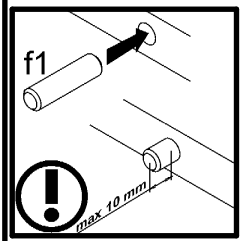
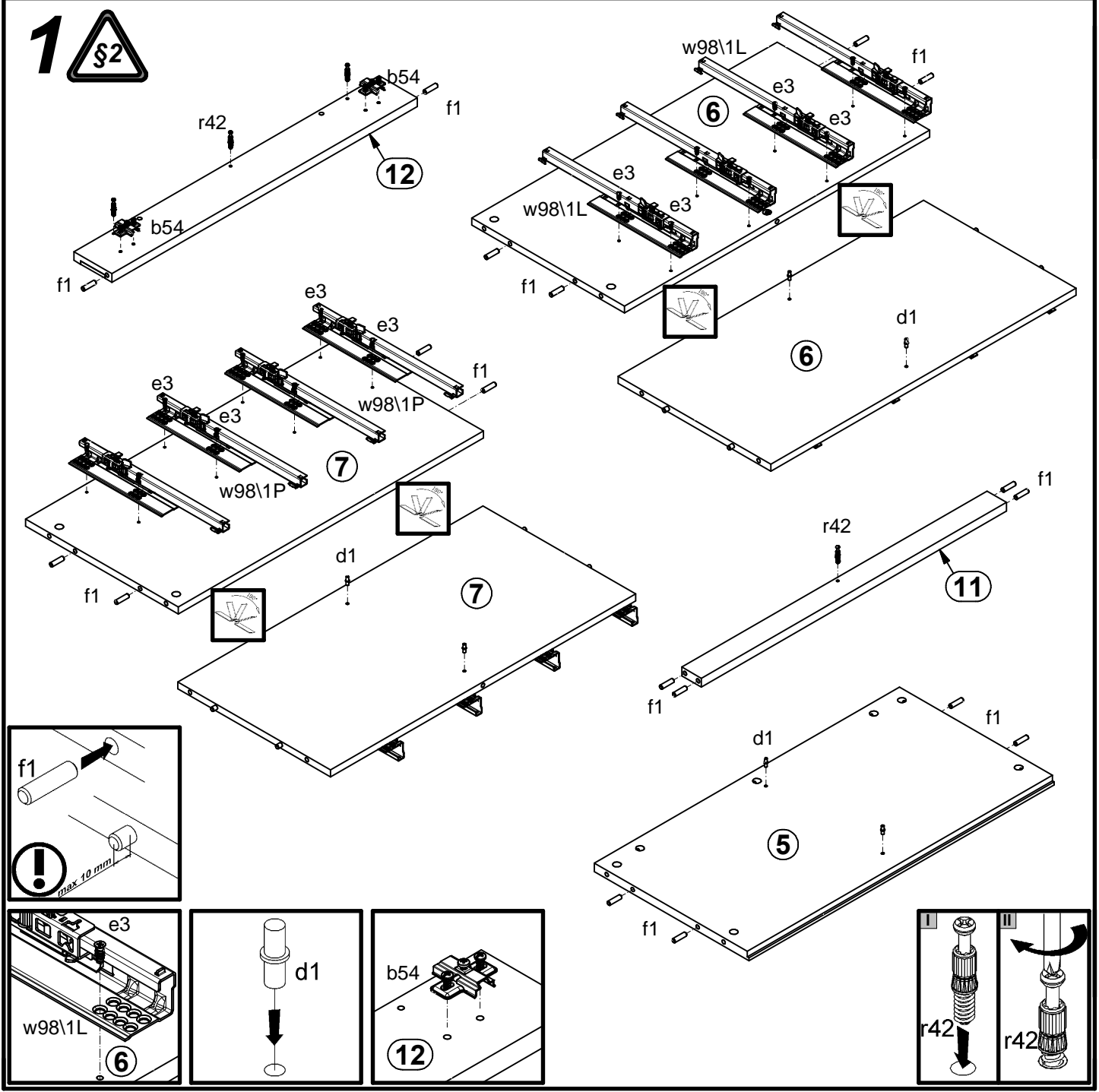
S181-KOM2D4S

| A | B | C | D | A | B | C | D | | |
|---|----------|------|-----|-----|----|----------|-----|-----|-----|
| 1 | S181-001 | 496 | 764 | 5/6 | 10 | S181-302 | 581 | 376 | 1/6 |
| 2 | S181-002 | 496 | 764 | 5/6 | 11 | S181-403 | 752 | 48 | 1/6 |
| 3 | S181-003 | 496 | 188 | 6/6 | 12 | S181-501 | 752 | 94 | 3/6 |
| 4 | S181-008 | 496 | 188 | 6/6 | 13 | S181-901 | 774 | 479 | 1/6 |
| 5 | S181-101 | 752 | 381 | 1/6 | 14 | S181-902 | 774 | 601 | 1/6 |
| 6 | S181-103 | 752 | 376 | 1/6 | 15 | S181-903 | 434 | 356 | 1/6 |
| 7 | S181-104 | 752 | 376 | 1/6 | 16 | ZT1-501 | 350 | 120 | 1/6 |
| 8 | S181-201 | 1699 | 400 | 2/6 | 17 | ZT1-502 | 350 | 120 | 1/6 |
| 9 | S181-206 | 1699 | 400 | 2/6 | 18 | ZT1-512 | 423 | 106 | 1/6 |

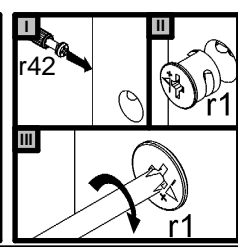
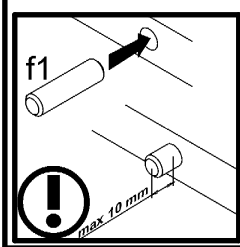
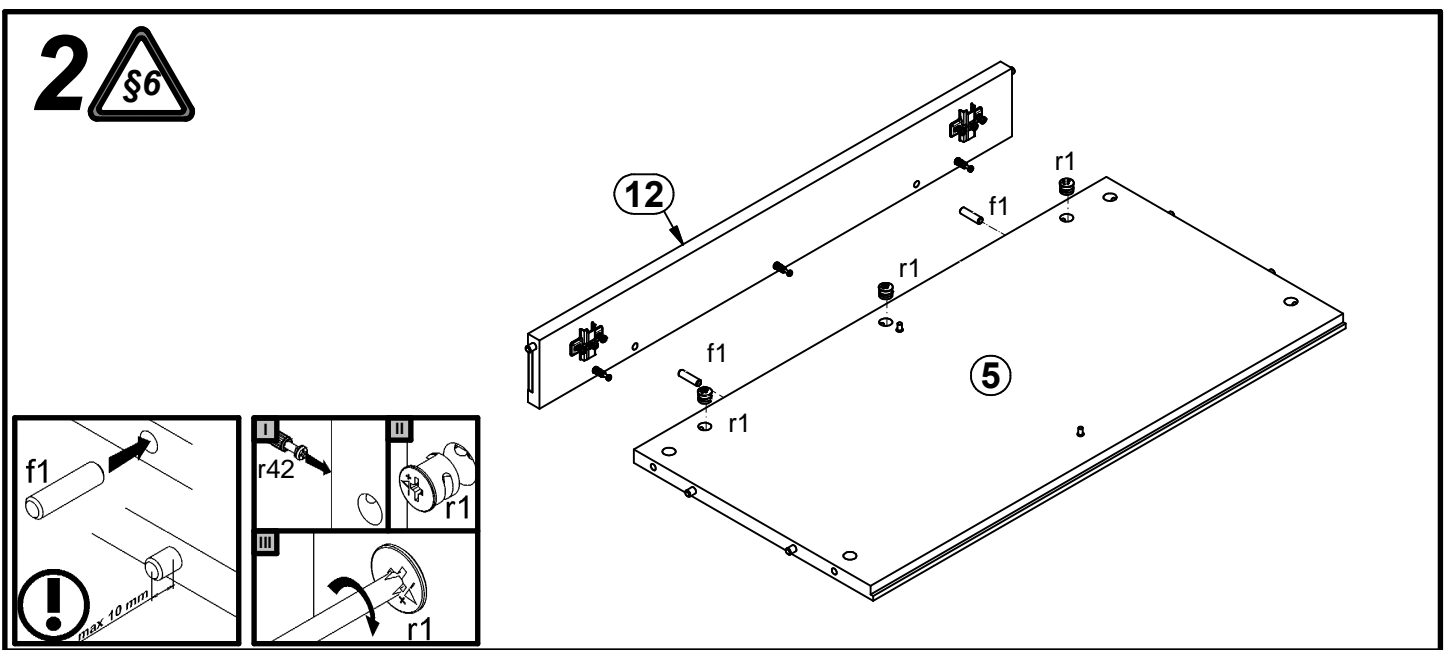


| | | | | | | | | |
|---------------------------------|-----------------------------|----------------|------------------------------|-----------------------------|--------------------------------|-----------------------------------|------------------------------|----------------------------|
| 4x a113 | 4x b54 | 2x c352 | 8x d1 Ø5x17 mm | 4x e1 Ø7x50 mm | 16x e3 Ø6x13 mm | 32x f1 Ø8x30 mm | 16x f25 Ø6.5x40 mm | 4x j8 M4x25 mm |
| 6x k39 2 M6 Ø14x14 mm | 6x k39 3 M6/22 mm | 80x l1 | 12x p38 Ø3.5x16 mm | 8x p51 Ø3.5x15 mm | 20x r1 Ø15x12 mm #16 | 16x r15 Ø12x10.5 mm #12 | 36x r42 | 4x w98 1L 360 mm |
| 4x w98 1P 360 mm | 14x s68 Ø 20mm | 1x z1 | 1x n26 1 | 1x p38 Ø3.5x16 mm | | | | |

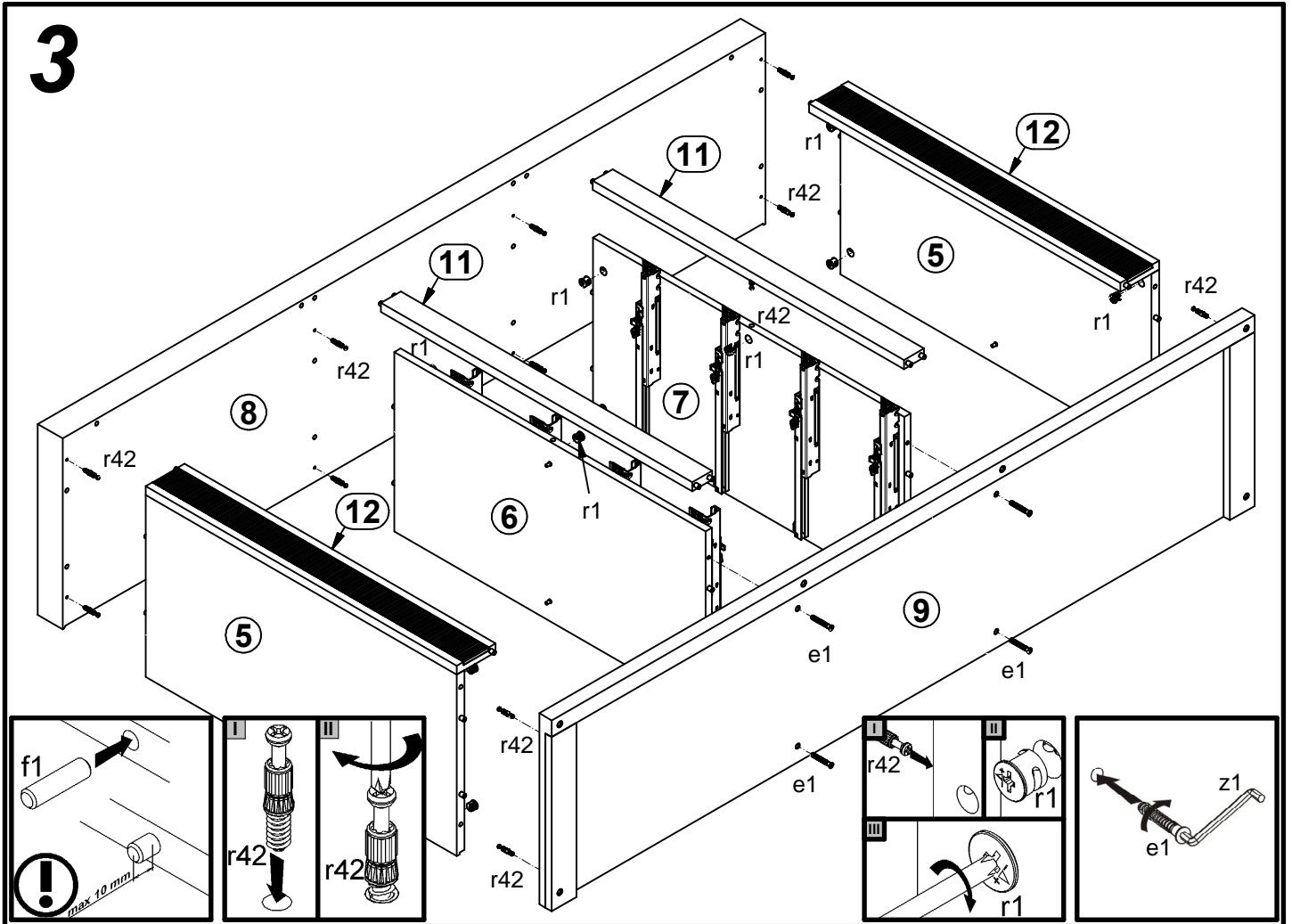
1



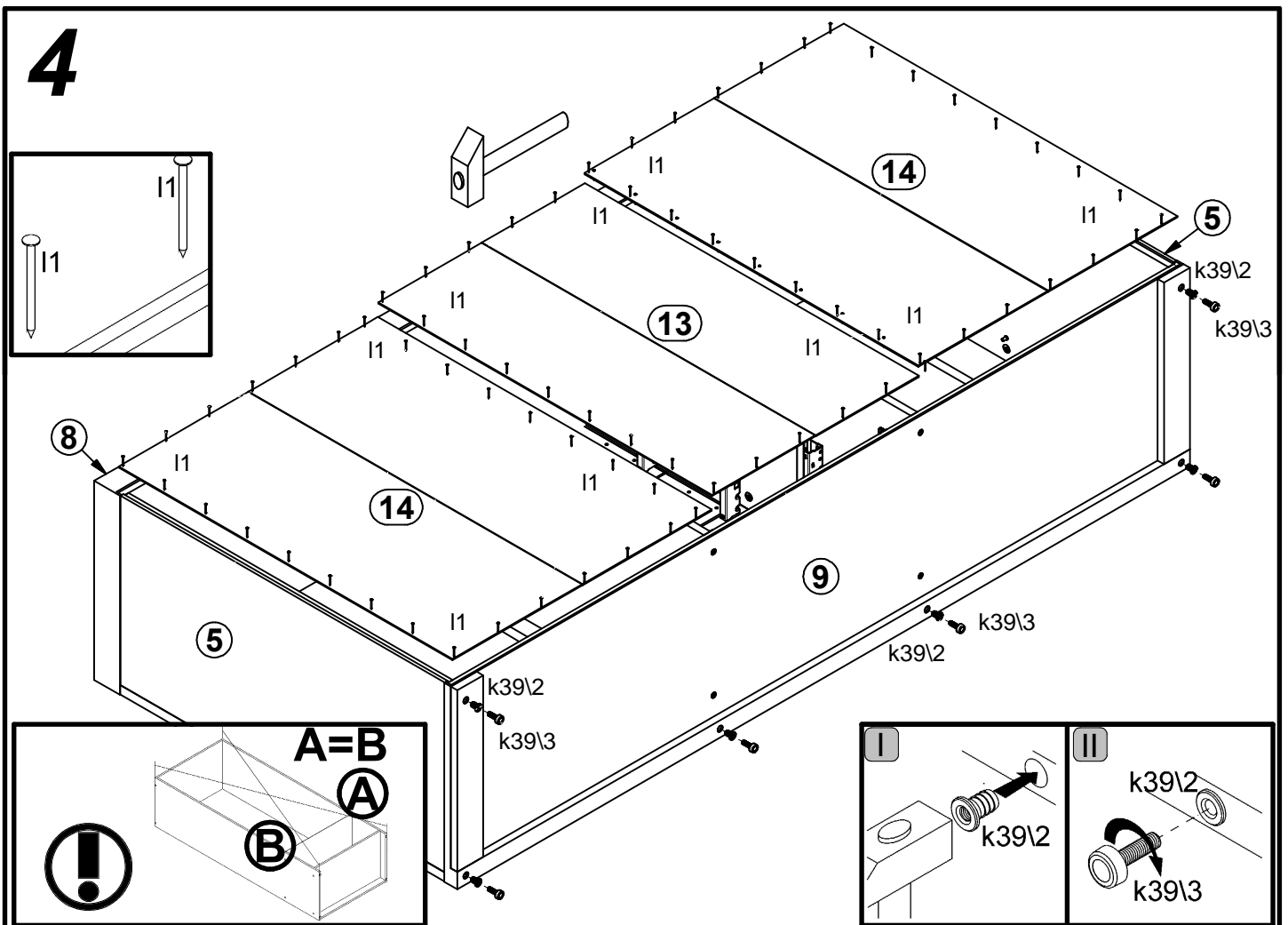
2



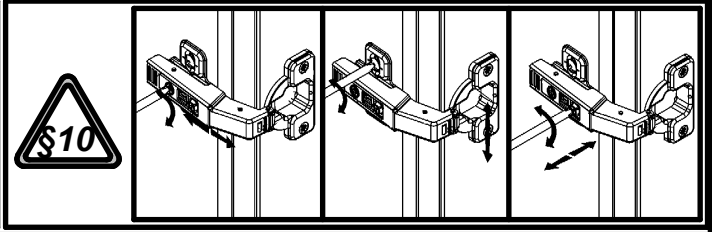
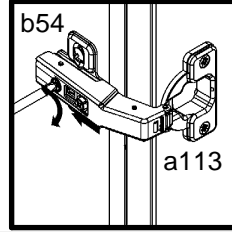
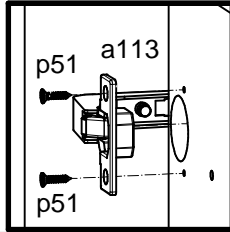
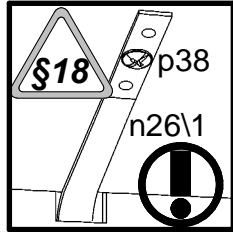
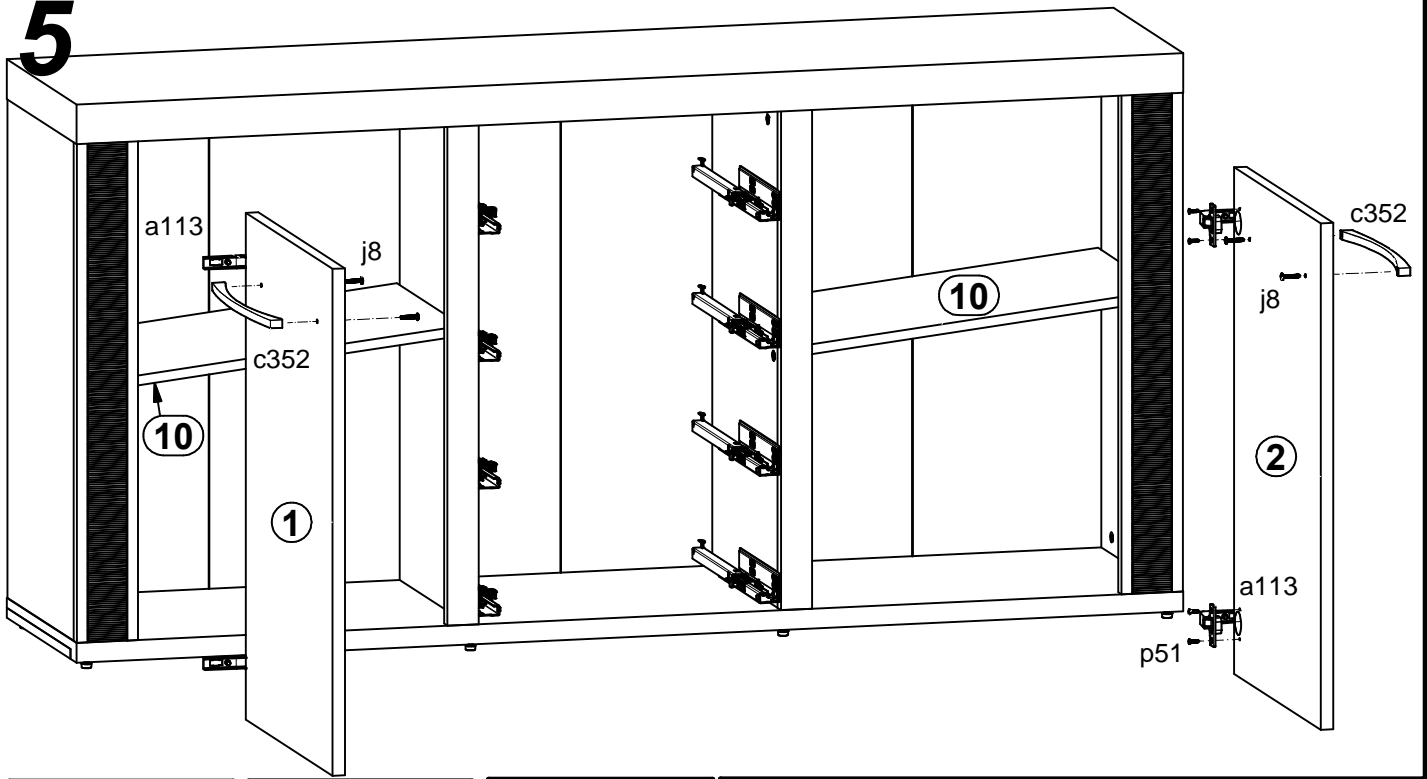
3



4



5



6

