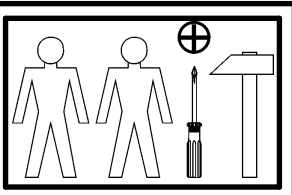
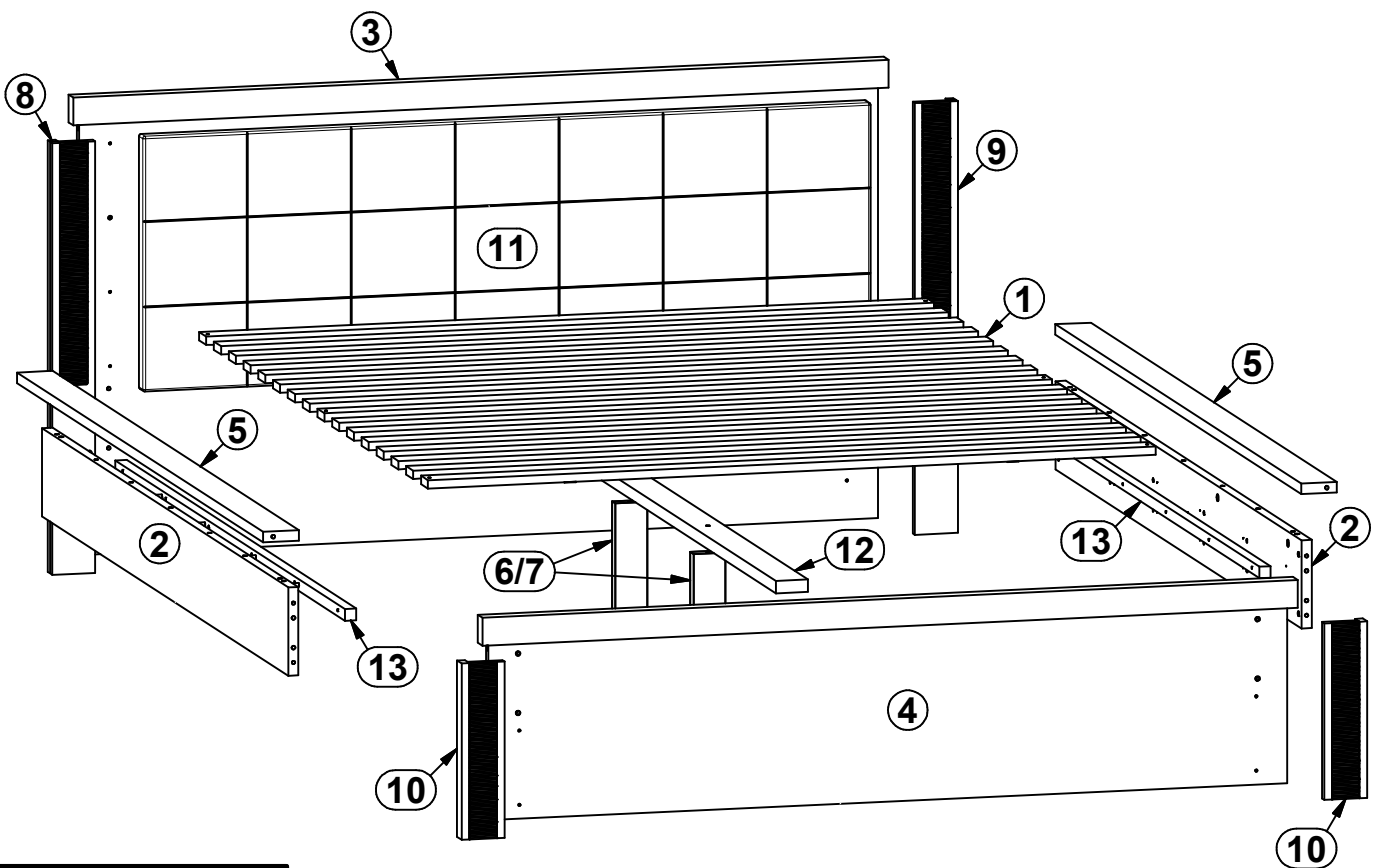
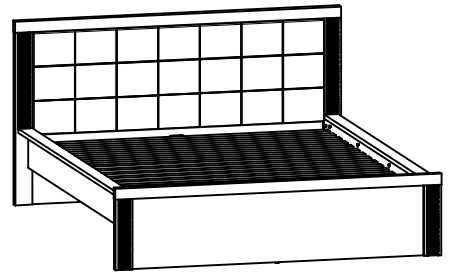


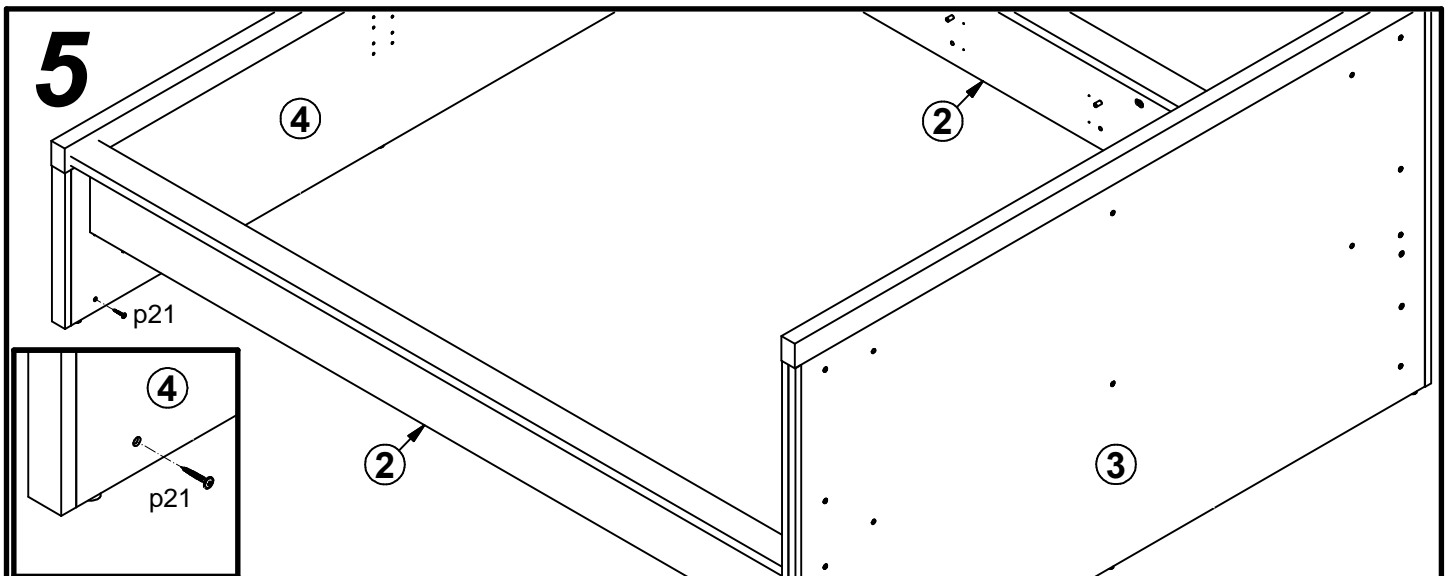
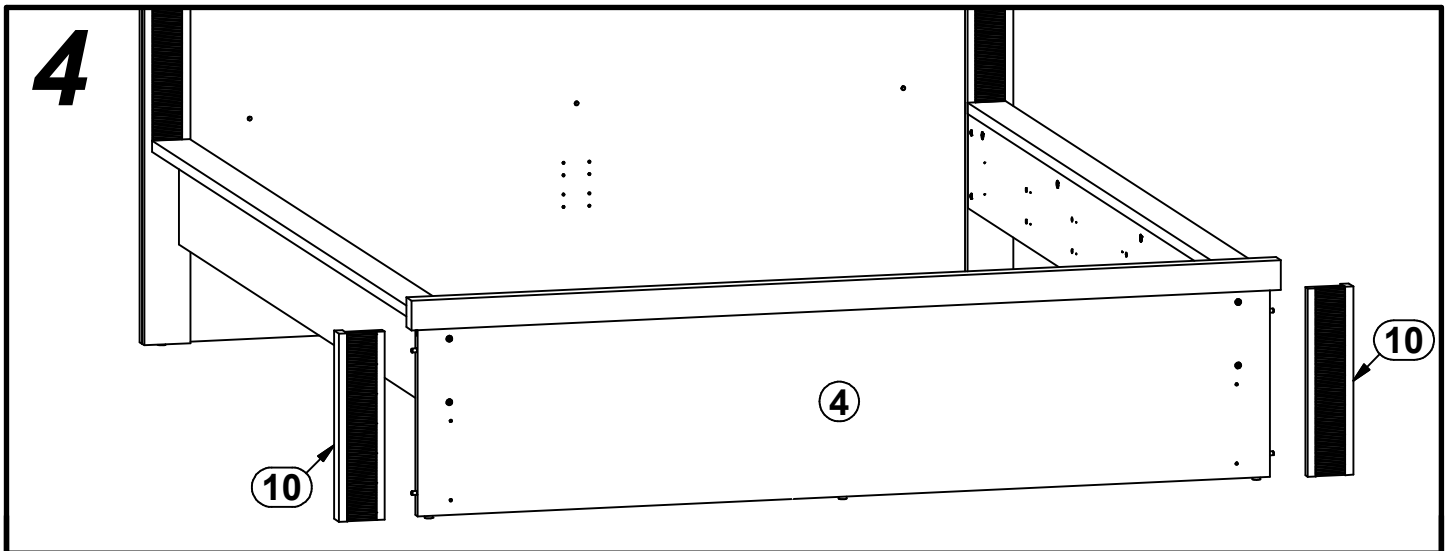
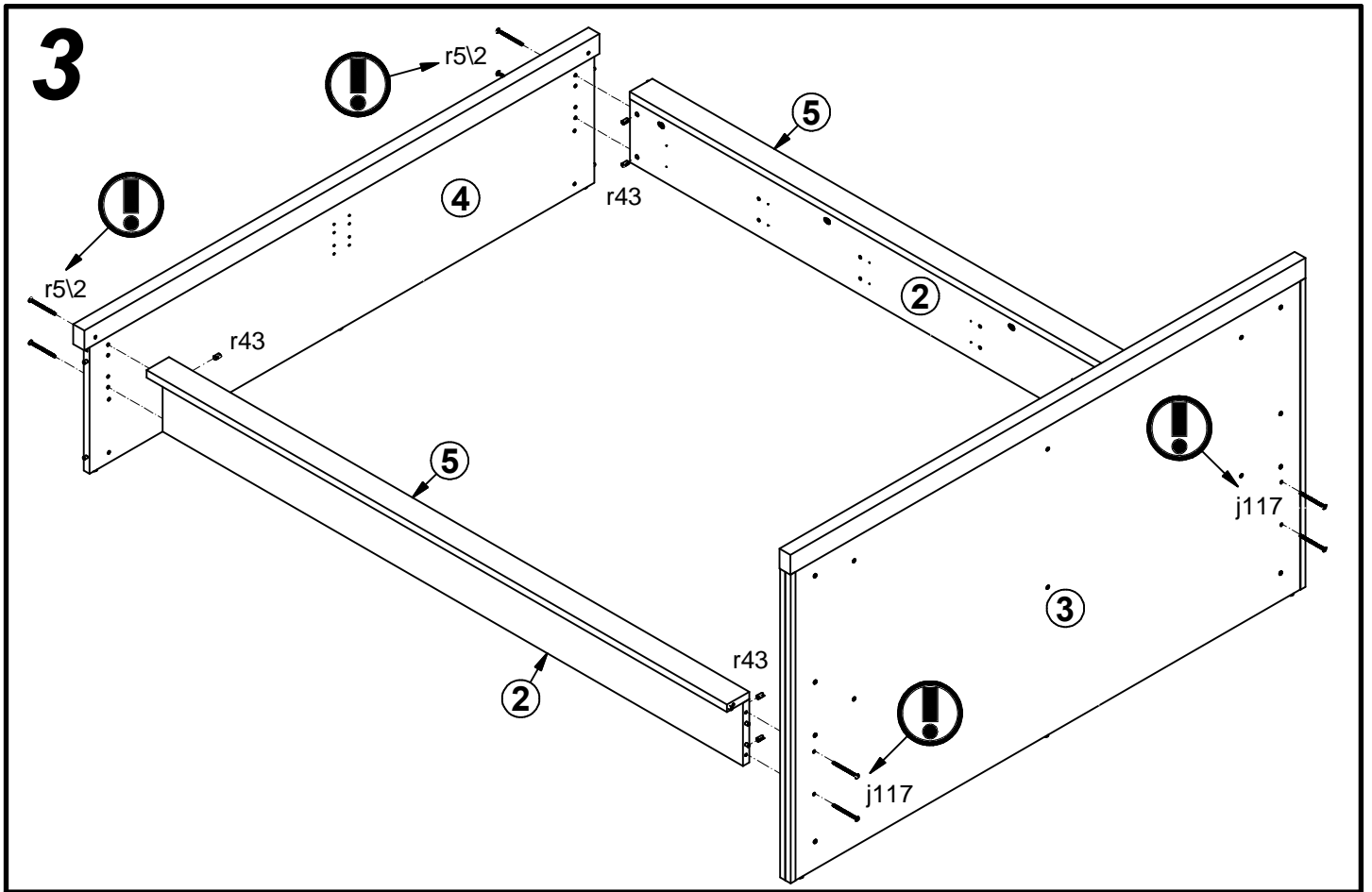
IBERIA

S181-LOZ/160

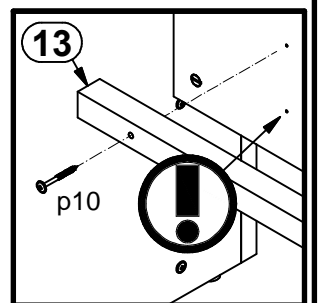
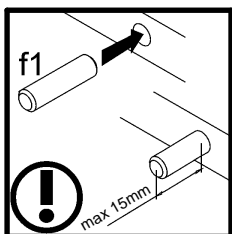
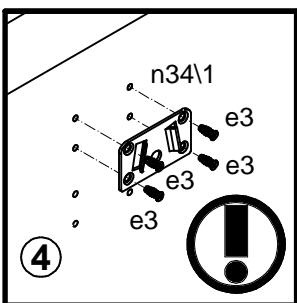
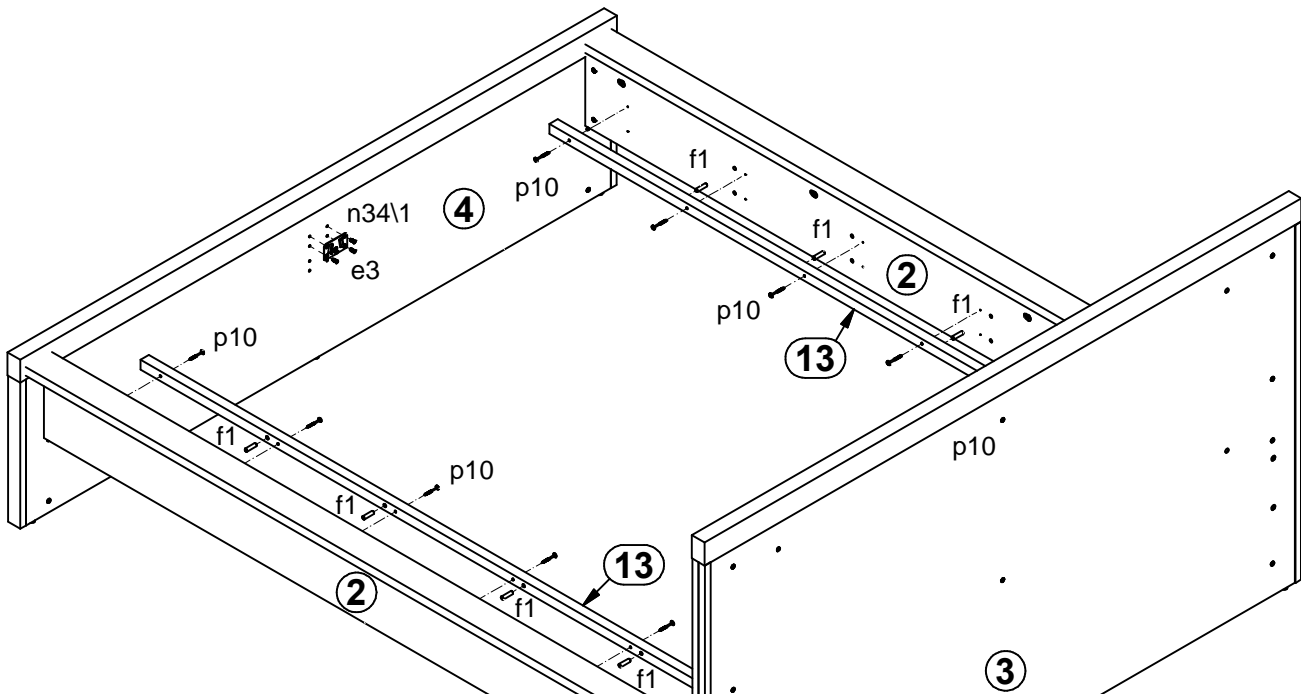
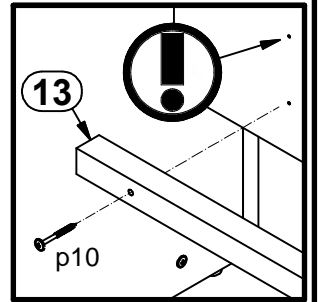
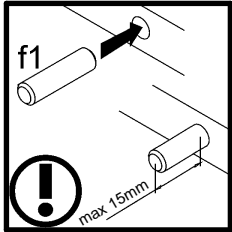
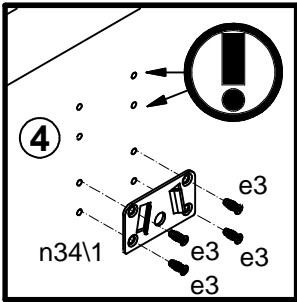
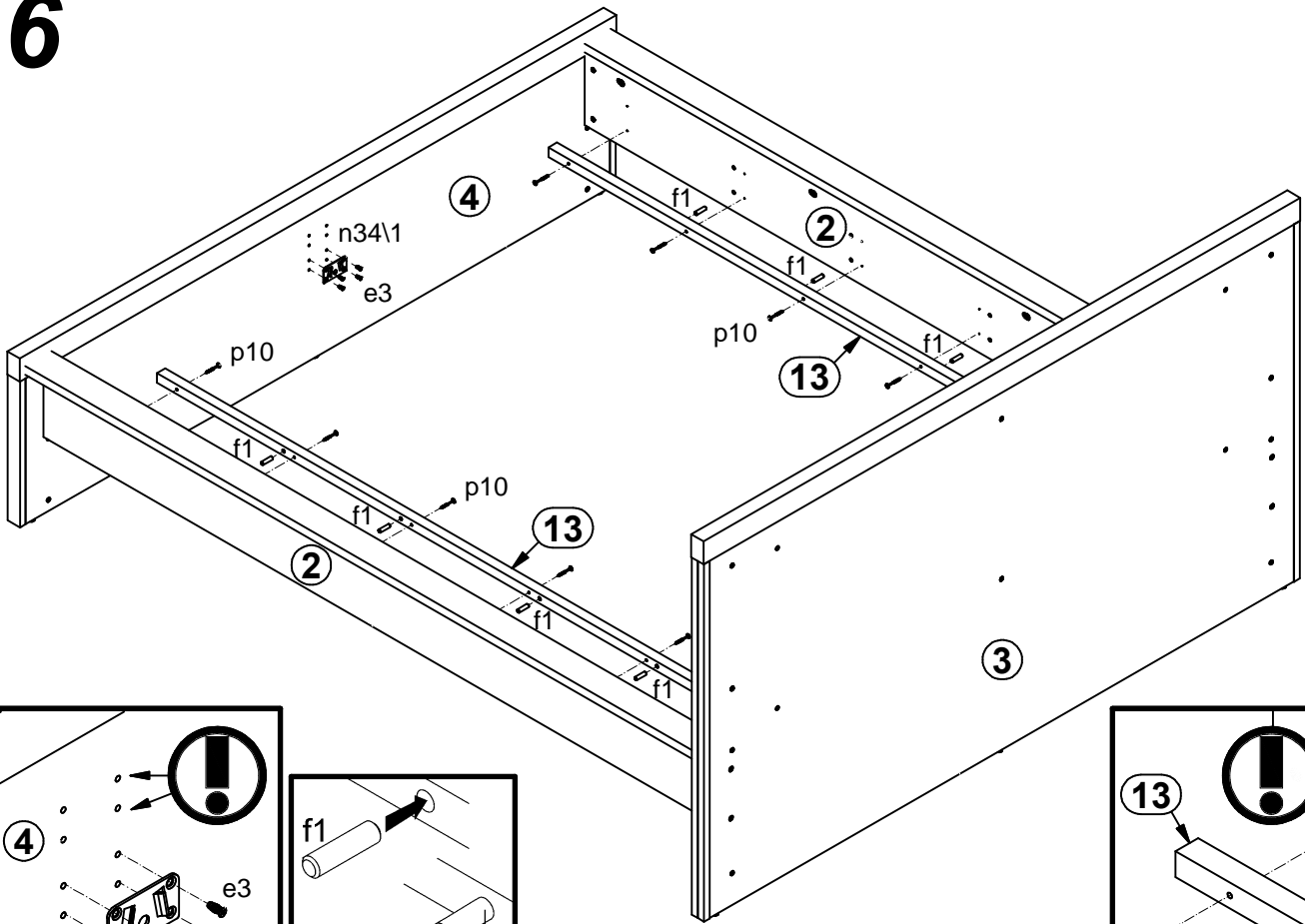
A	B	C	D
1		1872	1596
2	S181-134	2014	190
3	S181-411	1788	788
4	S181-412	1788	440
5	S181-414	2014	78
6	S181-415	238	70
7	S181-416	302	70
8	S181-519	930	94
9	S181-520	930	94
10	S181-521	380	94
11	S181-523	1596	550
12	ZZ1-743	2015	70
13	ZZ1-747	1880	25



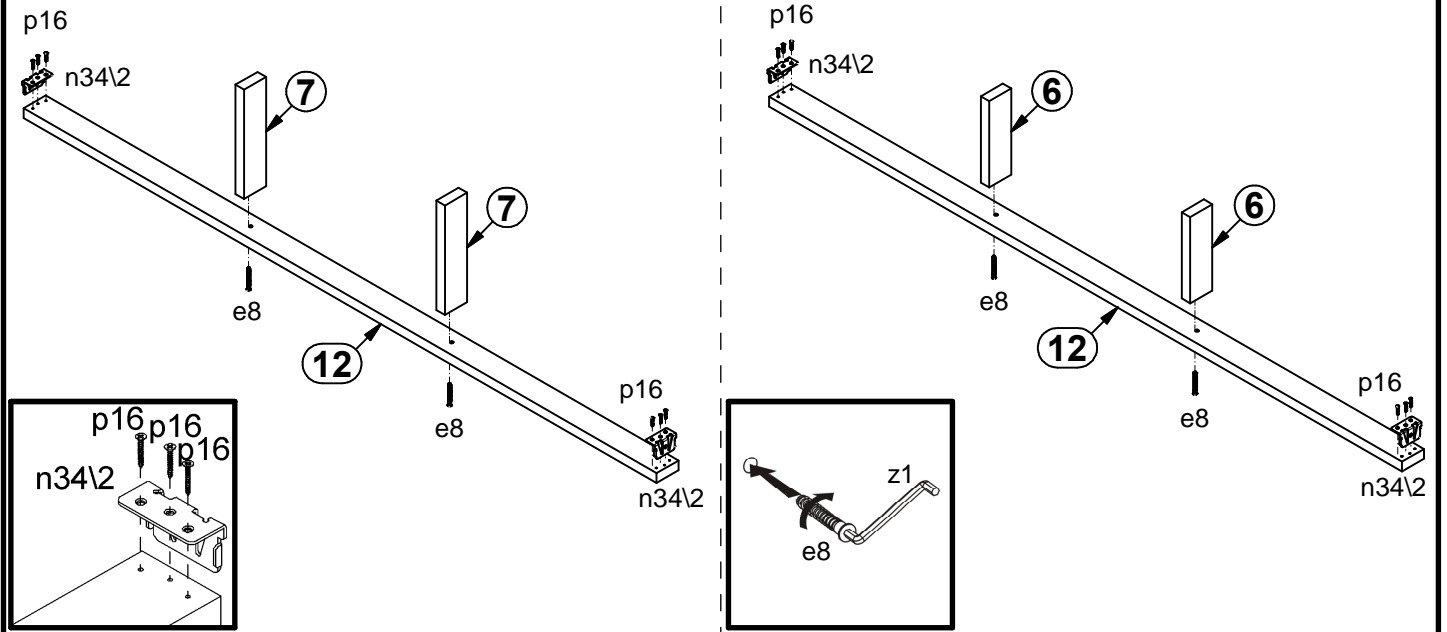
8x Ø6x13 mm e3	2x Ø7x60 mm e8	6x Ø7x35 mm e26	34x Ø8x30 mm f1	4x Ø8x20 mm f13	4x M6x84 mm j117	6x k1	2x n34/1	2x n34/2
12x Ø4x40 mm p10	6x Ø3.5x25 mm p16	6x Ø4x35 mm p6	12x Ø4x30 mm p21	8x Ø15x12 mm #16 r1	8x Ø10x16 mm r43	4x Ø6x54 mm r5/2	8x r42	4x Ø 20mm s68
1x z1								



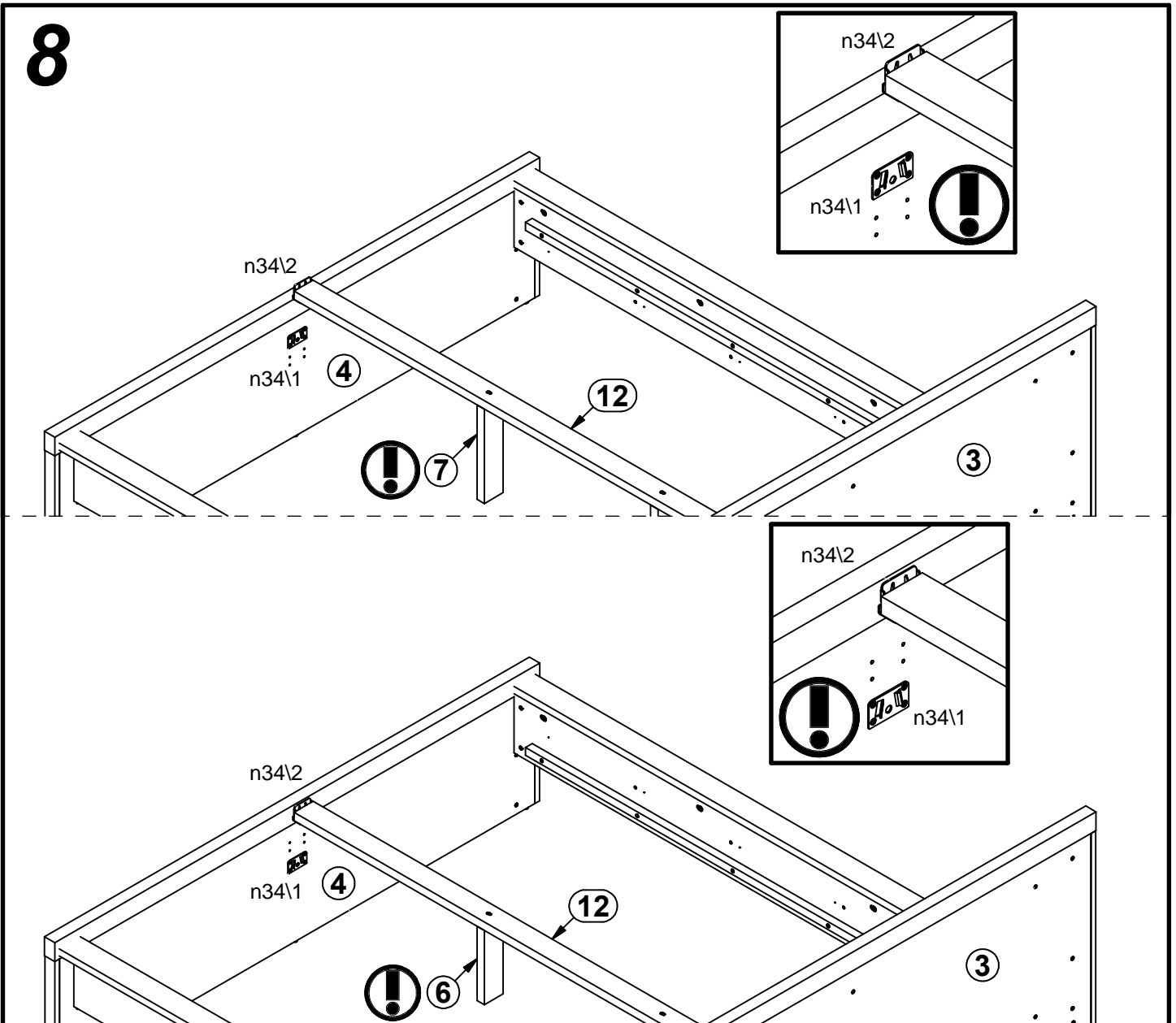
6



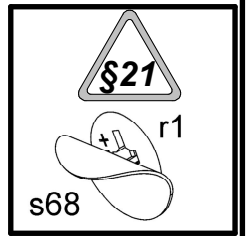
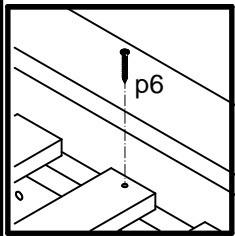
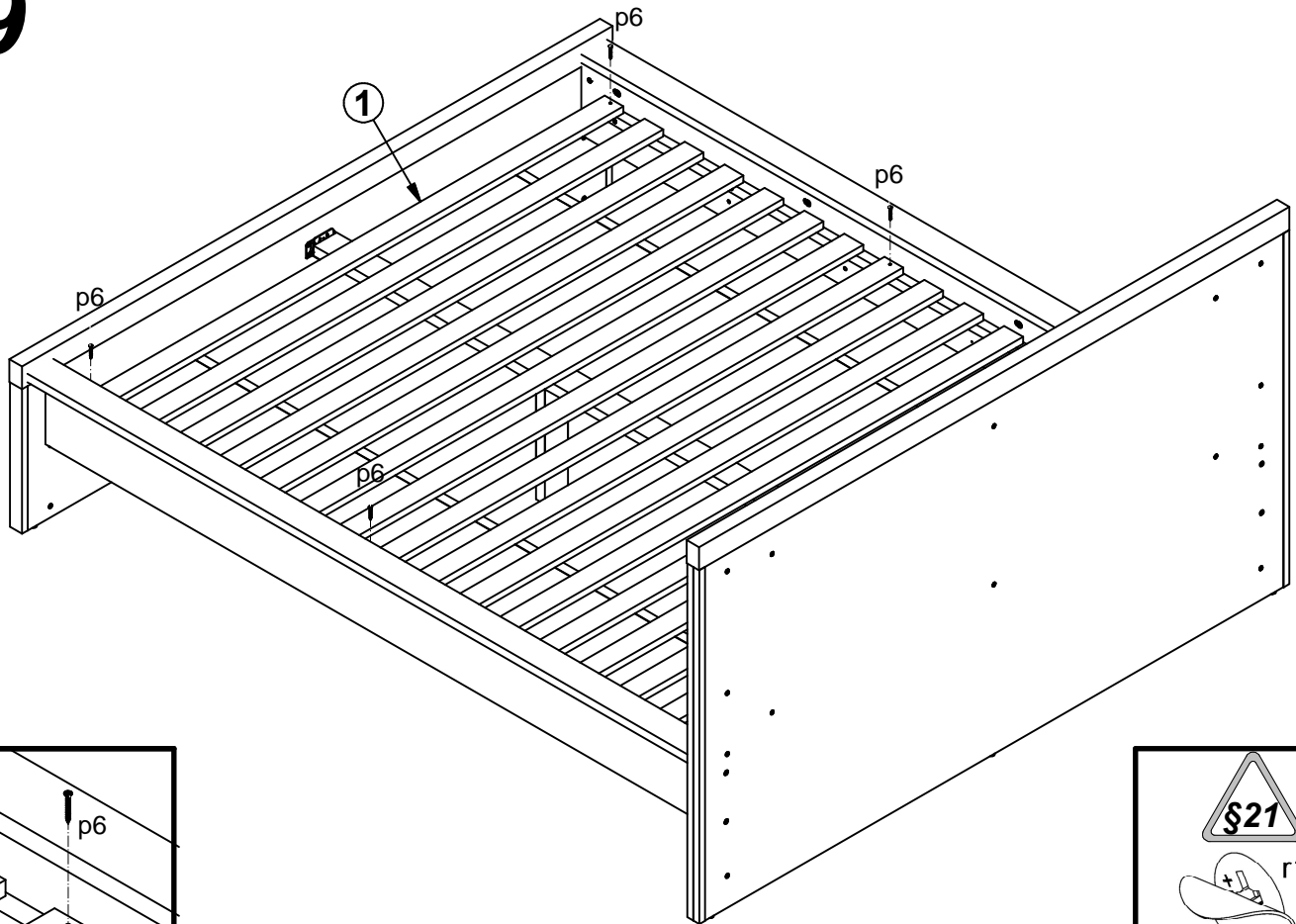
7



8



9



10

