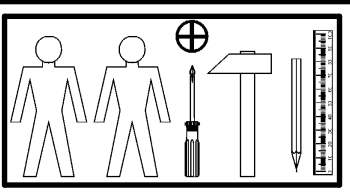
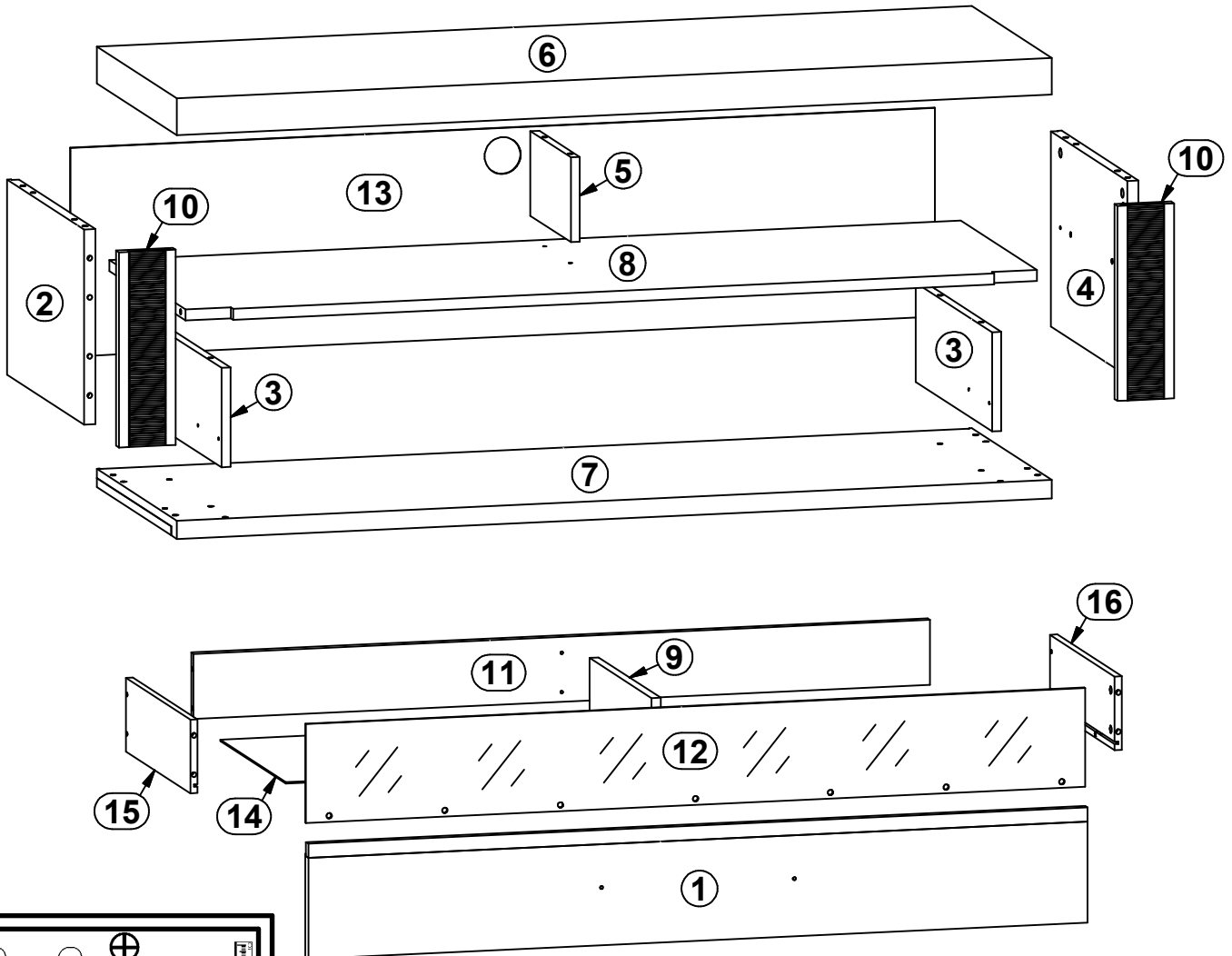
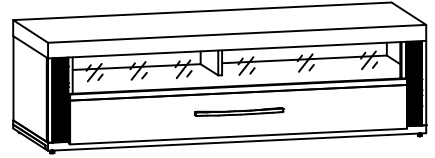


# IBERIA

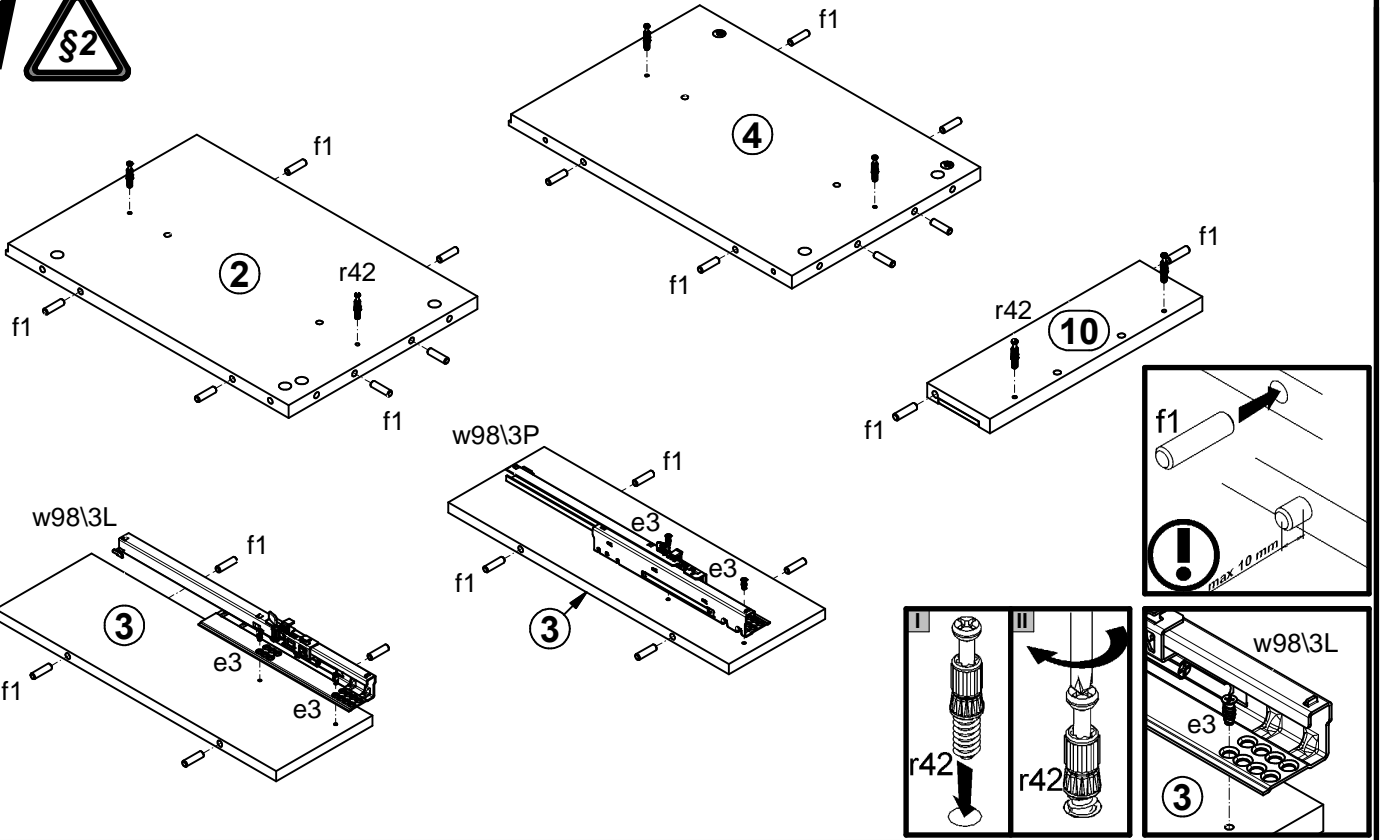
# S181-RTV1S

A	B	C	D	A	B	C	D		
1	S181-020	1293	188	4/4	9	S181-410	384	106	1/4
2	S181-112	318	477	1/4	10	S181-508	318	94	2/4
3	S181-114	162	473	1/4	11	S181-516	1222	106	1/4
4	S181-121	318	477	1/4	12	S181-517	1293	161	3/4
5	S181-125	138	250	1/4	13	S181-912	340	1435	1/4
6	S181-224	1452	496	1/4	14	S181-913	1233	406	1/4
7	S181-225	1452	496	1/4	15	ZT1-513	400	120	1/4
8	S181-320	1413	487	1/4	16	ZT1-514	400	120	1/4

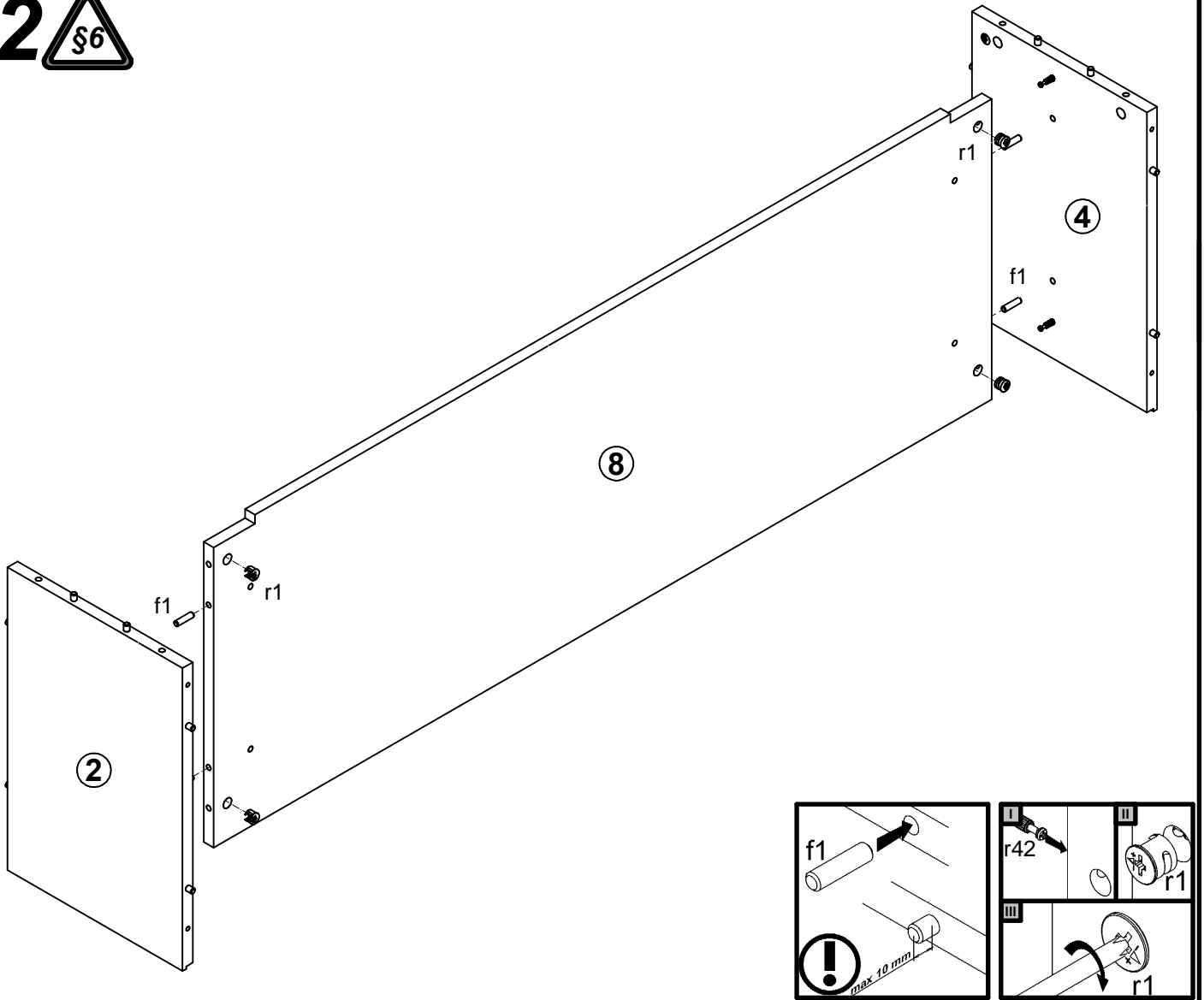


1x  c352	4x  e3 Ø6x13 mm	7x  e41 Ø5x12 mm	4x  e8 Ø7x60 mm	28x  f1 Ø8x30 mm	4x  f25 Ø6.5x40 mm	2x  j8 M4x25 mm	4x  k39\2 M6/Ø14x14 mm	4x  k39\3 M6/22 mm
55x  l1	7x  o54 Ø5.3/Ø8.3x4.8 mm	2x  p25 Ø3.5x16 mm	2x  p35 Ø3.5x10 mm	12x  p38 Ø3.5x16 mm	16x  r1 Ø15x12 mm #16	8x  r15 Ø12x10.5 mm #12	24x  r42	10x  s68 Ø 20mm
2x  t33 400 mm	1x  w98\3L 410 mm	1x  w98\3P 410 mm	1x  z1					

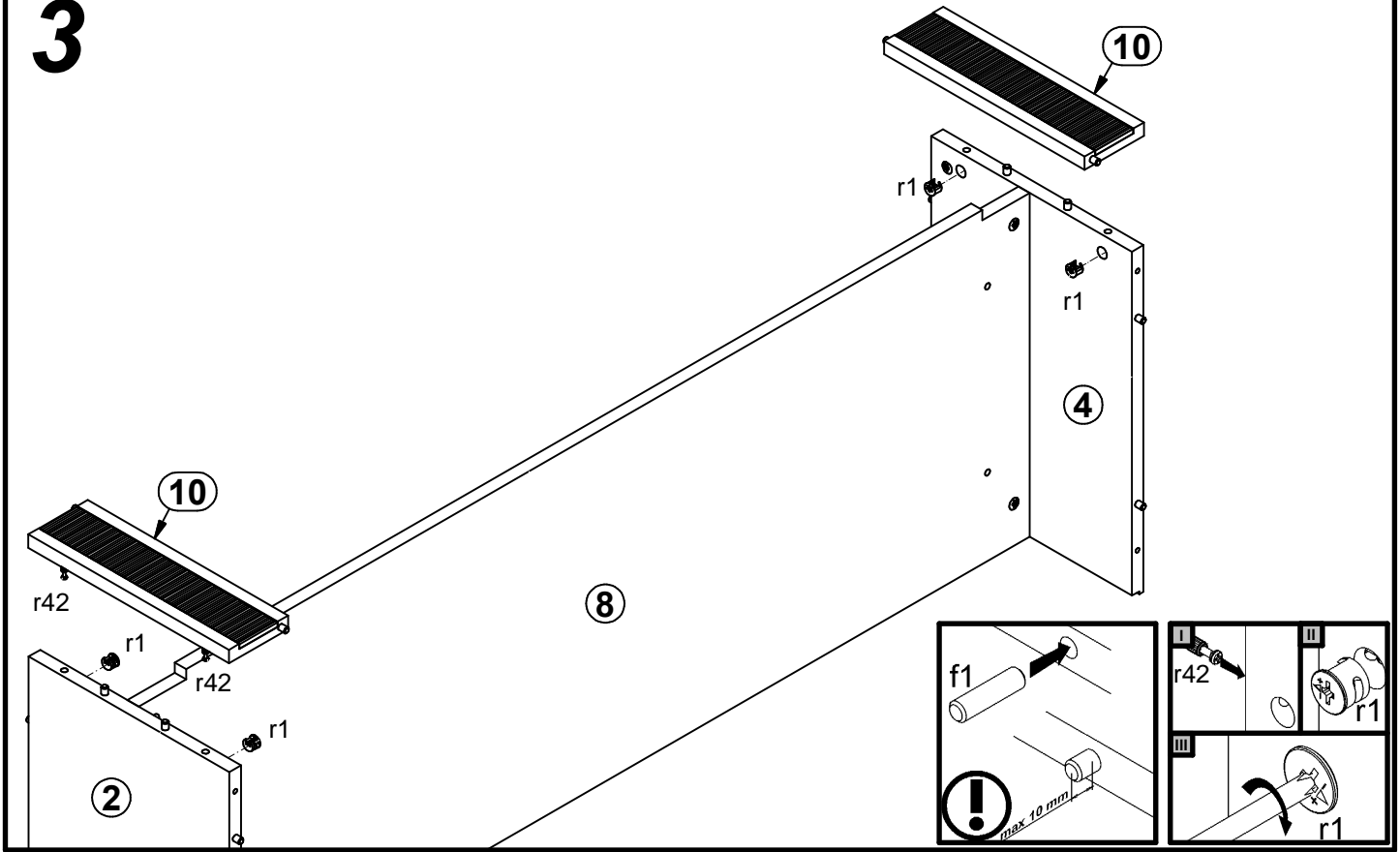
# 1



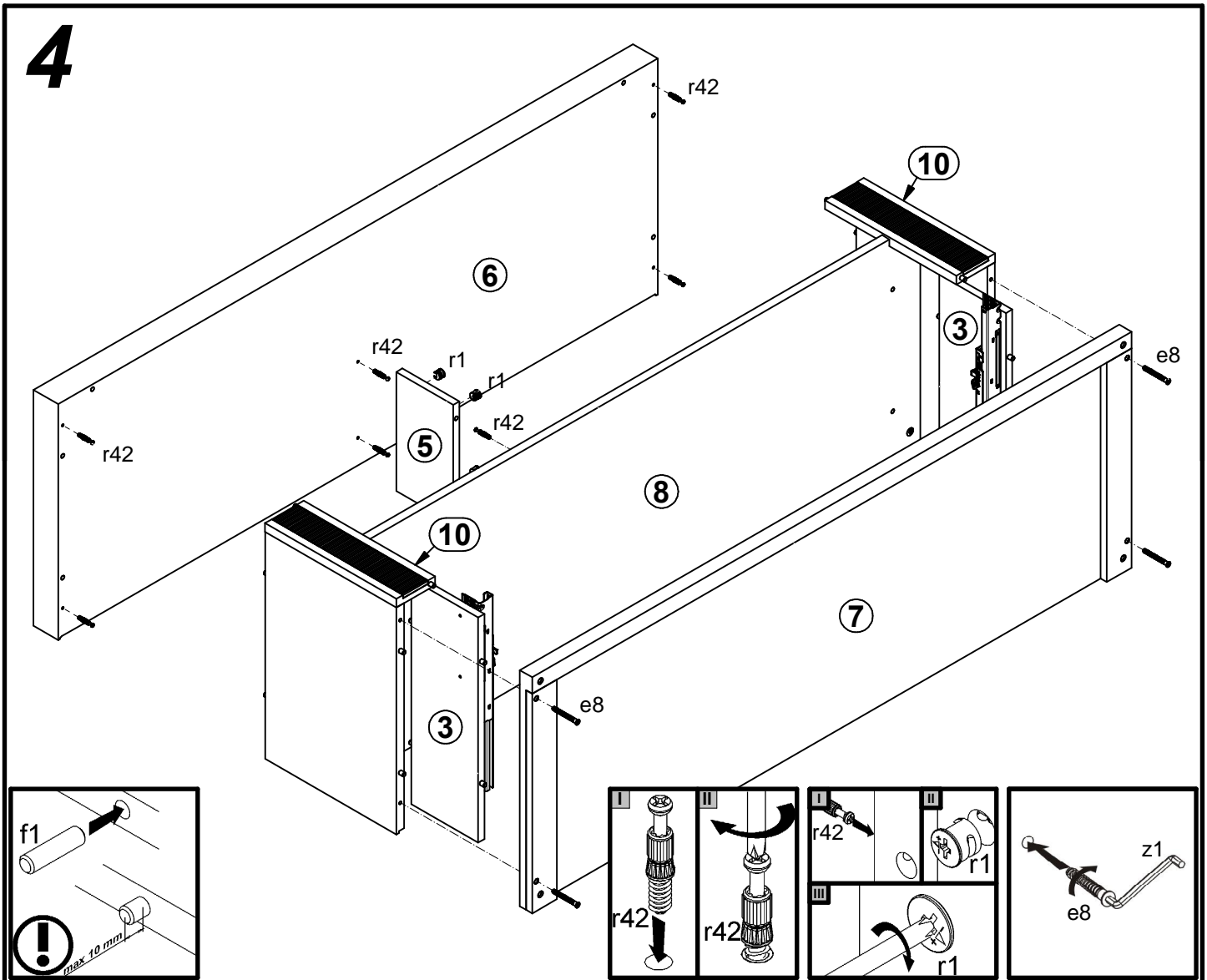
# 2

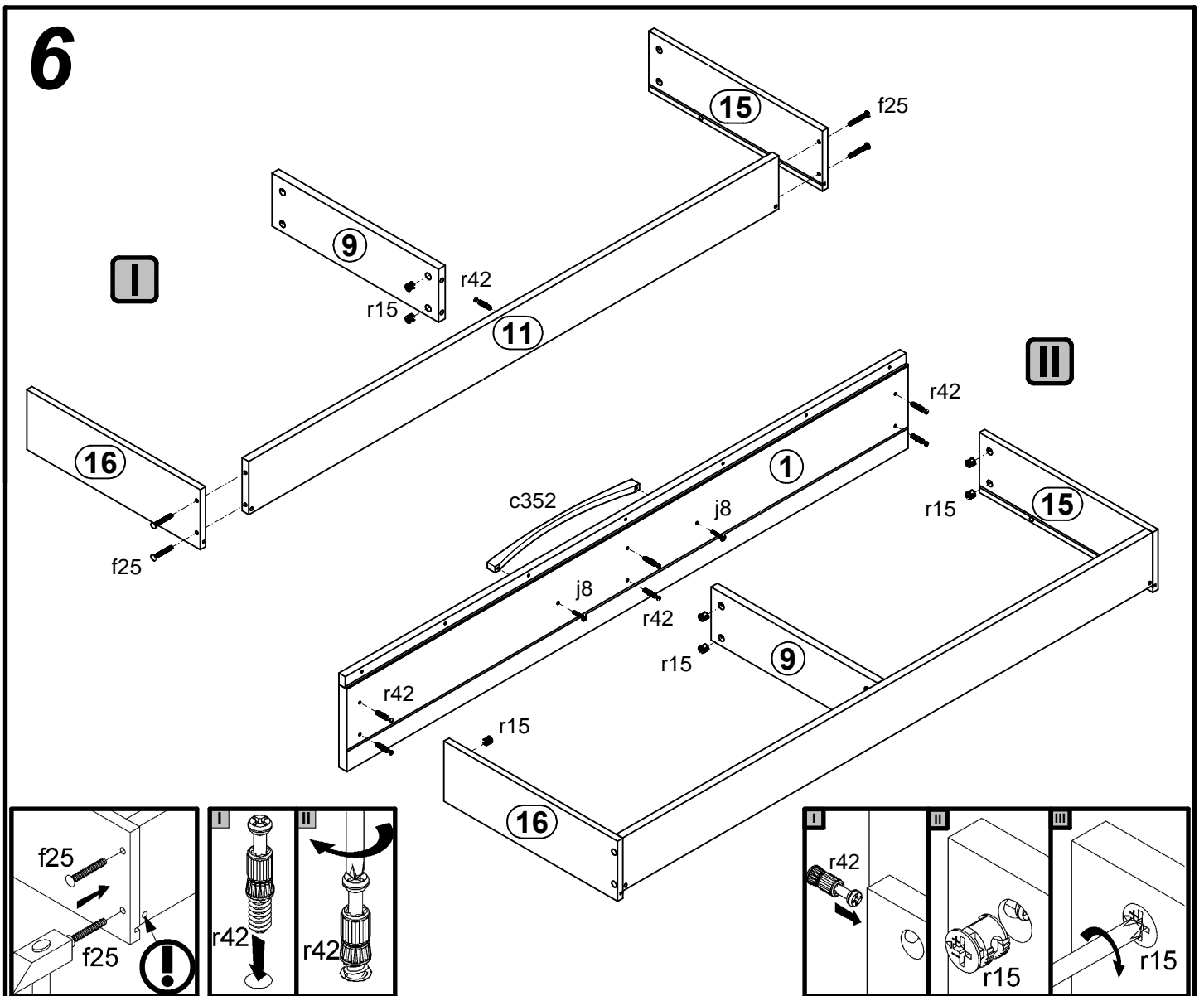
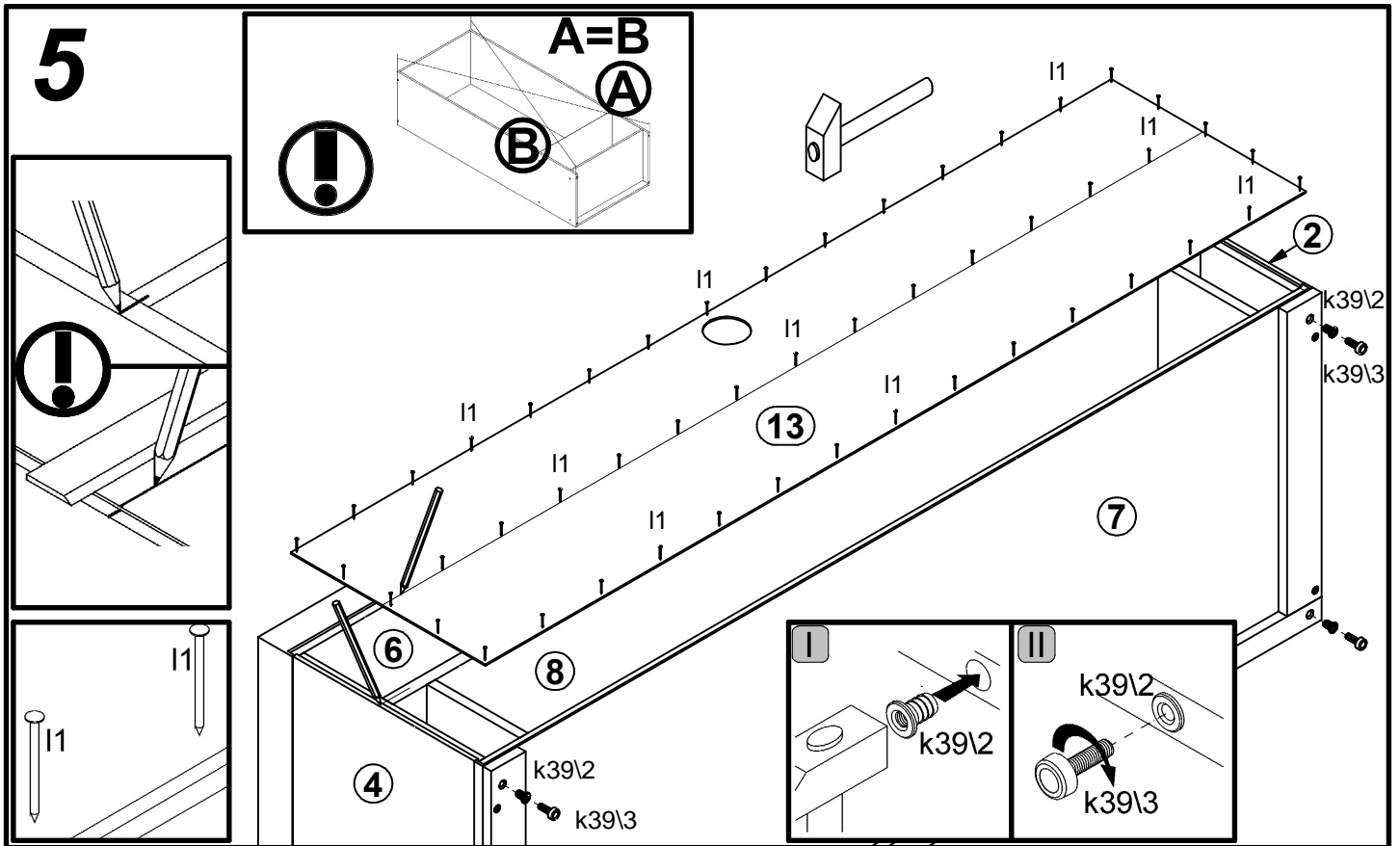


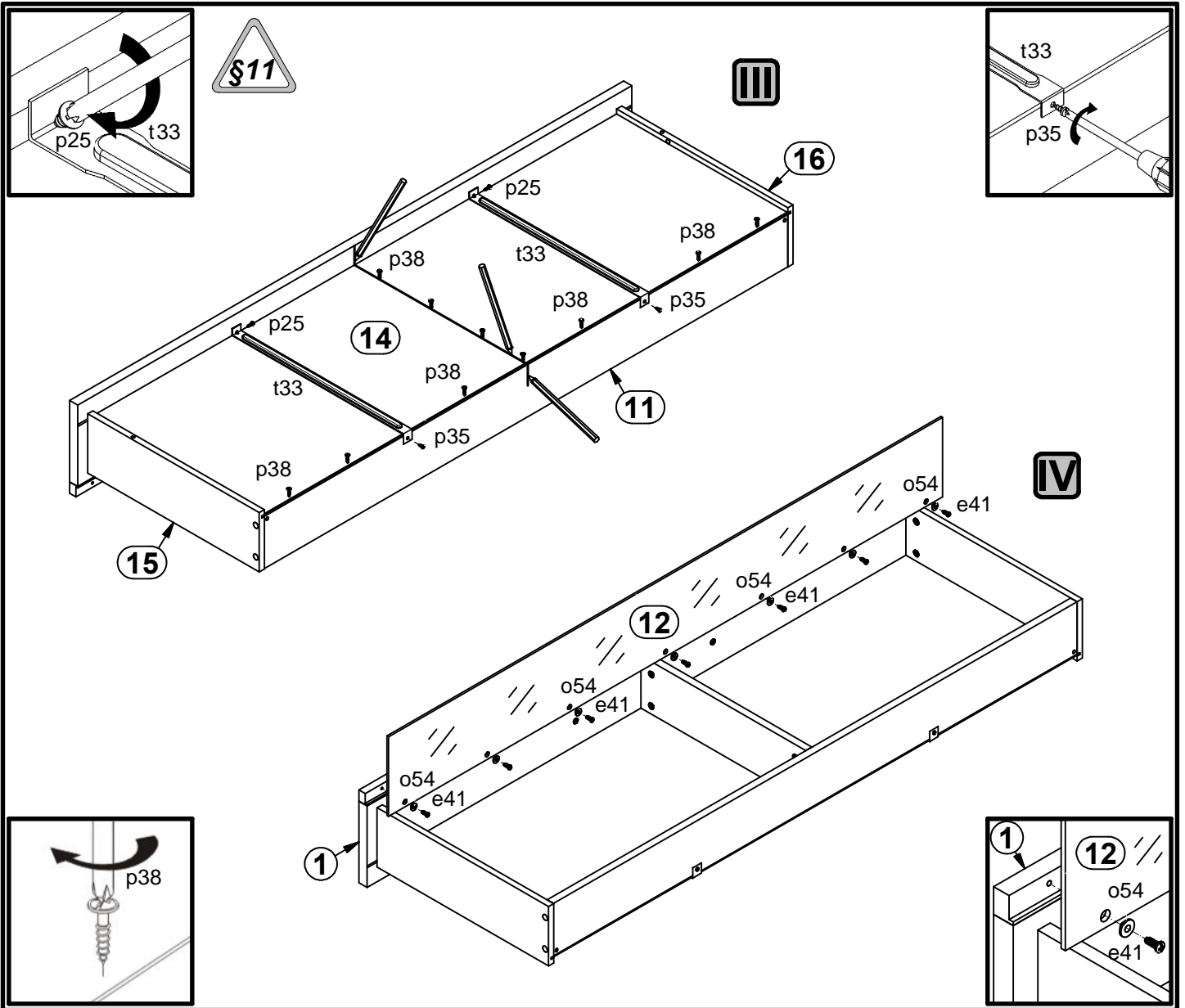
# 3



# 4







# 7

§11

