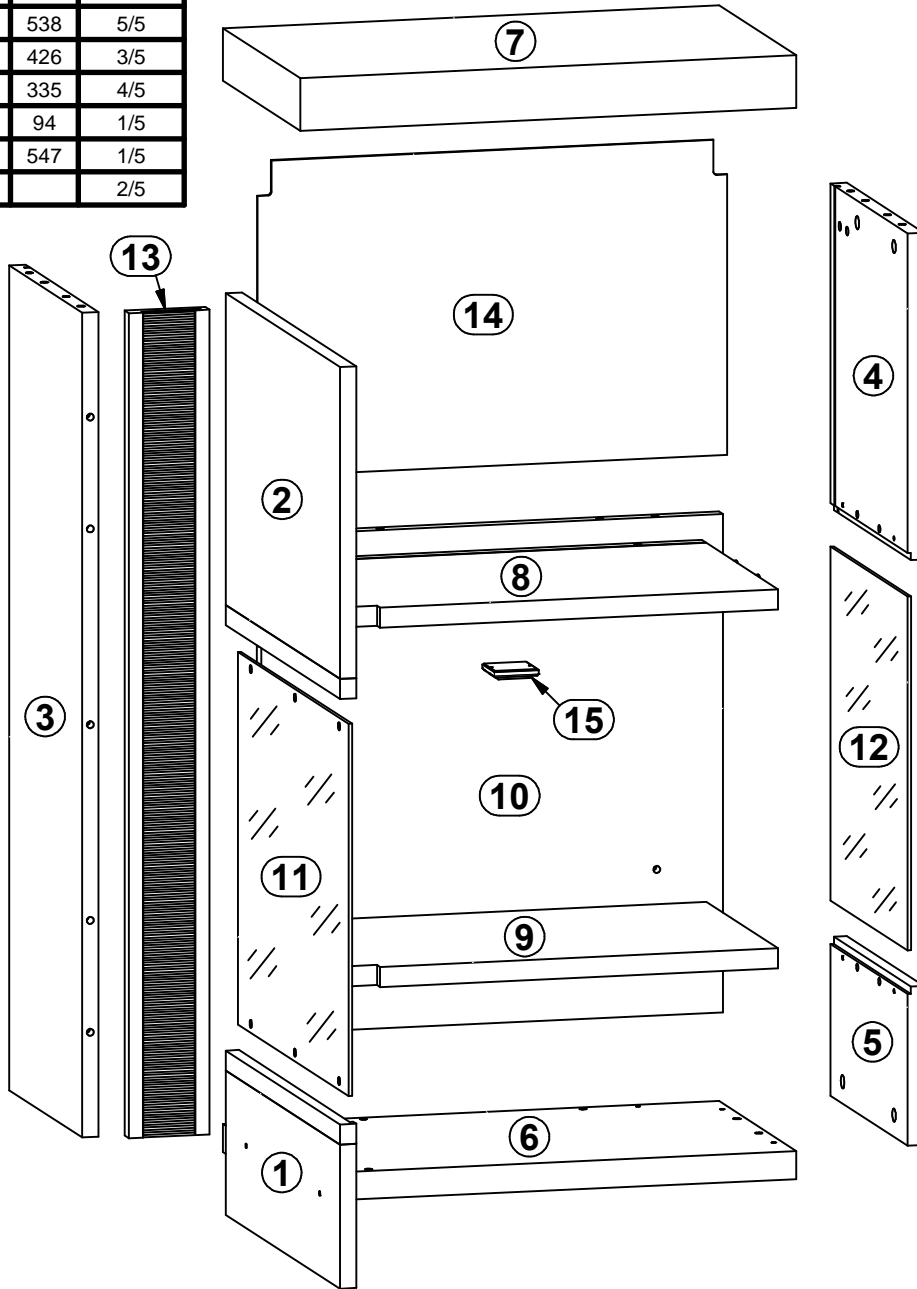
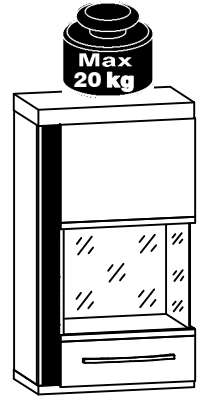


IBERIA

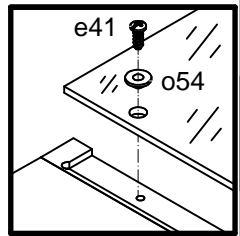
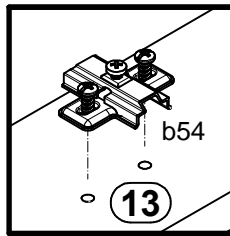
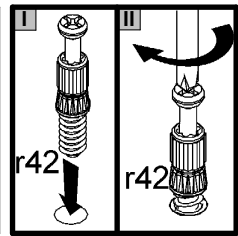
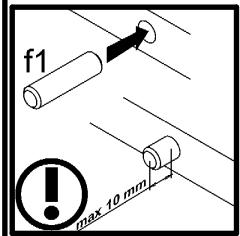
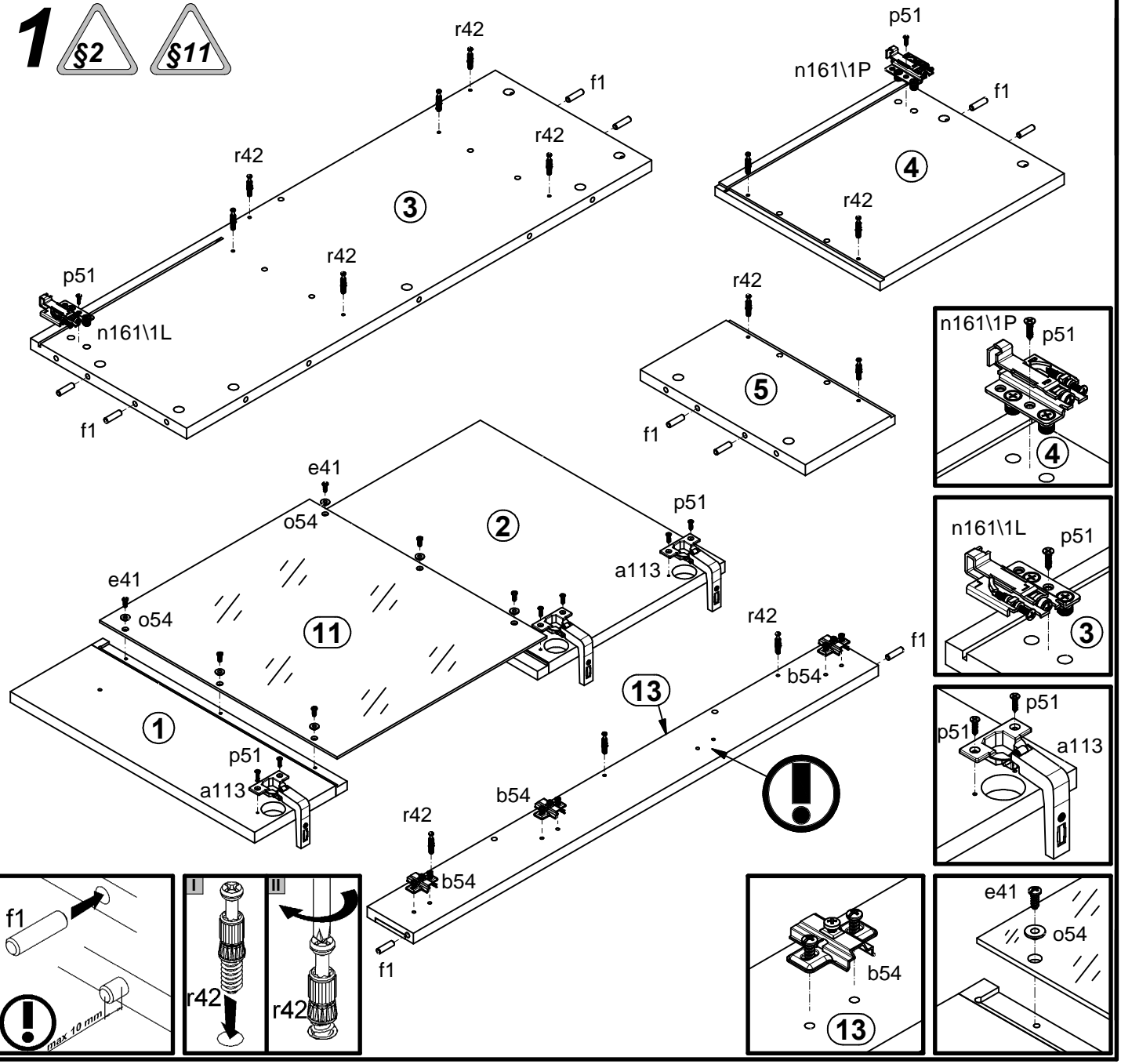
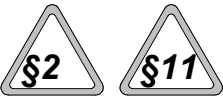
S181-SFW1WL

A	B	C	D	
1	S181-006	496	188	5/5
2	S181-007	496	380	5/5
3	S181-109	944	317	1/5
4	S181-110	374	335	2/5
5	S181-111	182	335	2/5
6	S181-204	578	336	2/5
7	S181-207	578	336	2/5
8	S181-306	538	331	2/5
9	S181-308	538	312	2/5
10	S181-402	570	538	5/5
11	S181-504	482	426	3/5
12	S181-505	405	335	4/5
13	S181-507	944	94	1/5
14	S181-909	361	547	1/5
15	qc11\1	LED		2/5

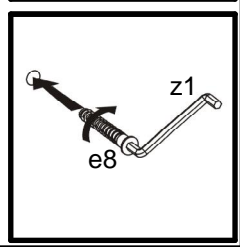
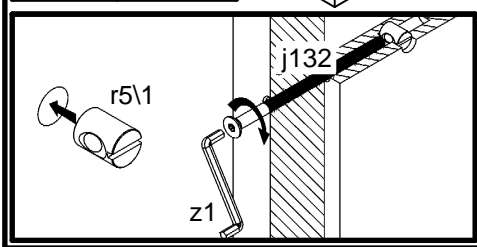
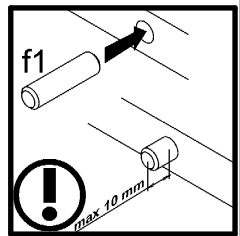
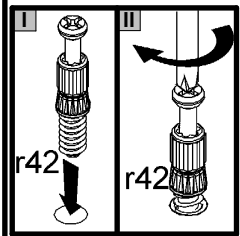
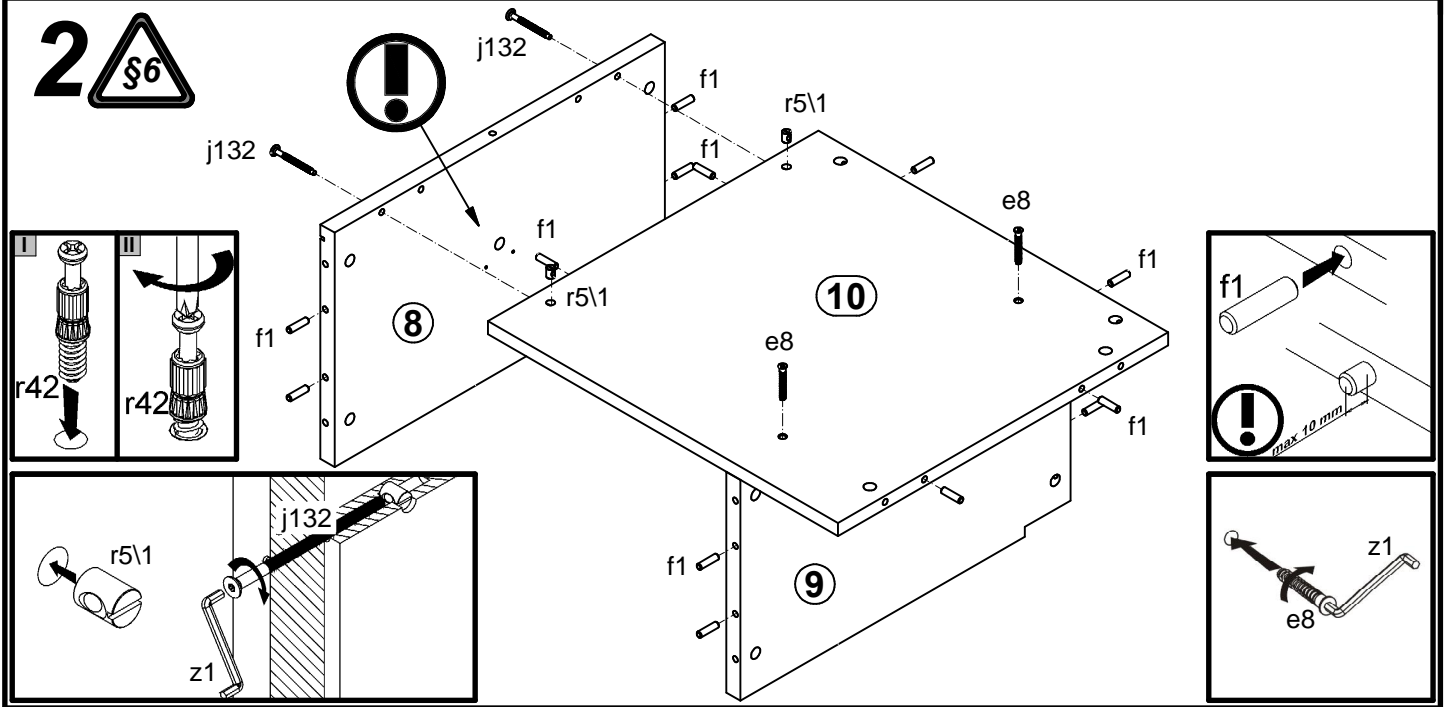


3x a113	3x b54	1x c352	2x e8 Ø7x60 mm	6x e41 Ø5x12 mm	26x f1 Ø8x30 mm	2x f35 Ø10x50 mm	2x j132 M6x65 mm	2x j8 M4x25 mm	
1x n161\1L	1x n161\1P	1x n161\2L	1x n161\2P	6x o54 Ø5,3/Ø8,3x4,8 mm	2x p127 Ø6x60 mm	8x p51 Ø3,5x15 mm	23x r1 Ø15x12 mm #16	23x r42	
2x r51 Ø10x13 mm	19x s68 Ø20mm	1x z1							

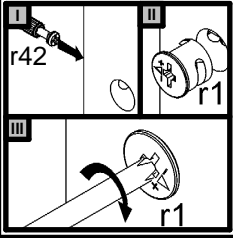
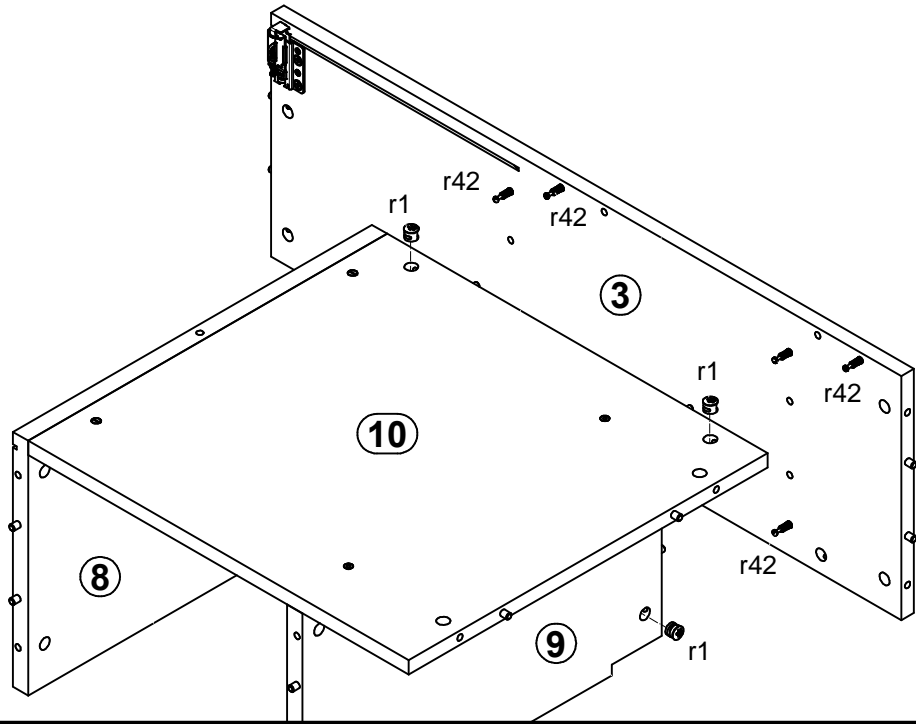
1



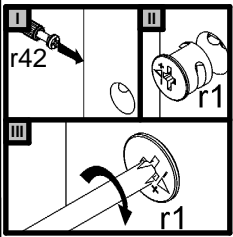
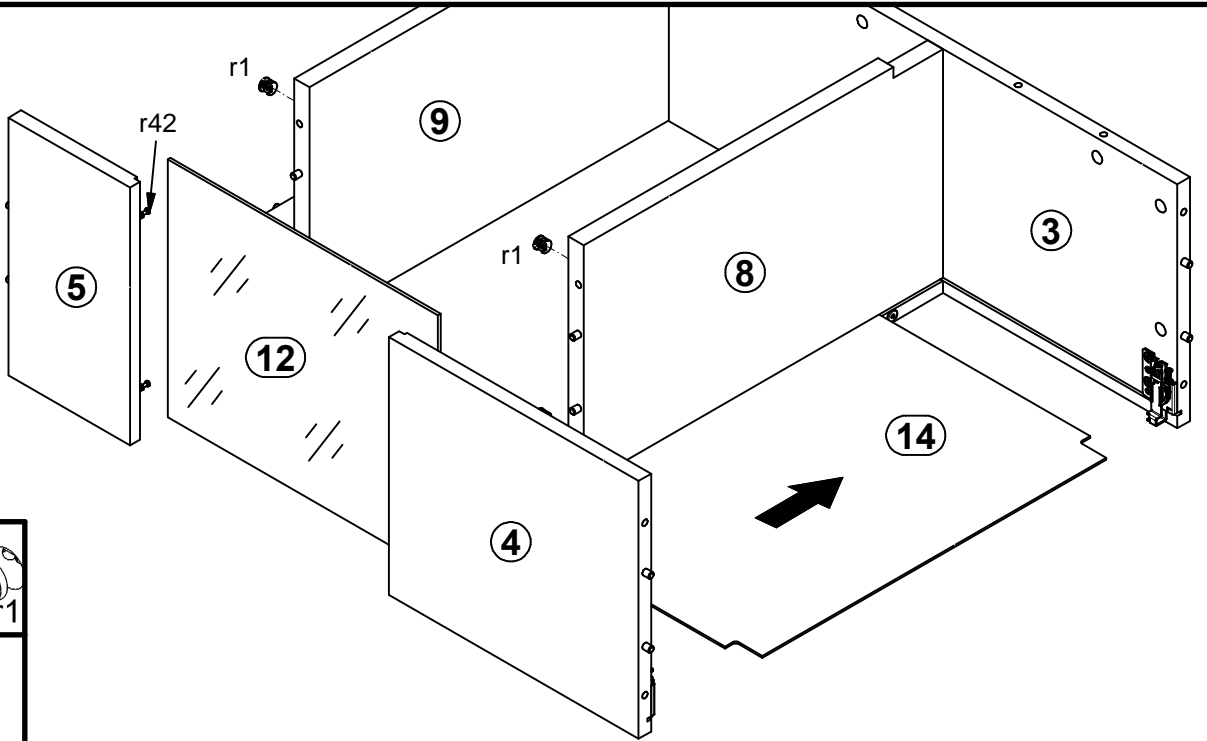
2



3 

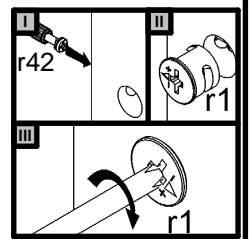
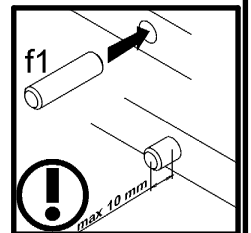
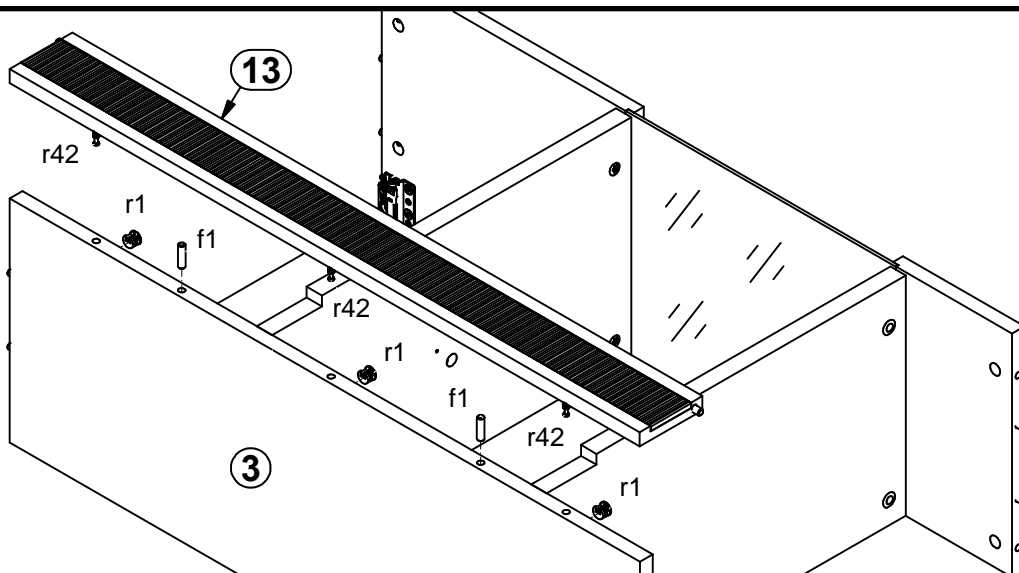


4 

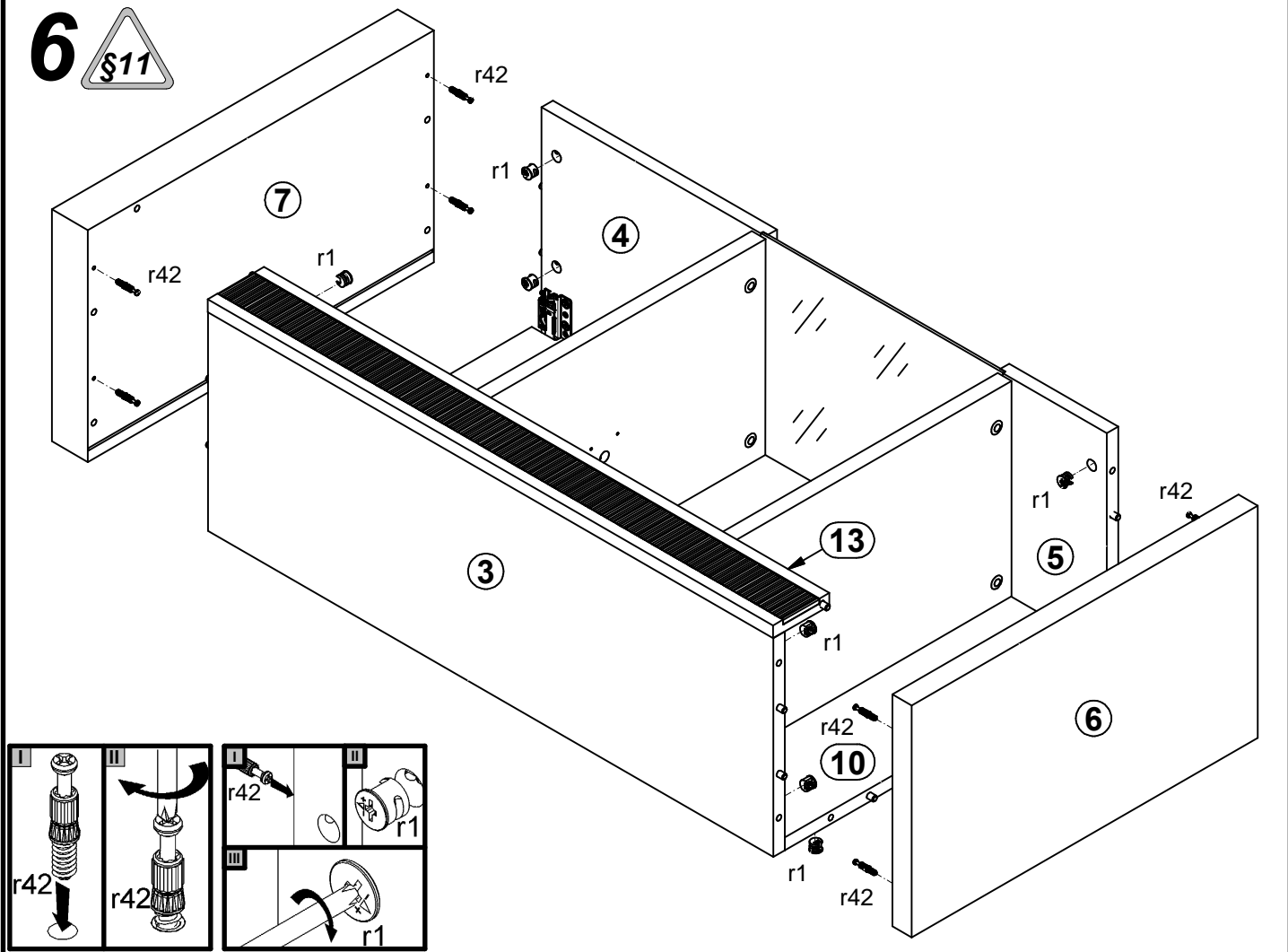


5

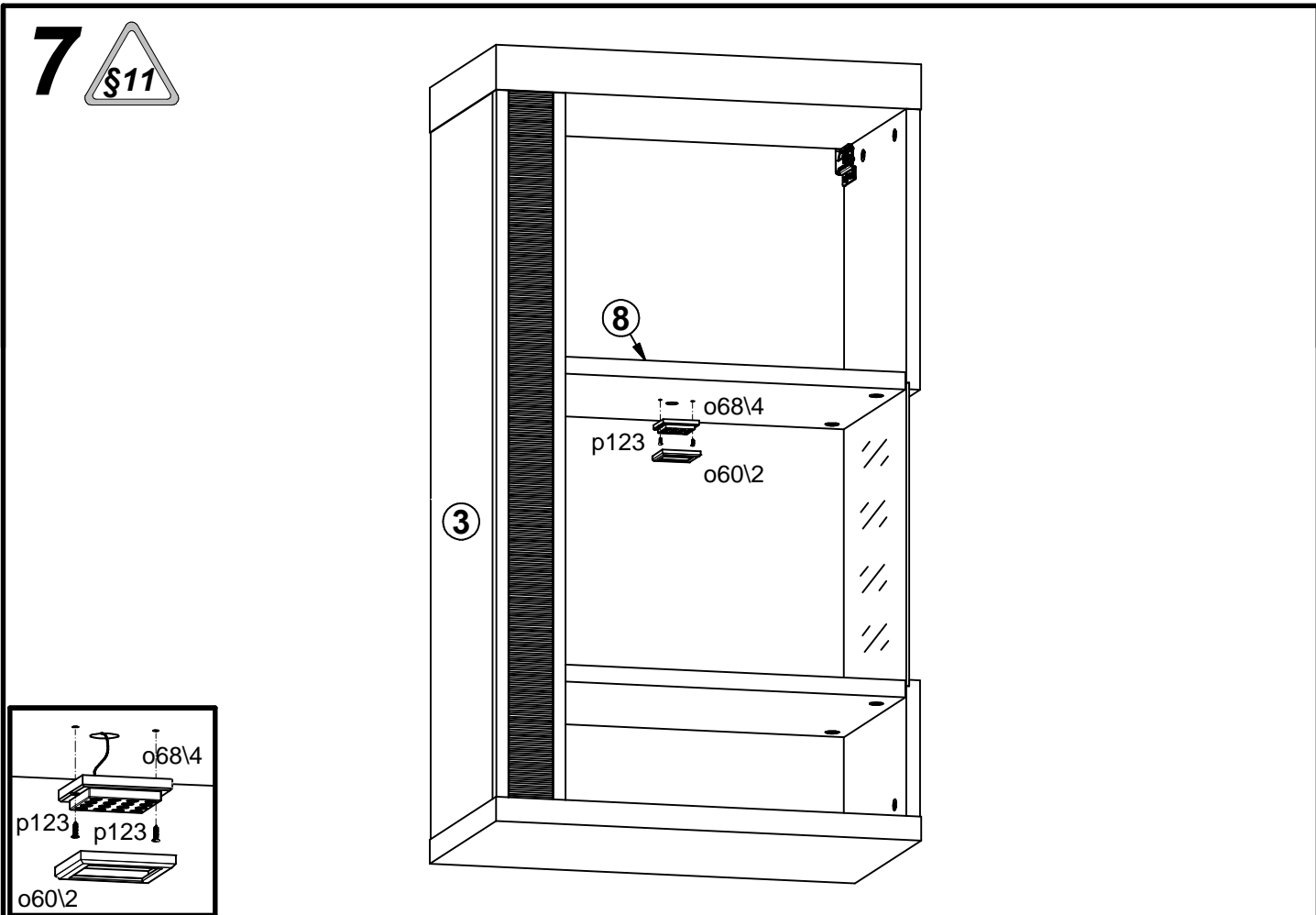




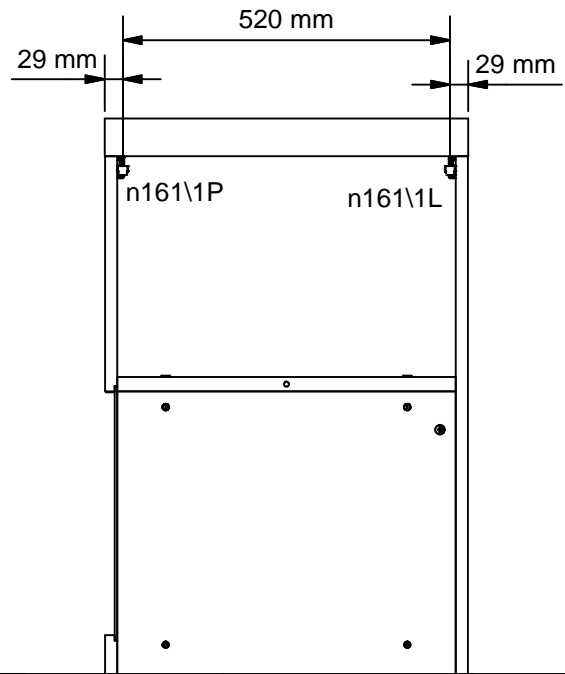
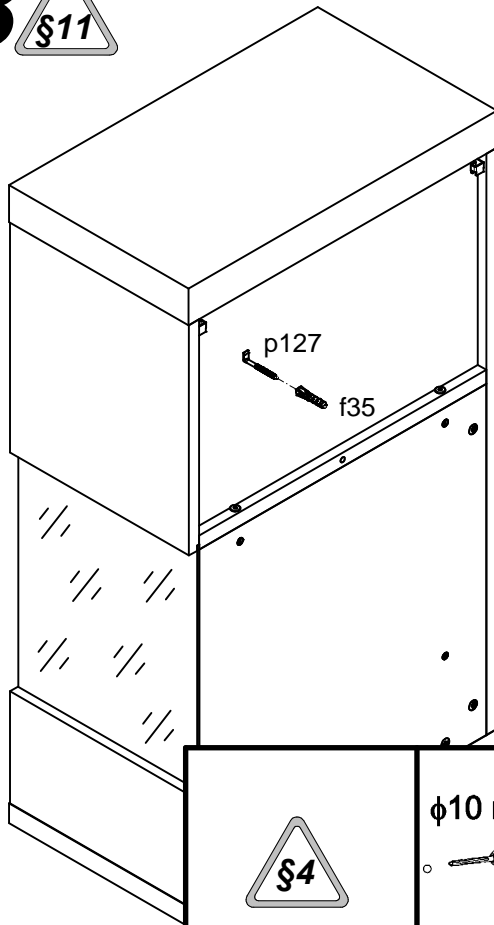
6



7

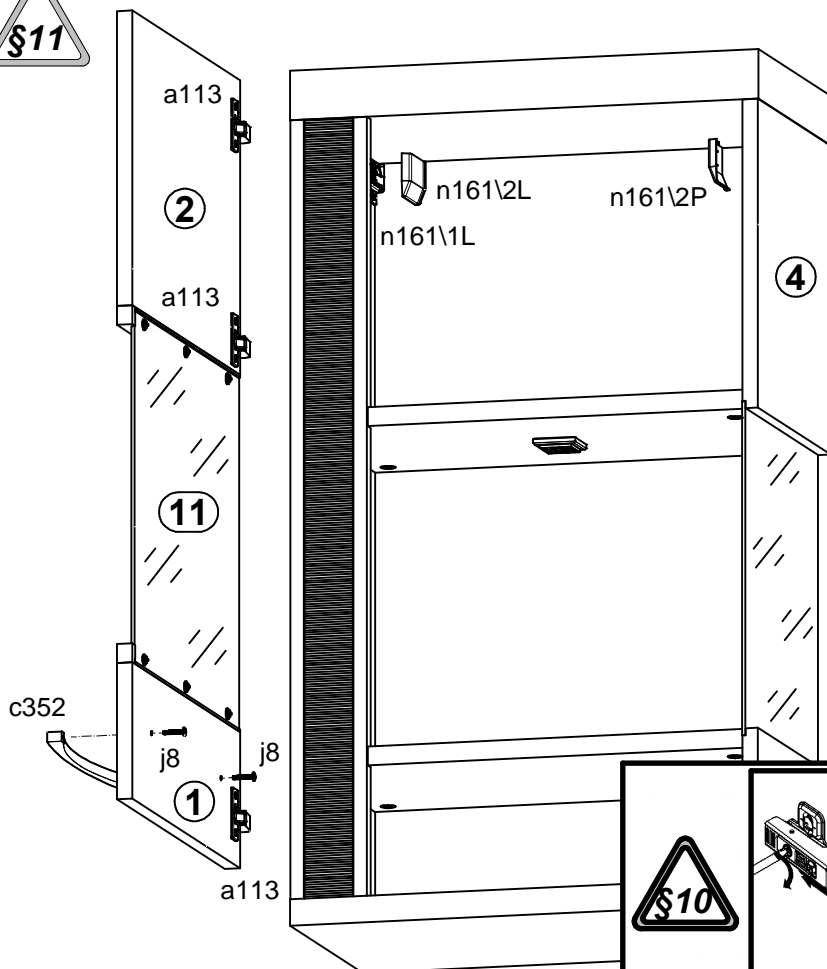


8 §11



	<p>φ10 mm</p>			
I	II	III	IV	

9 §11



<p>s68</p>		