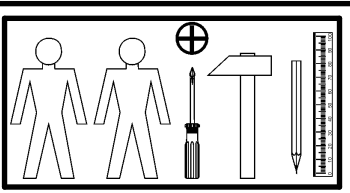
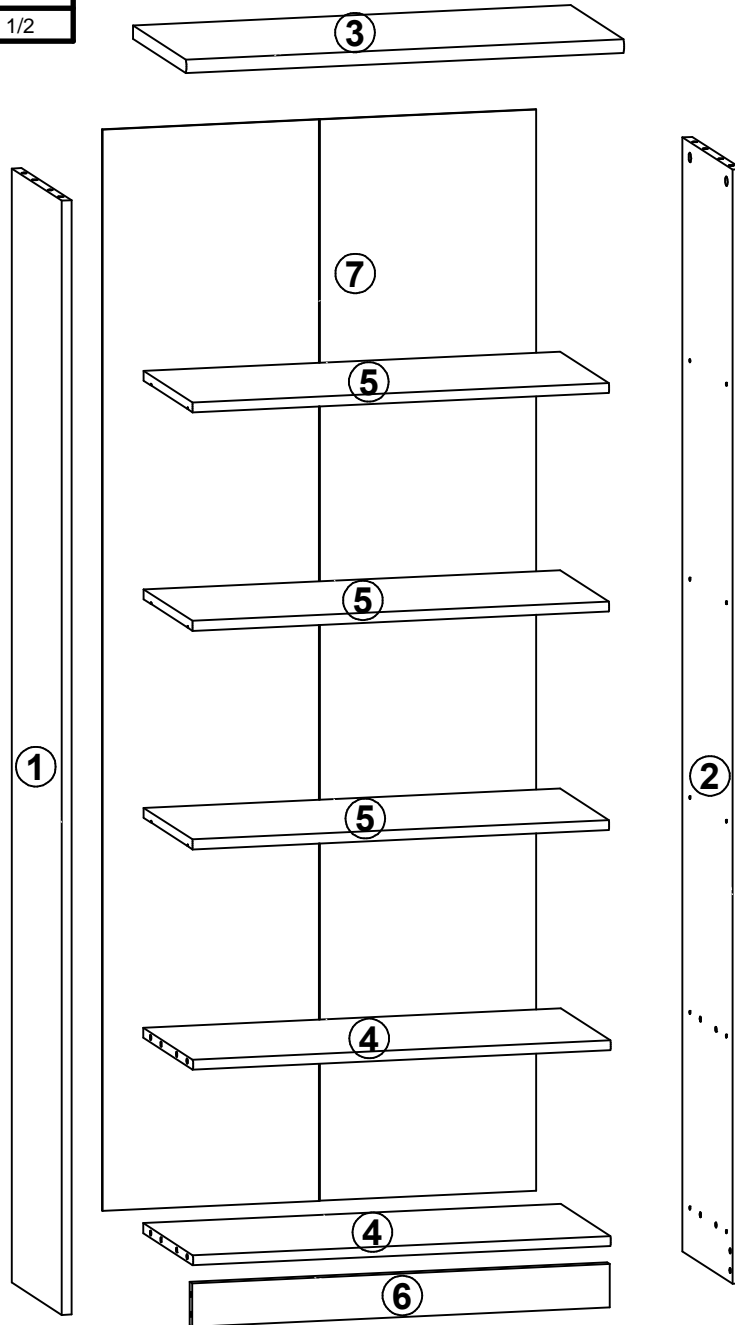
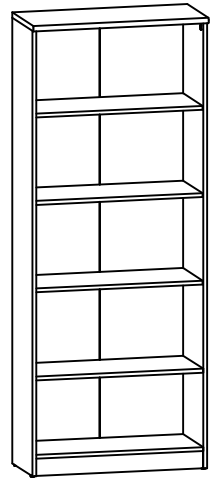
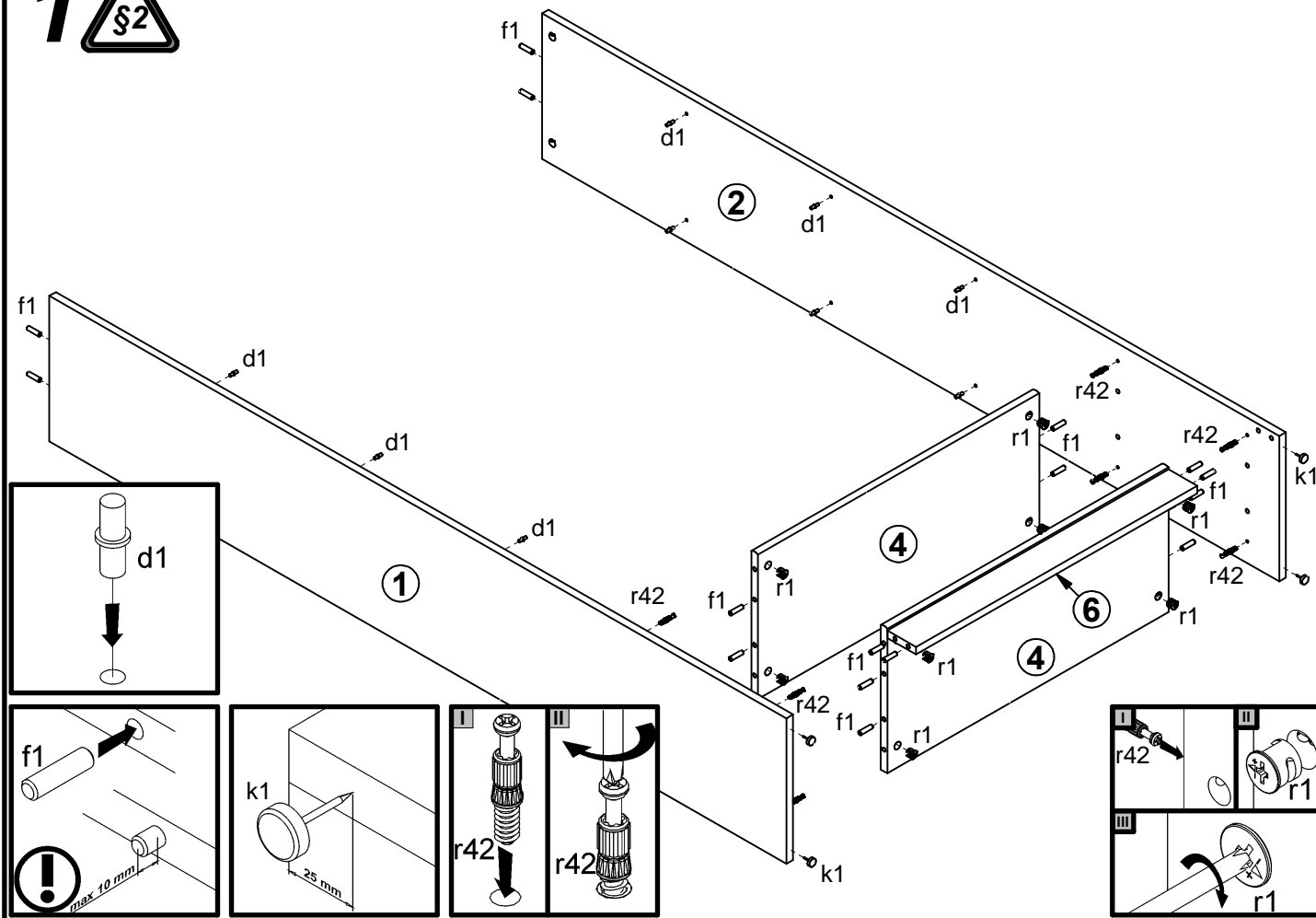


A	B	C	D
1	S93-134	1800	307
2	S93-135	1800	307
3	S93-202	720	327
4	S93-324	687	307
5	S93-325	685	301
6	S93-412	687	70
7	S93-920	1747	713

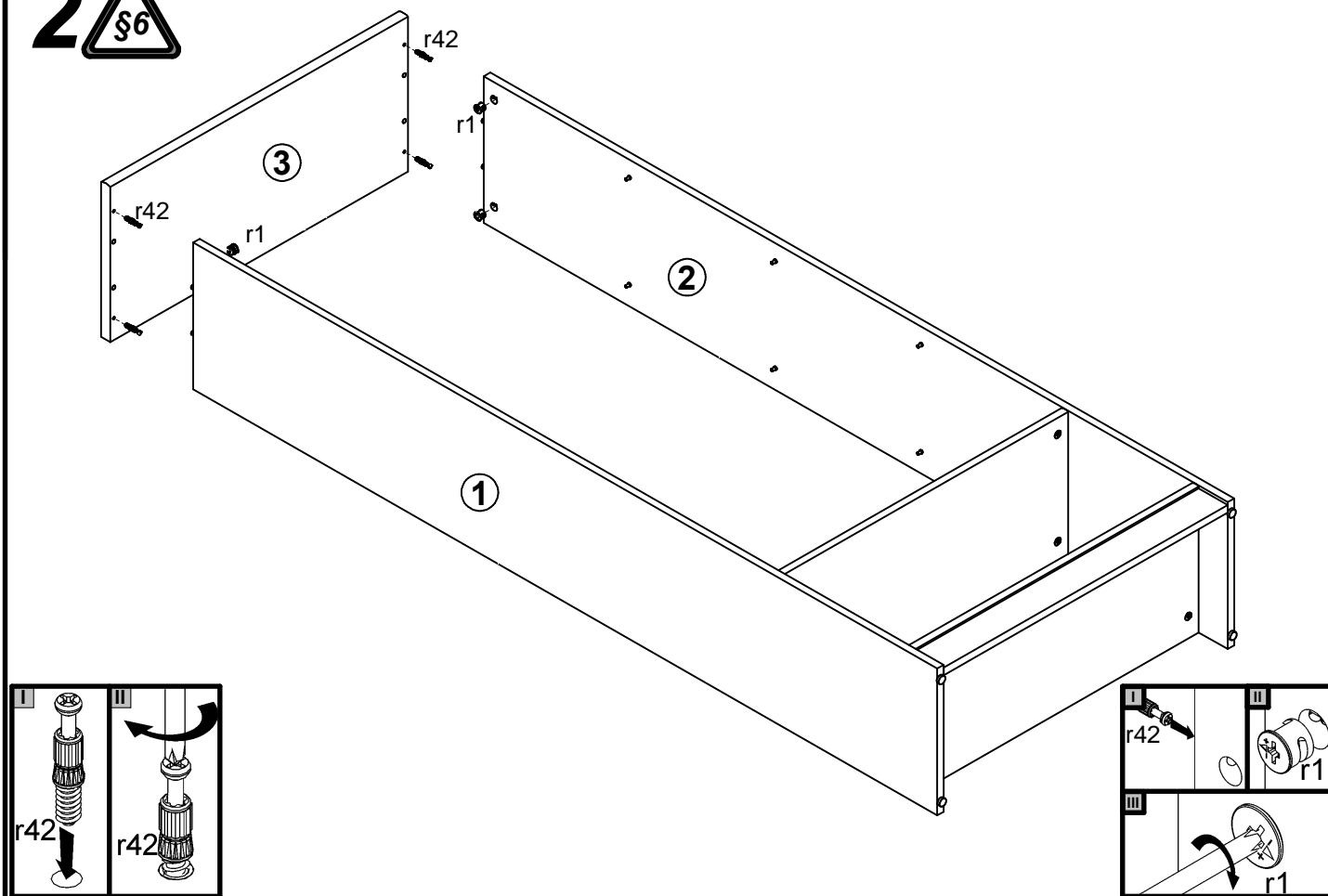


12x φ5x17 mm d1	16x φ8x30 mm f1	4x k1	60x l1	12x φ15x12mm #16 r1	12x r42	4x ø16 s2	1x n26\1	1x φ3,5x16 mm p38
-----------------------	-----------------------	----------	-----------	---------------------------	------------	-----------------	-------------	-------------------------

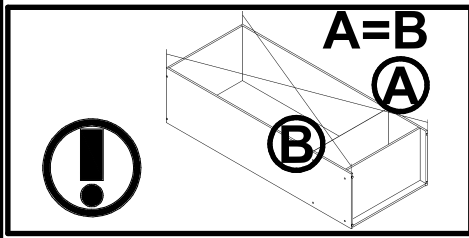
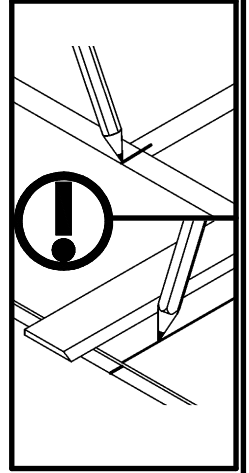
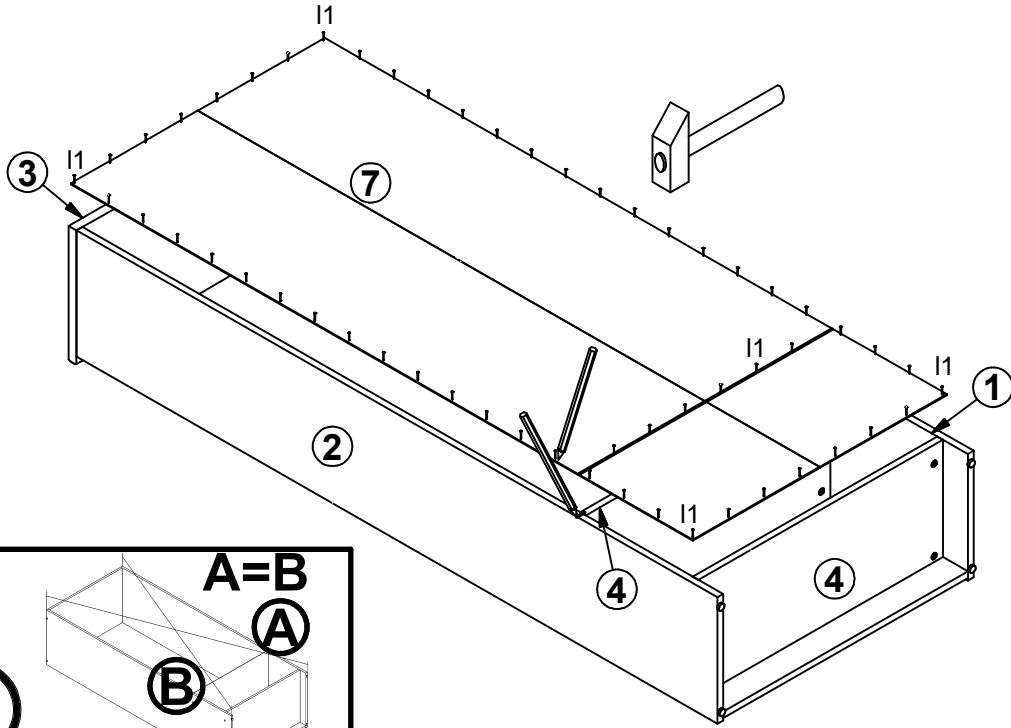
1



2



3



4

