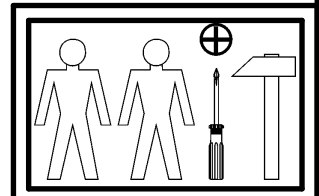
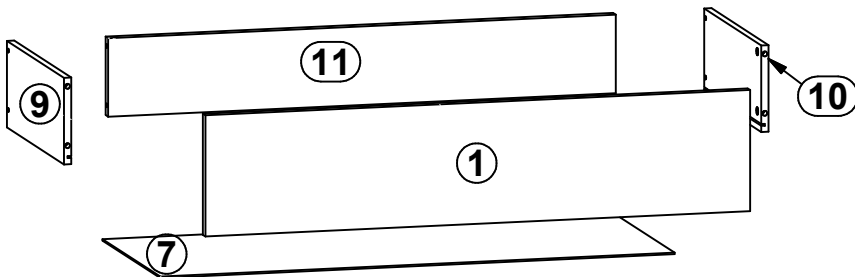
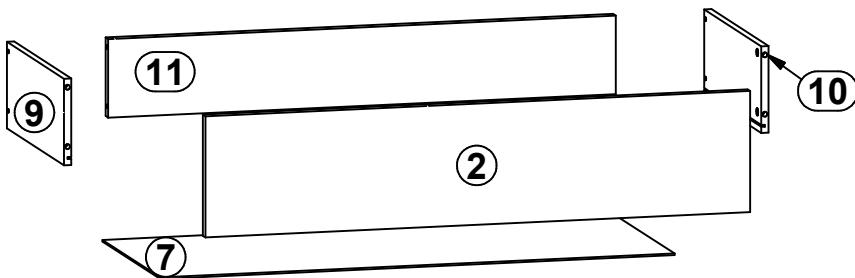
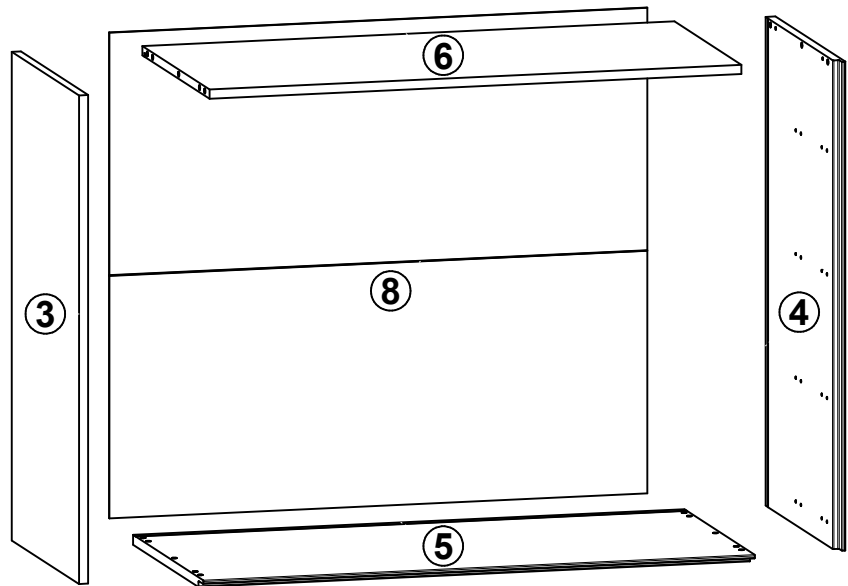
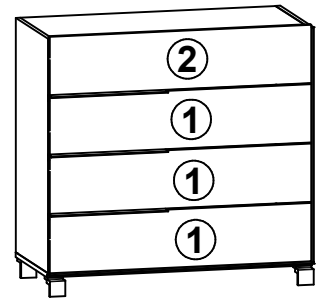
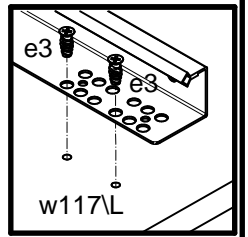
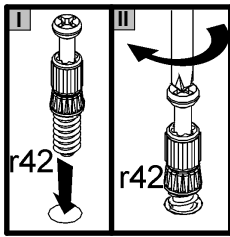
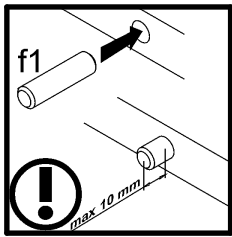
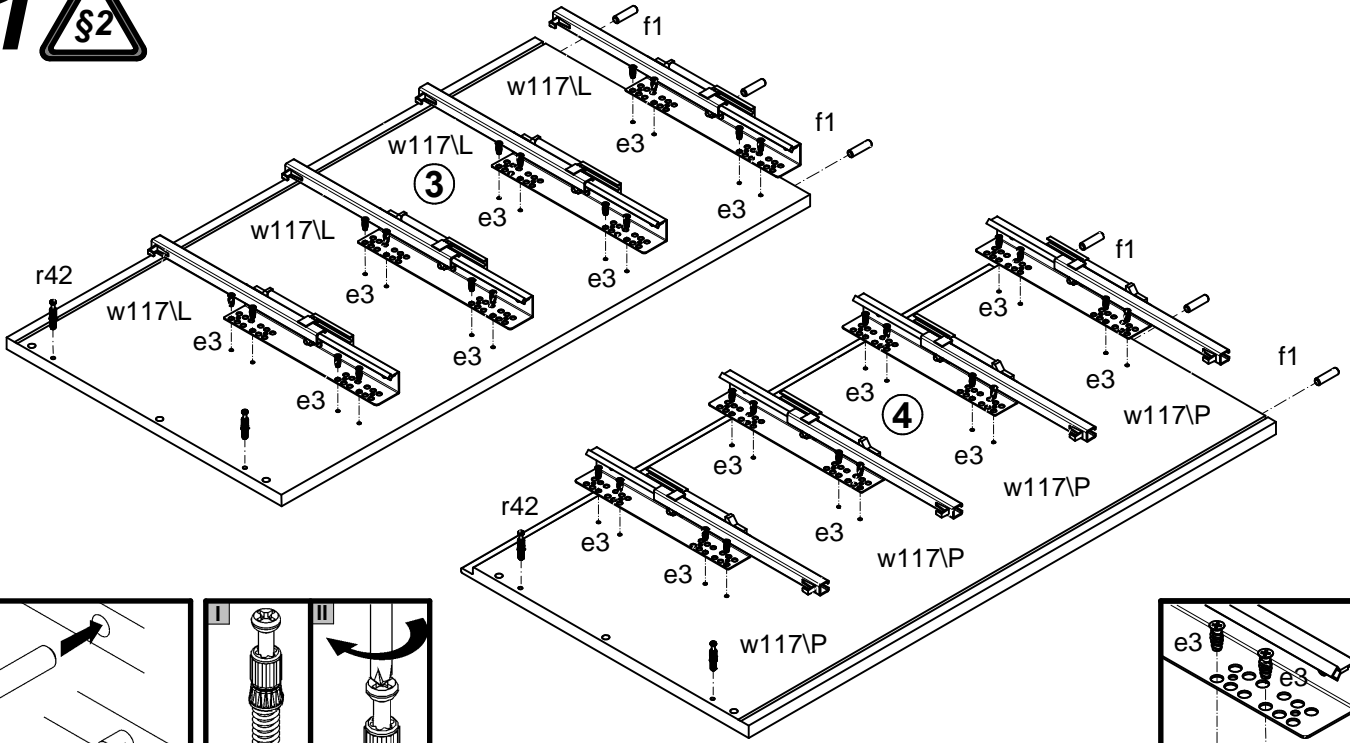


A	B	C	D	
1	S312-001	896	196	3/3
2	S312-003	896	196	3/3
3	S312-101	790	413	1/3
4	S312-104	790	431	1/3
5	S312-208	907	432	1/3
6	S312-314	875	412	1/3
7	S312-902	846	355	1/3
8	S312-914	885	785	1/3
9	ZQ2-505	350	140	1/3
10	ZQ2-506	350	140	1/3
11	ZQ2-508	835	127	1/3

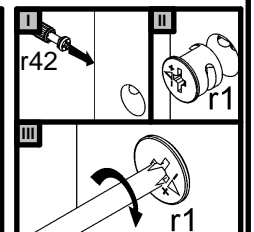
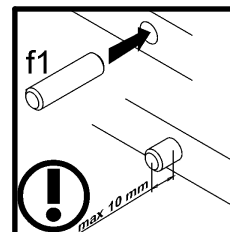
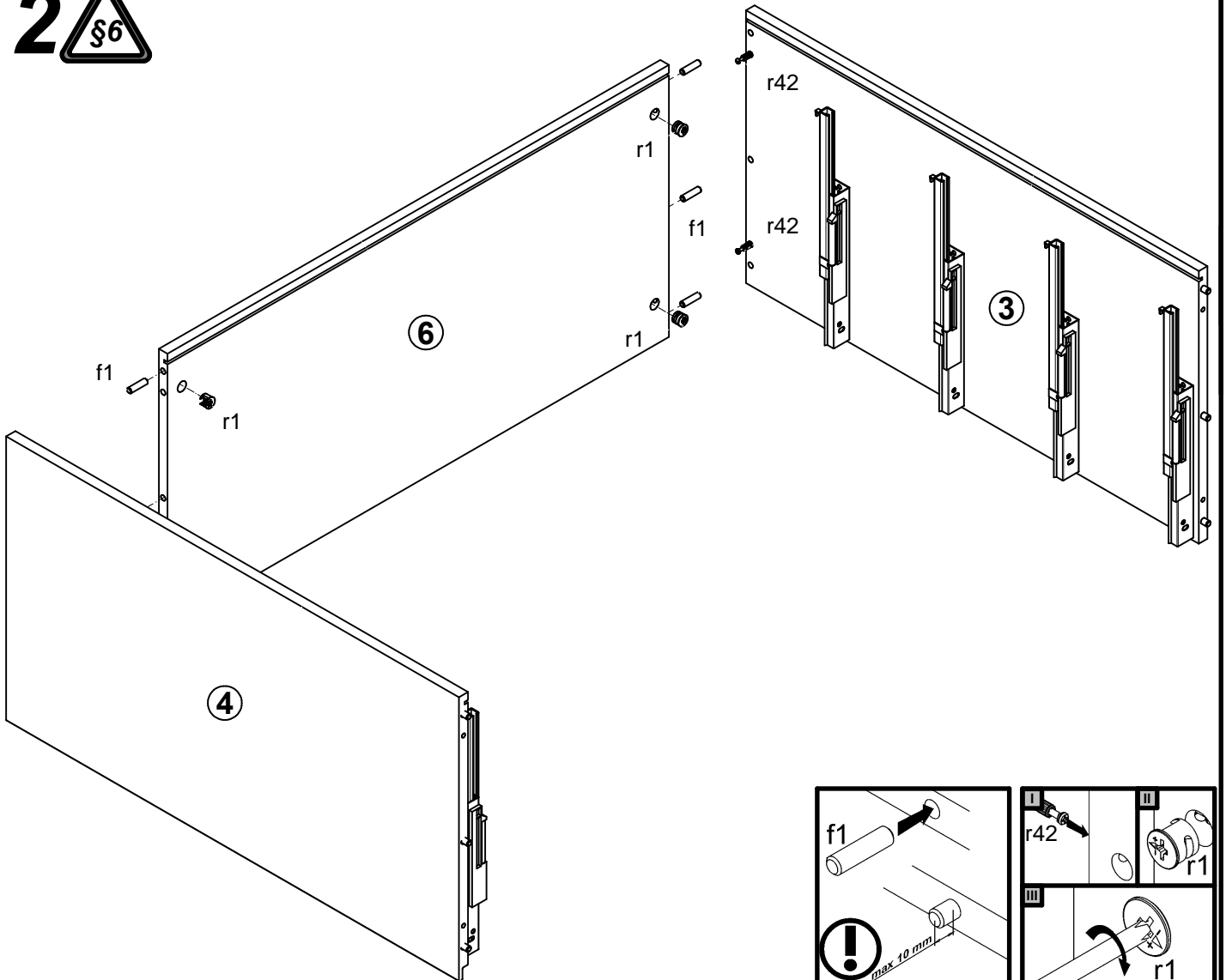


3x 320mm c397\2	4x Ø7x50 mm e1	32x Ø6x13 mm e3	16x Ø6x22 mm e31	12x Ø8x30 mm f1	16x Ø6.5x40 mm f25	2x k95\1	2x k95\2	16x i2
4x Ø3.5x16 mm p25	4x Ø3.5x10 mm p35	32x Ø3.5x16 mm p38	9x Ø3.5x16 mm p61	4x Ø15x12 mm #16 r1	16x Ø12x10.5 mm #12 r15	20x r42	4x 350 mm t35	4x 350 mm W117\L
4x 350 mm W117\P	1x n26\1	1x Ø3.5x16 mm p38	1x z1					

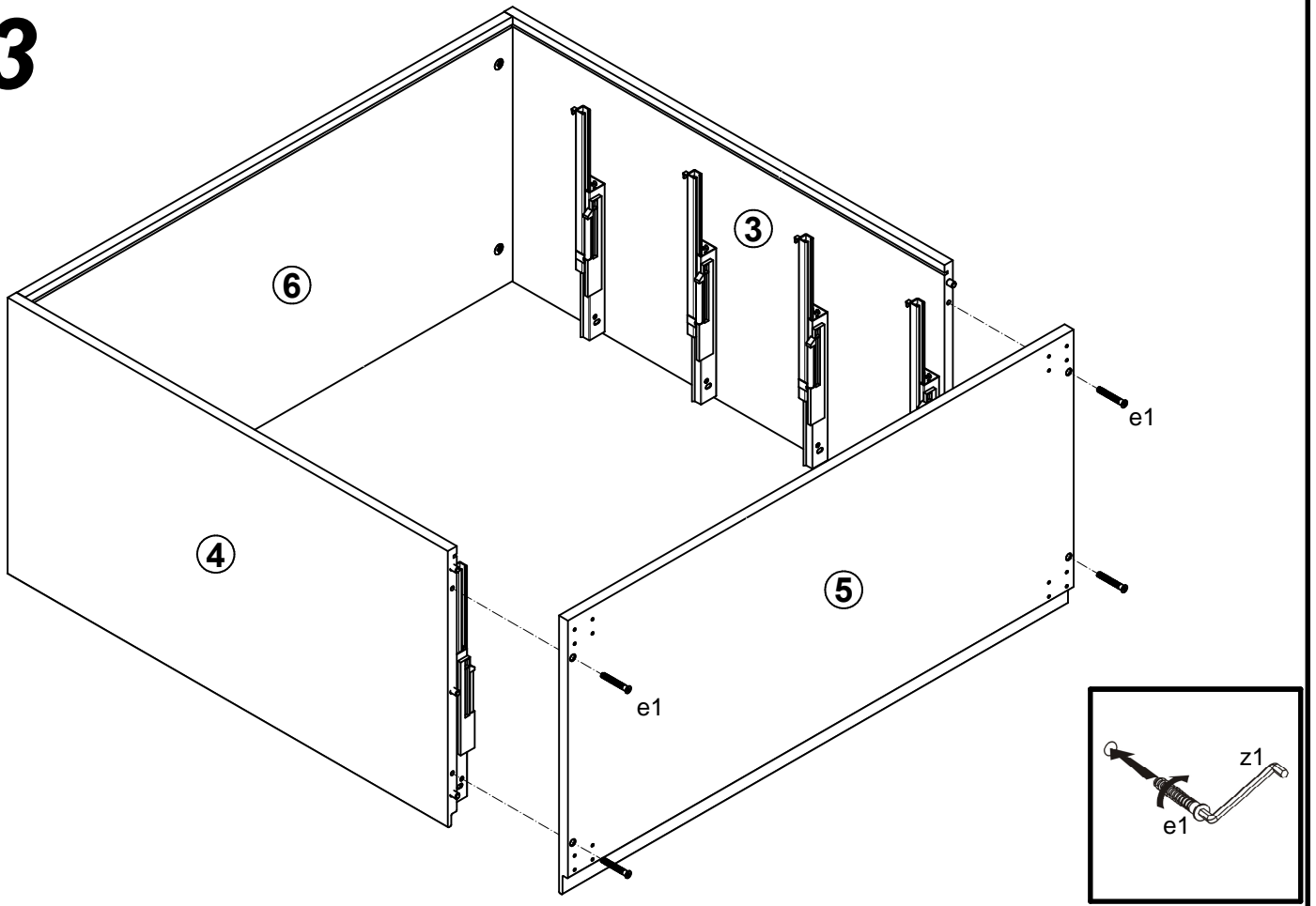
# 1



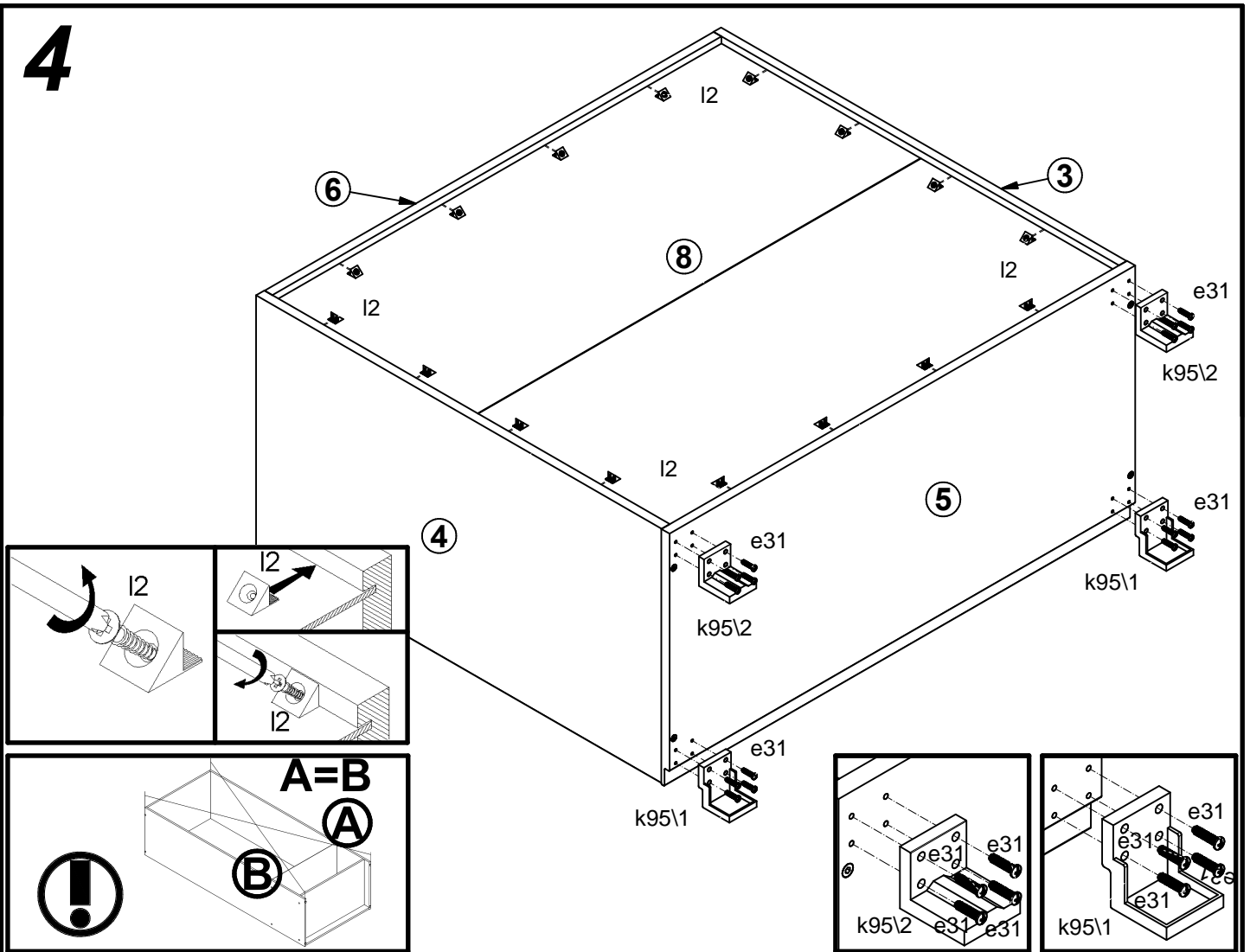
# 2



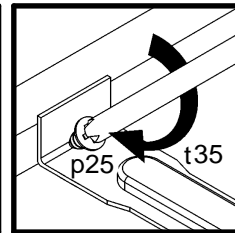
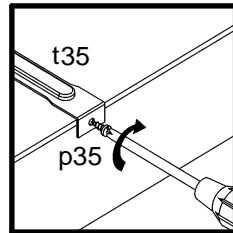
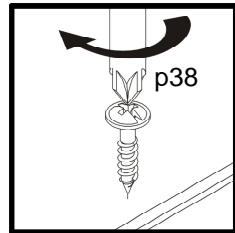
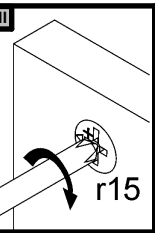
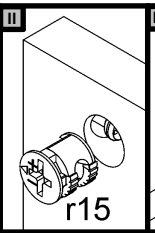
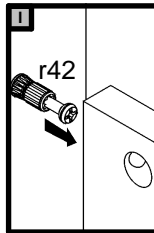
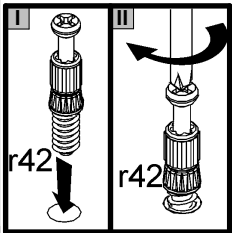
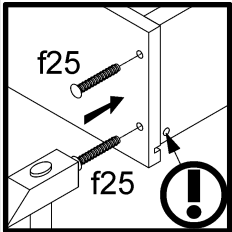
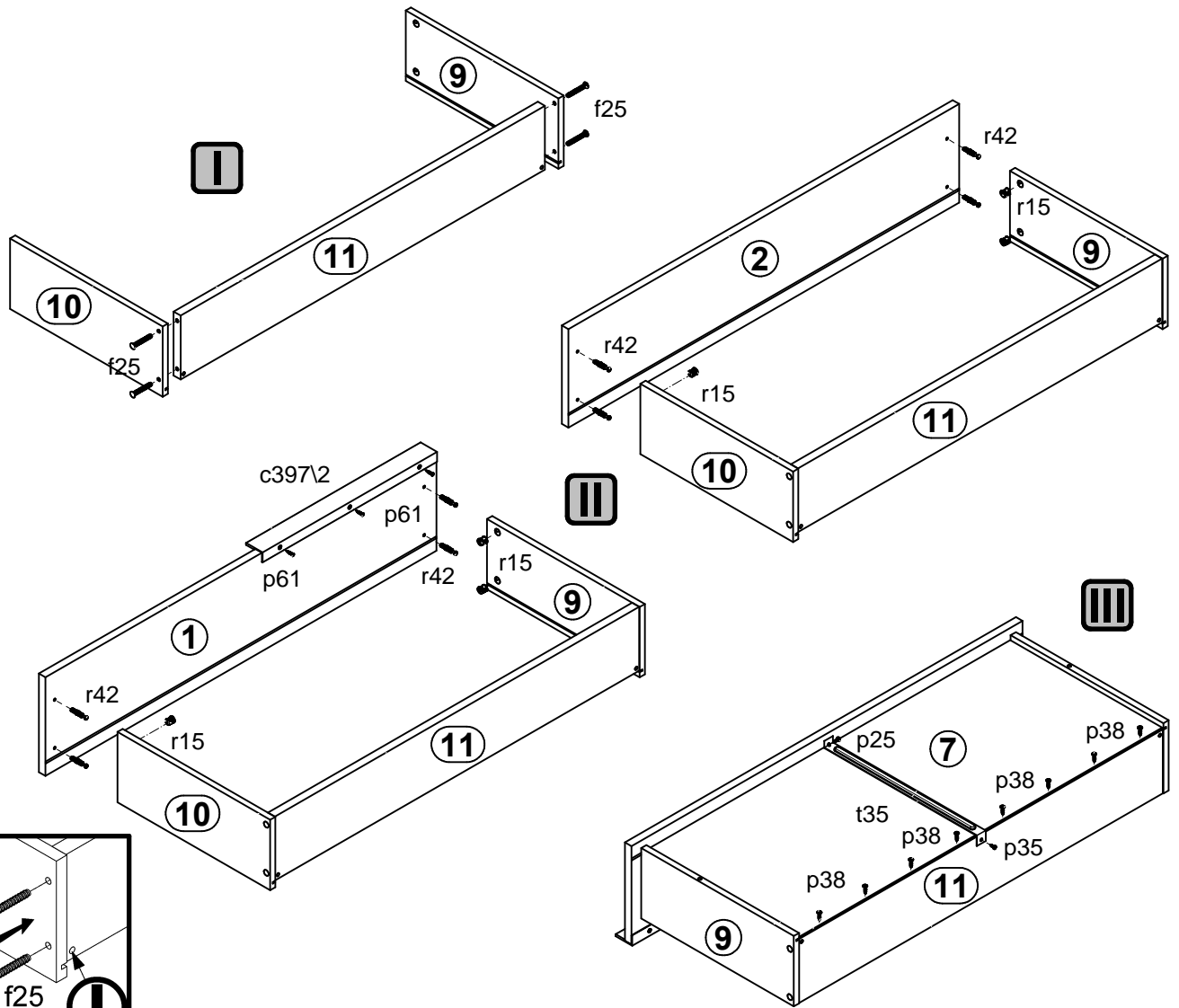
# 3



# 4



# 5



# 6

