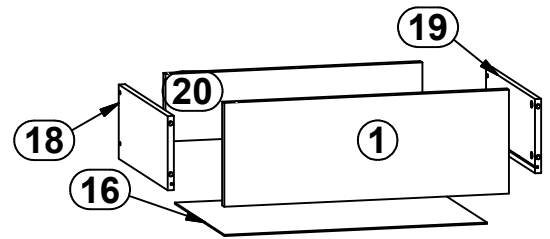
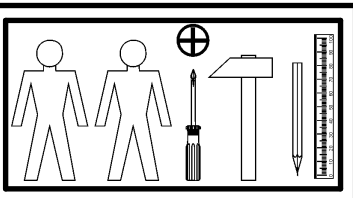
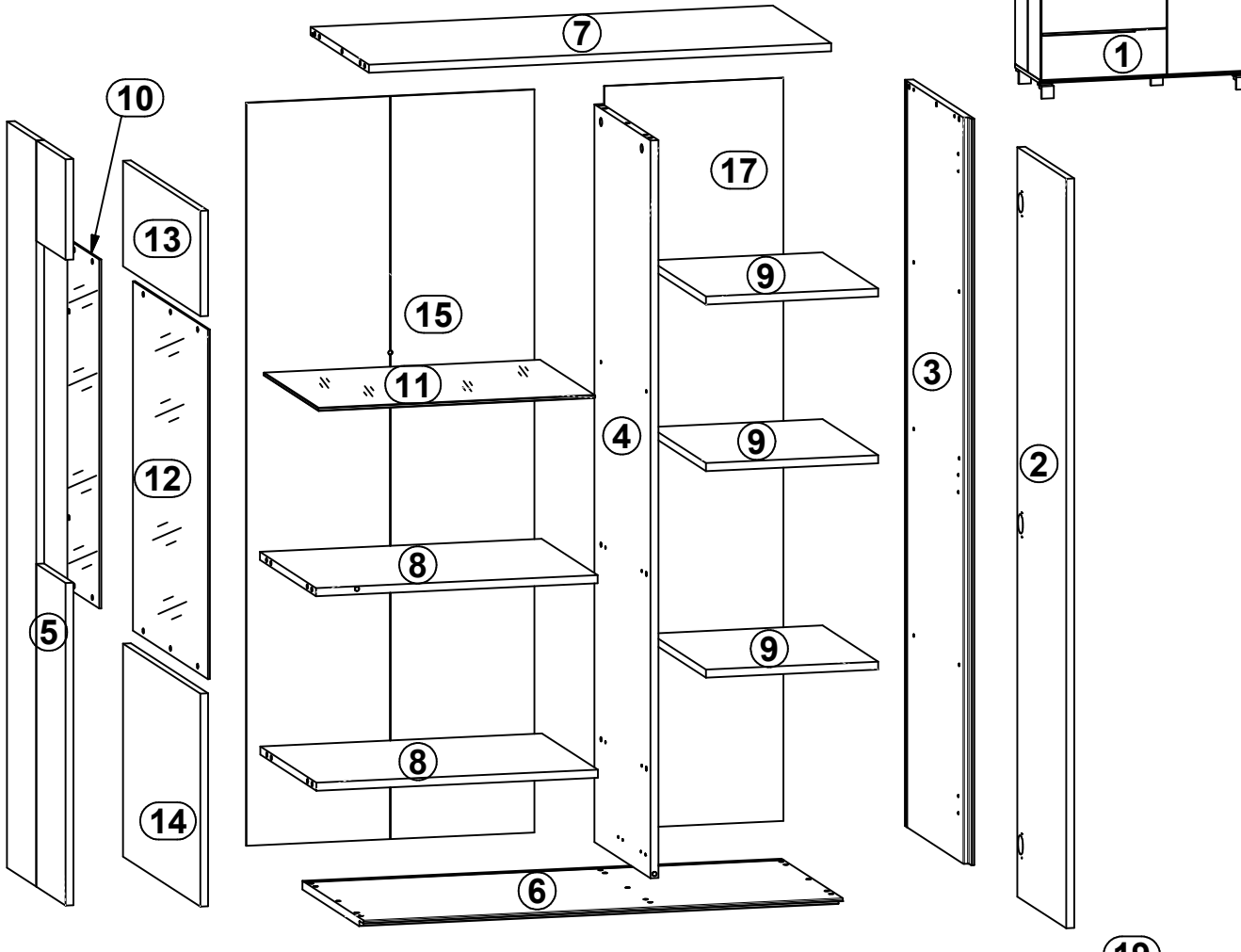
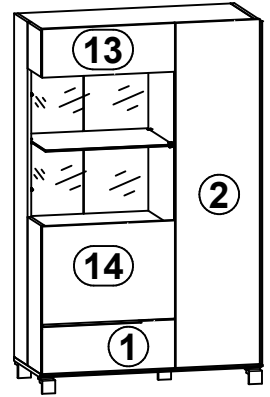


A

LEJLA

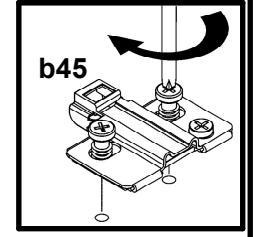
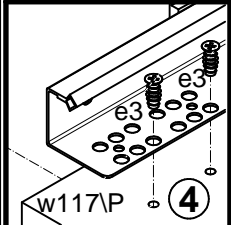
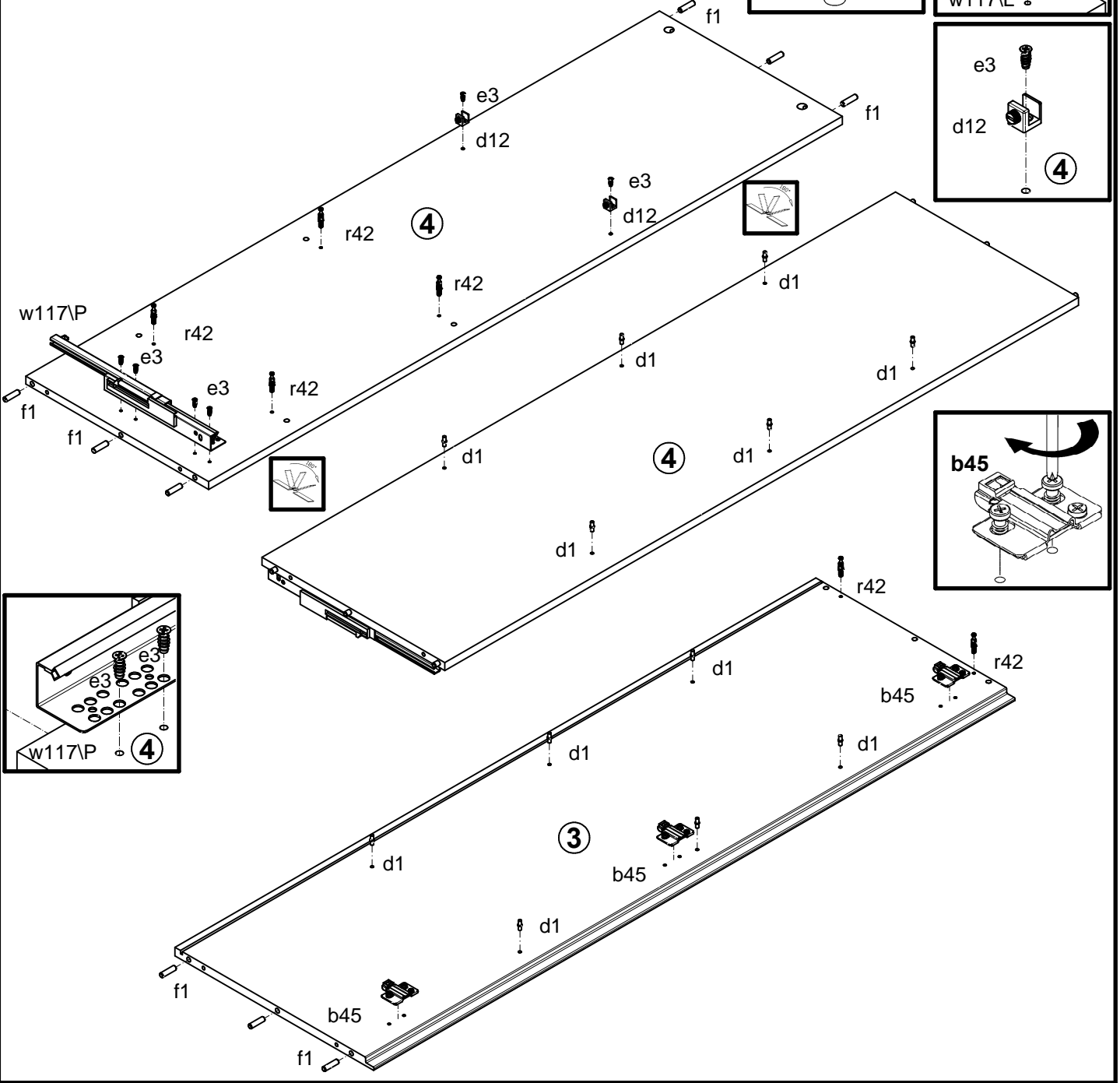
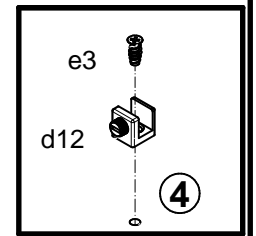
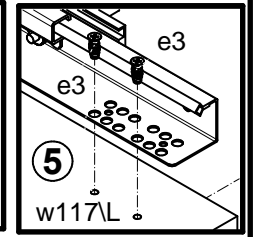
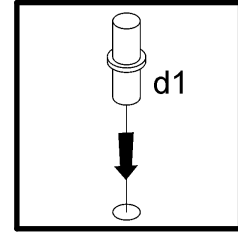
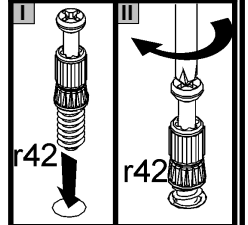
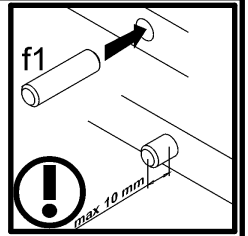
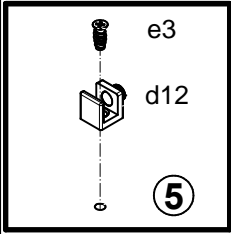
S312-REG1W1D1S

A	B	C	D	A	B	C	D		
1	S312-010	546	196	6/7	11	S312-506	524	387	4/7
2	S312-011	1394	346	7/7	12	S312-507	650	529	3/7
3	S312-114	1388	431	1/7	13	S312-712	196	546	6/7
4	S312-115	1372	396	1/7	14	S312-713	396	546	6/7
5	S312-135	1388	413	1/7	15	S312-911	1382	545	1/7
6	S312-206	907	432	1/7	16	S312-912	504	355	1/7
7	S312-311	875	412	1/7	17	S312-913	1382	339	1/7
8	S312-312	533	396	1/7	18	ZQ2-505	350	140	1/7
9	S312-313	326	394	1/7	19	ZQ2-506	350	140	1/7
10	S312-505	649	226	2/7	20	ZQ2-510	493	127	1/7

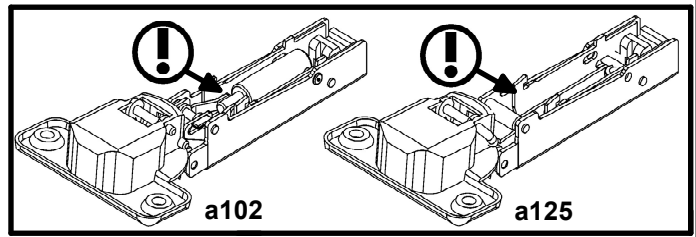
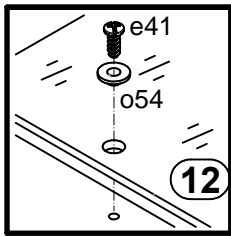
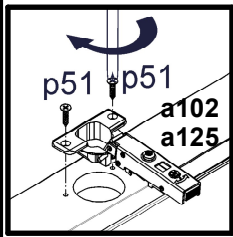
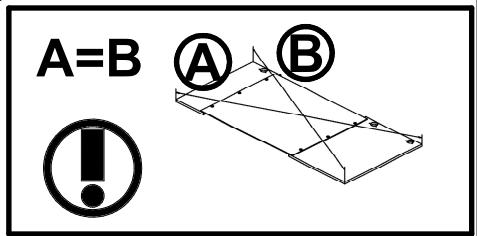
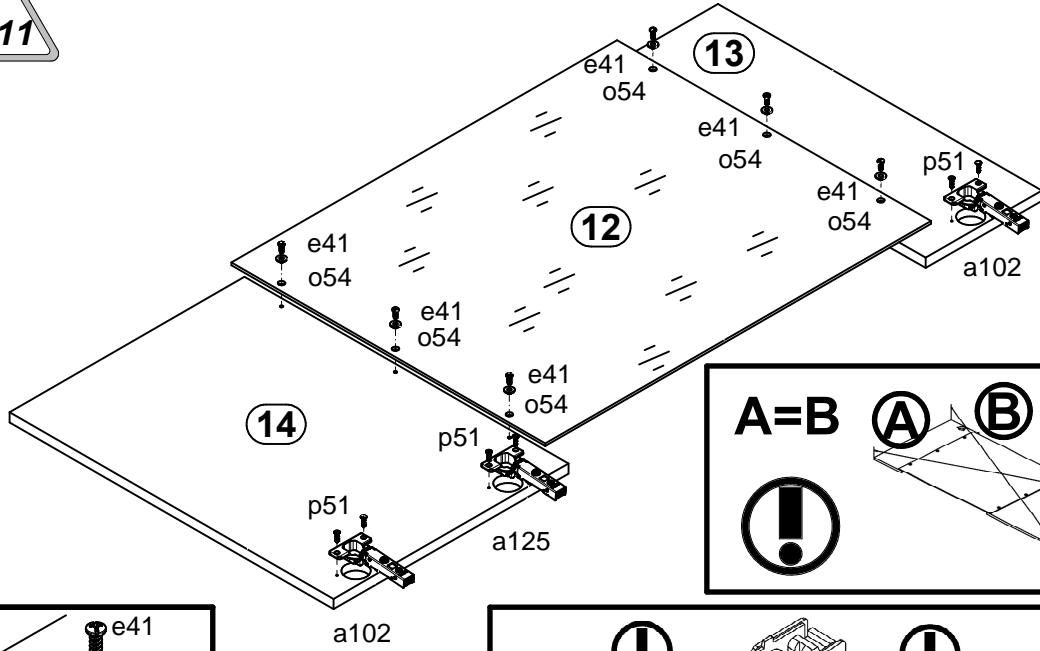


2x a102	2x a103	1x a125	1x a126	6x b45	1x c397/2	12x d1	4x d12	6x e1
12x e3	20x e31	12x e41	26x f1	4x f25	2x k95/1	3x k95/2	30x l1	12x l2
6x silikon o21	1x o43/6	1x o43/8	12x o54	4x p38	12x p51	3x p133	14x r1	
4x r15	18x r42	1x W117/L	1x W117/P	6x s2	1x z1	1x n26/1	1x p38	

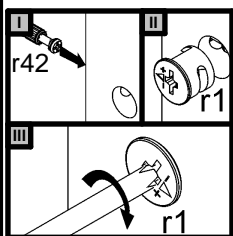
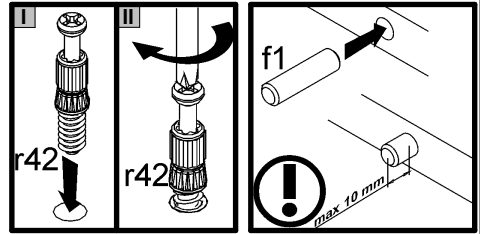
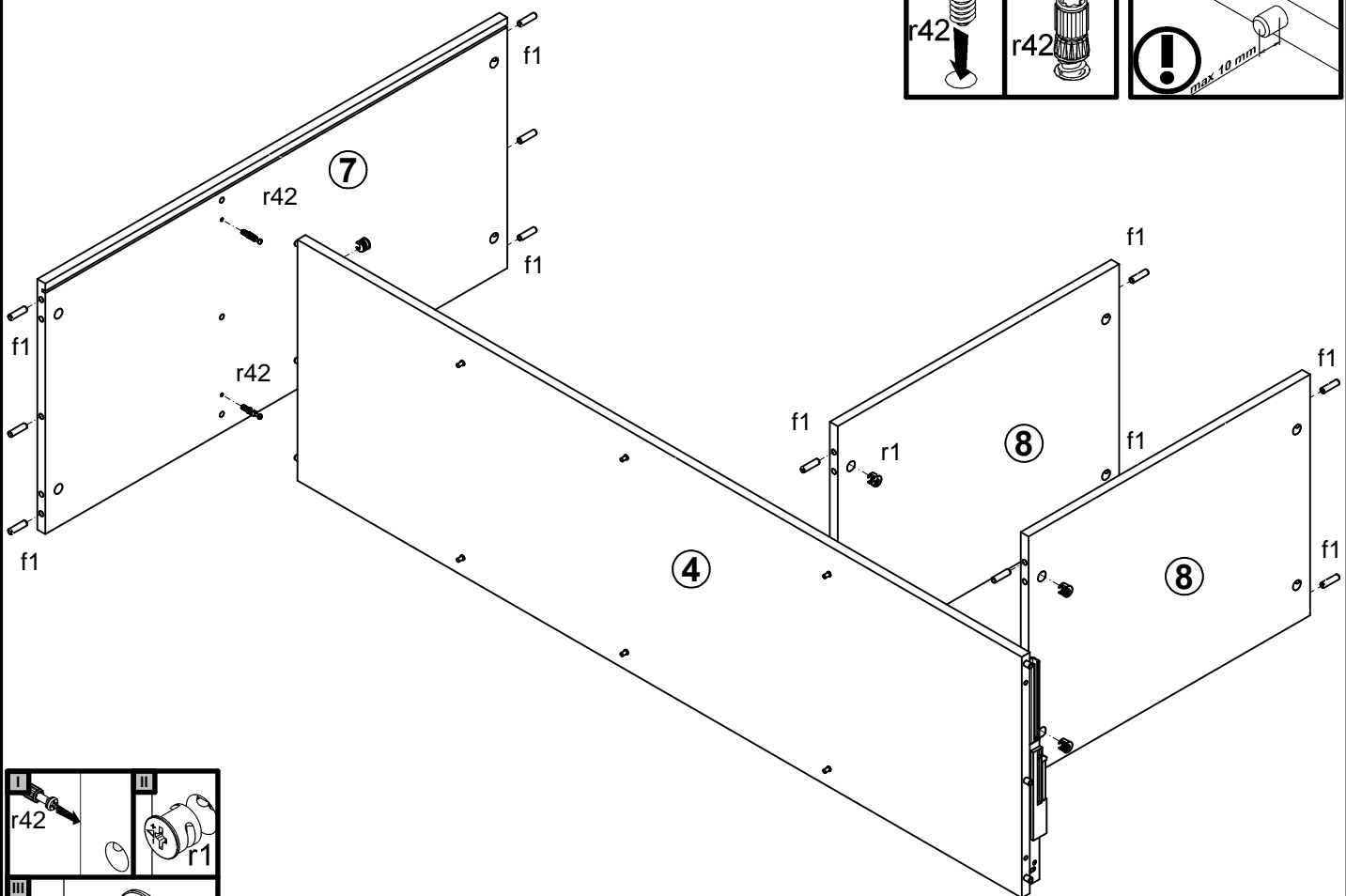
1 

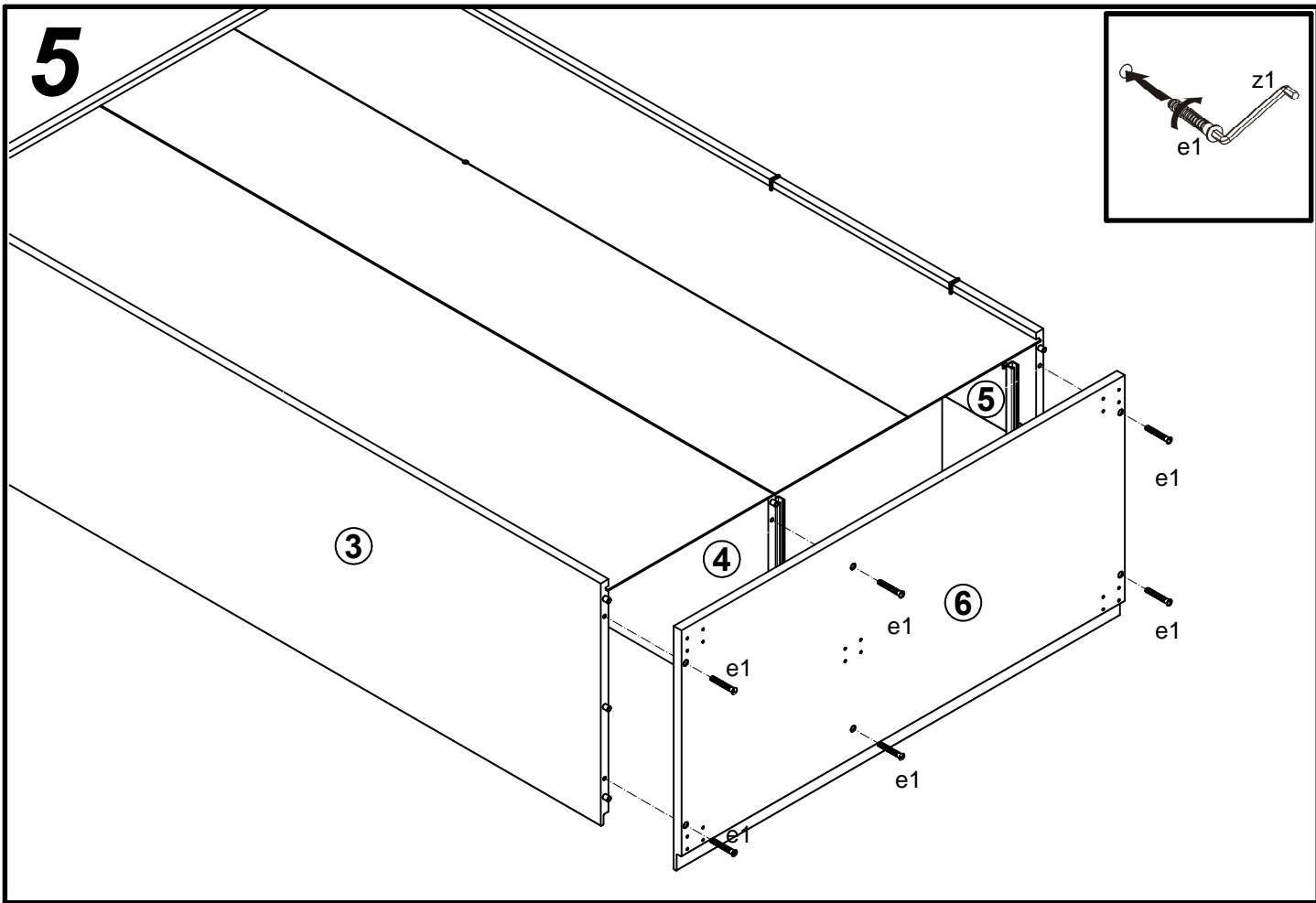
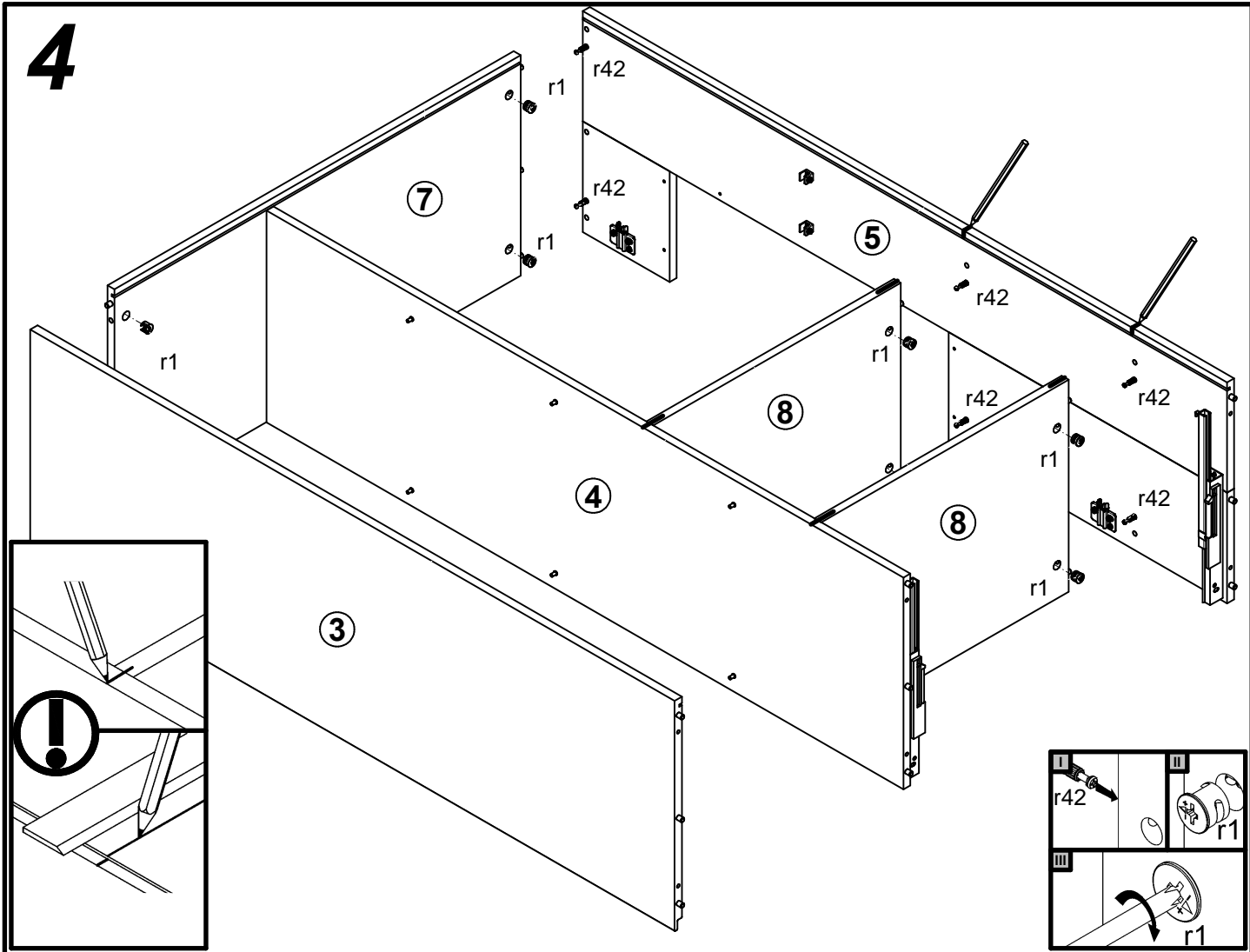


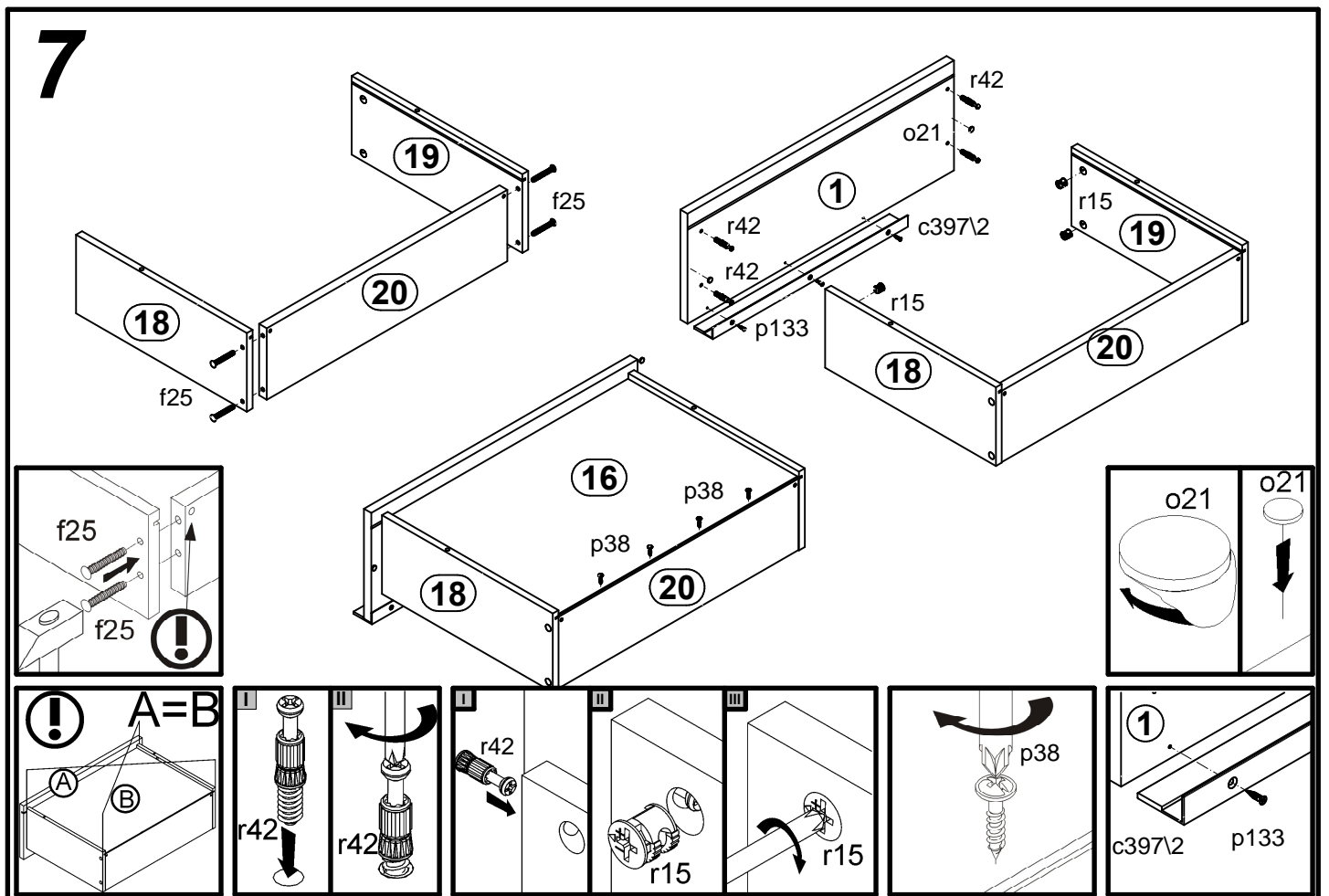
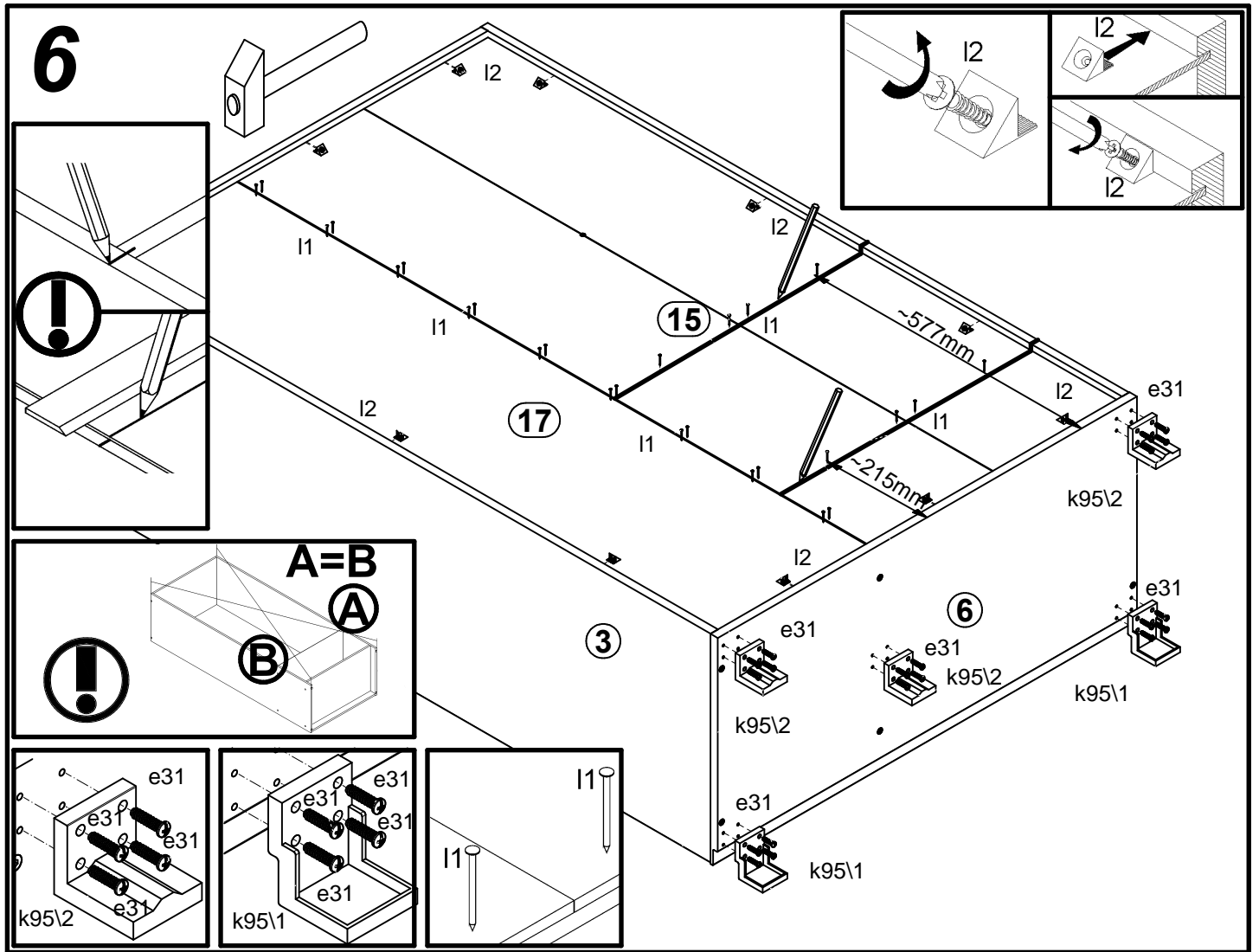
2



3







8 §11

