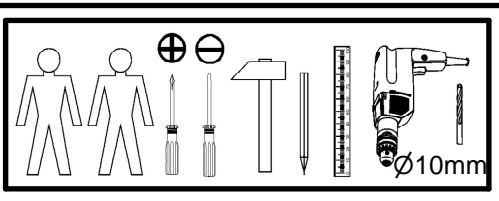
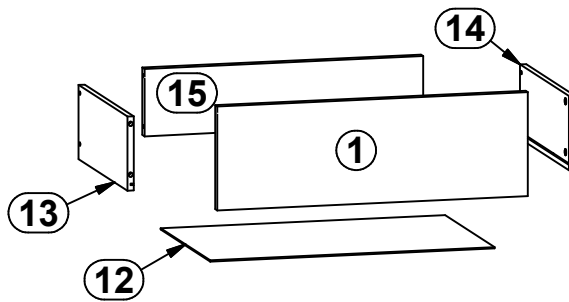
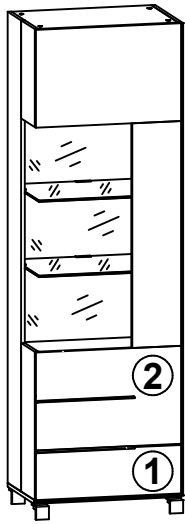
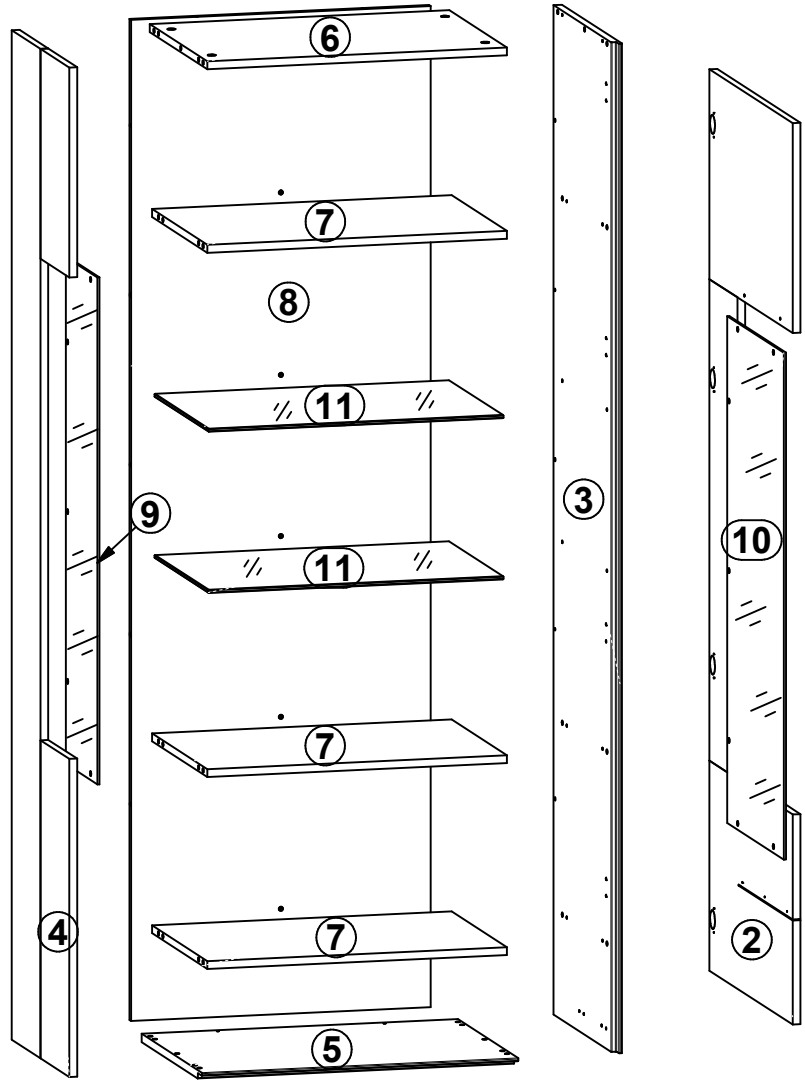


A

LEJLA

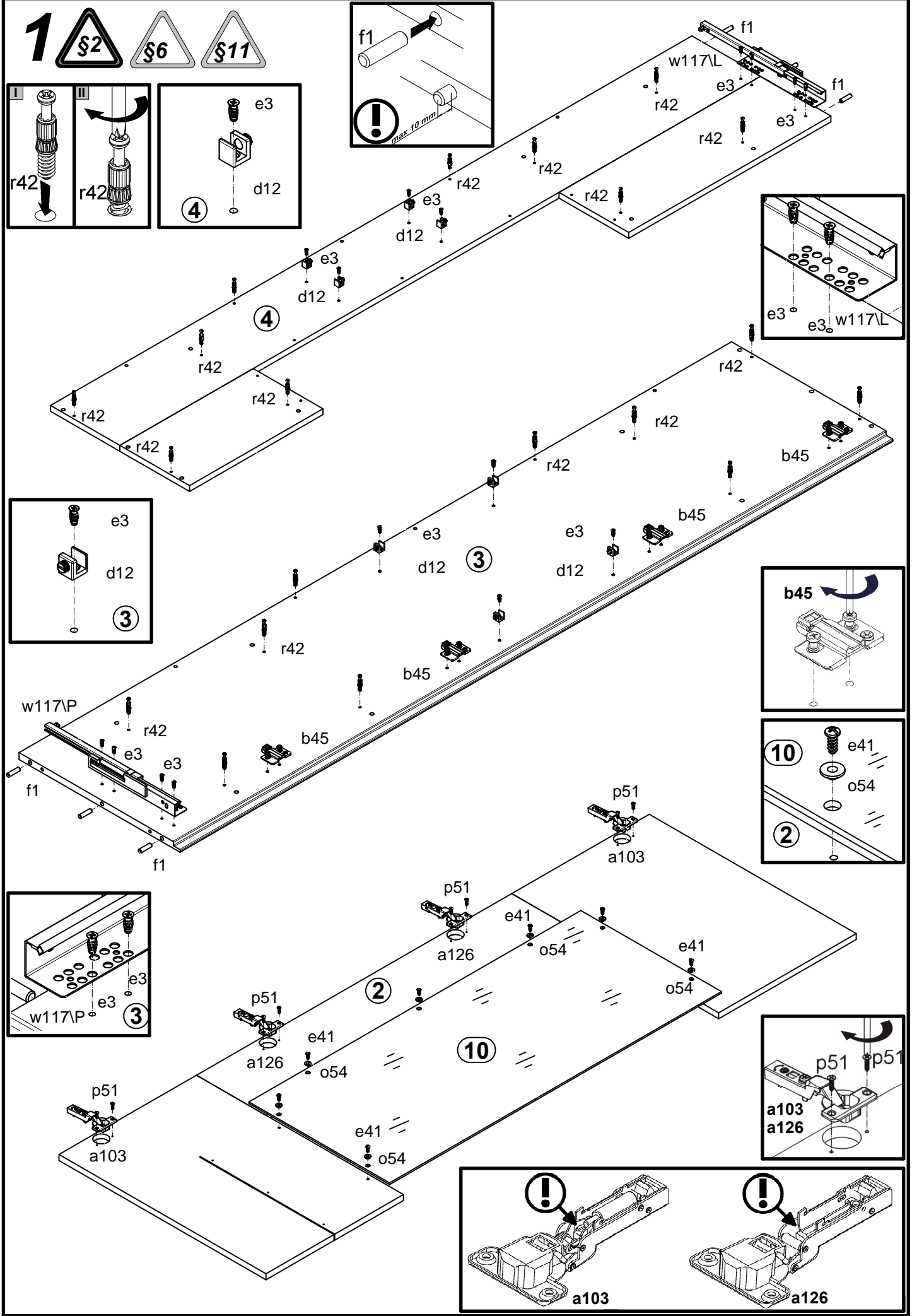
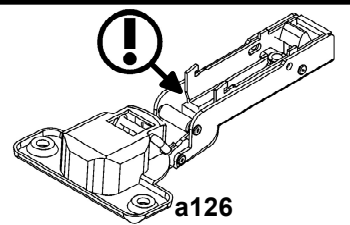
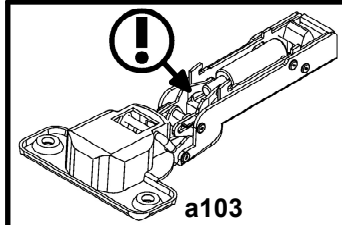
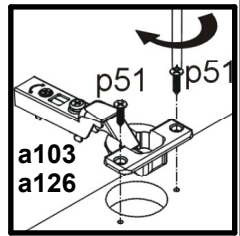
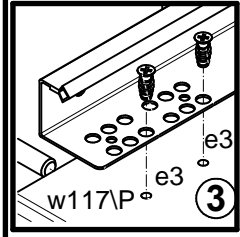
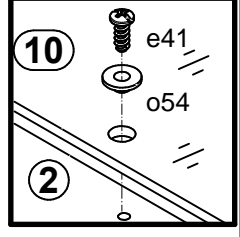
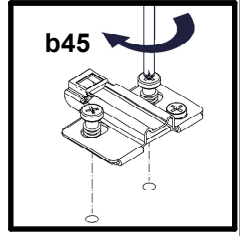
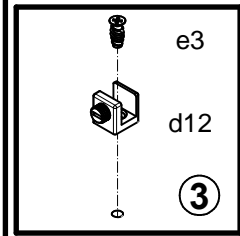
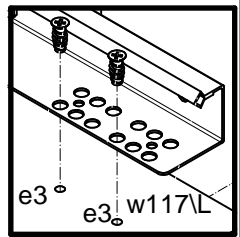
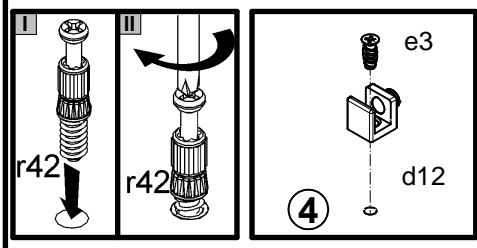
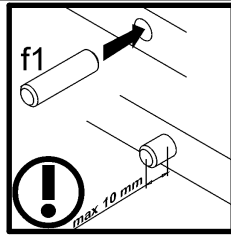
S312-REG1W1SP

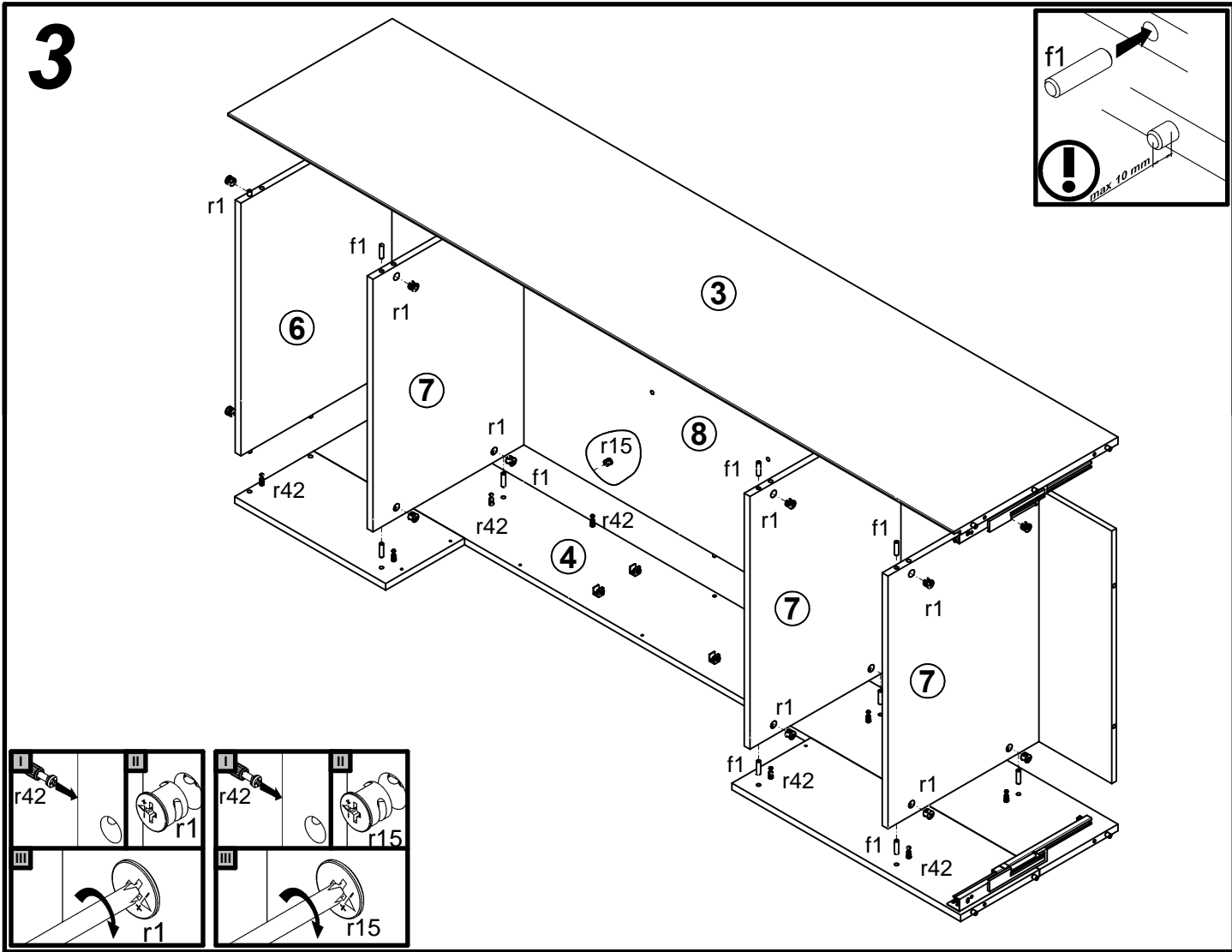
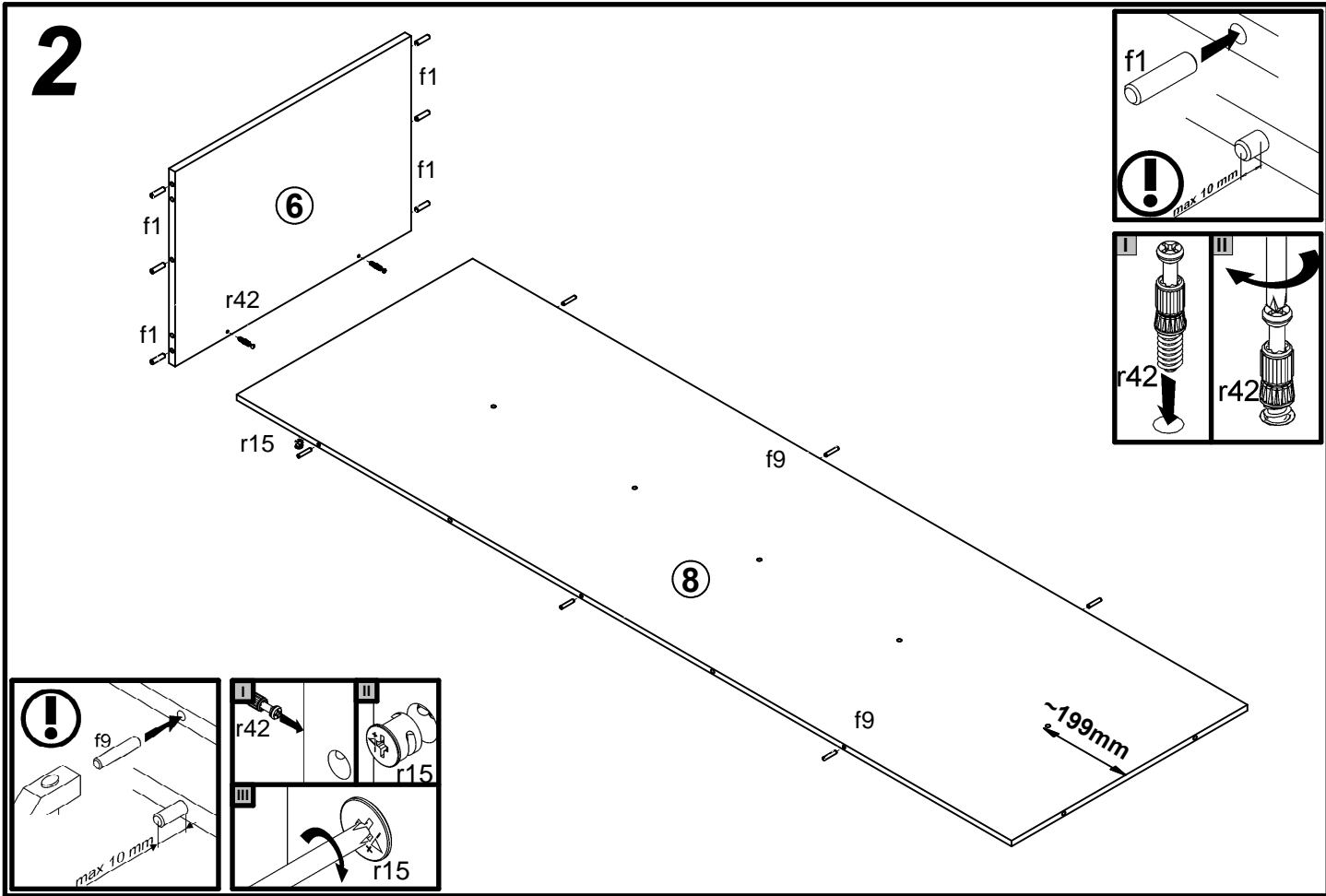
A	B	C	D
1	S312-004	596	196
2	S312-016	1700	596
3	S312-105	1904	431
4	S312-125	1904	413
5	S312-216	607	432
6	S312-303	575	412
7	S312-318	575	396
8	S312-405	1888	575
9	S312-501	956	226
10	S312-502	956	405
11	S312-504	566	387
12	S312-905	546	355
13	ZQ2-505	350	140
14	ZQ2-506	350	140
15	ZQ2-507	535	127

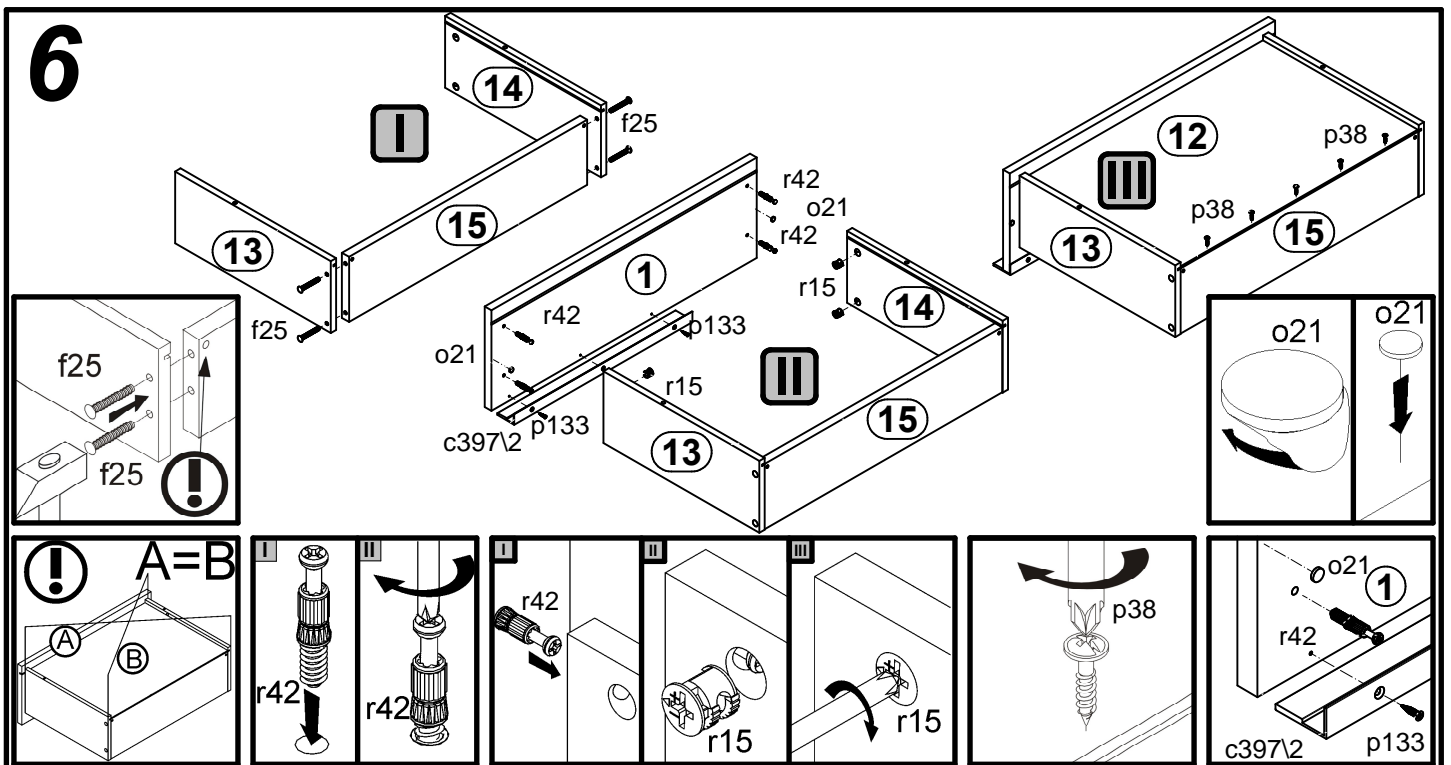
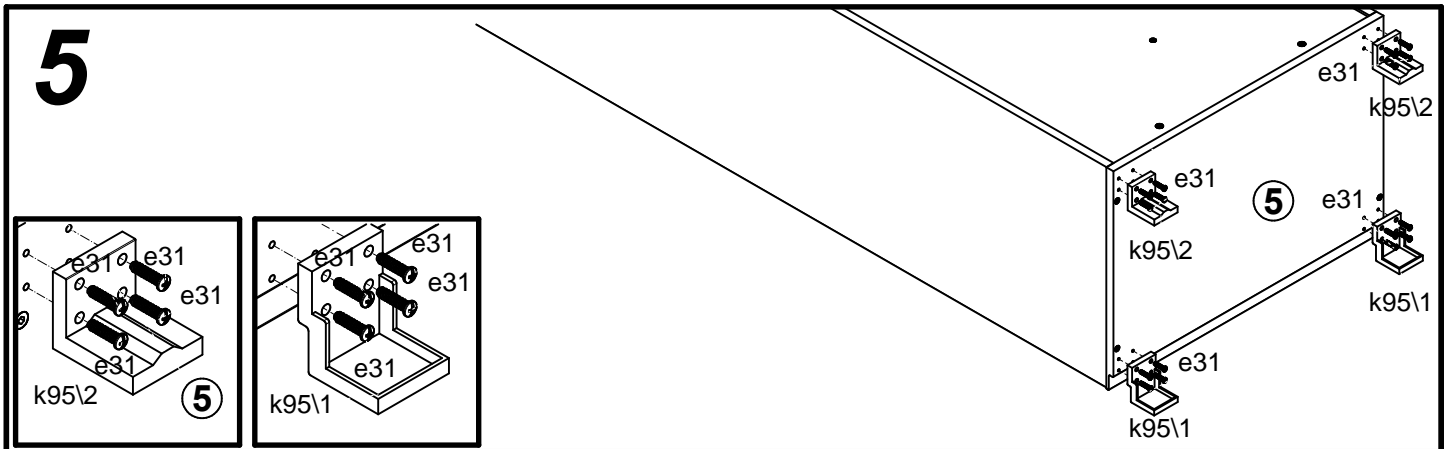
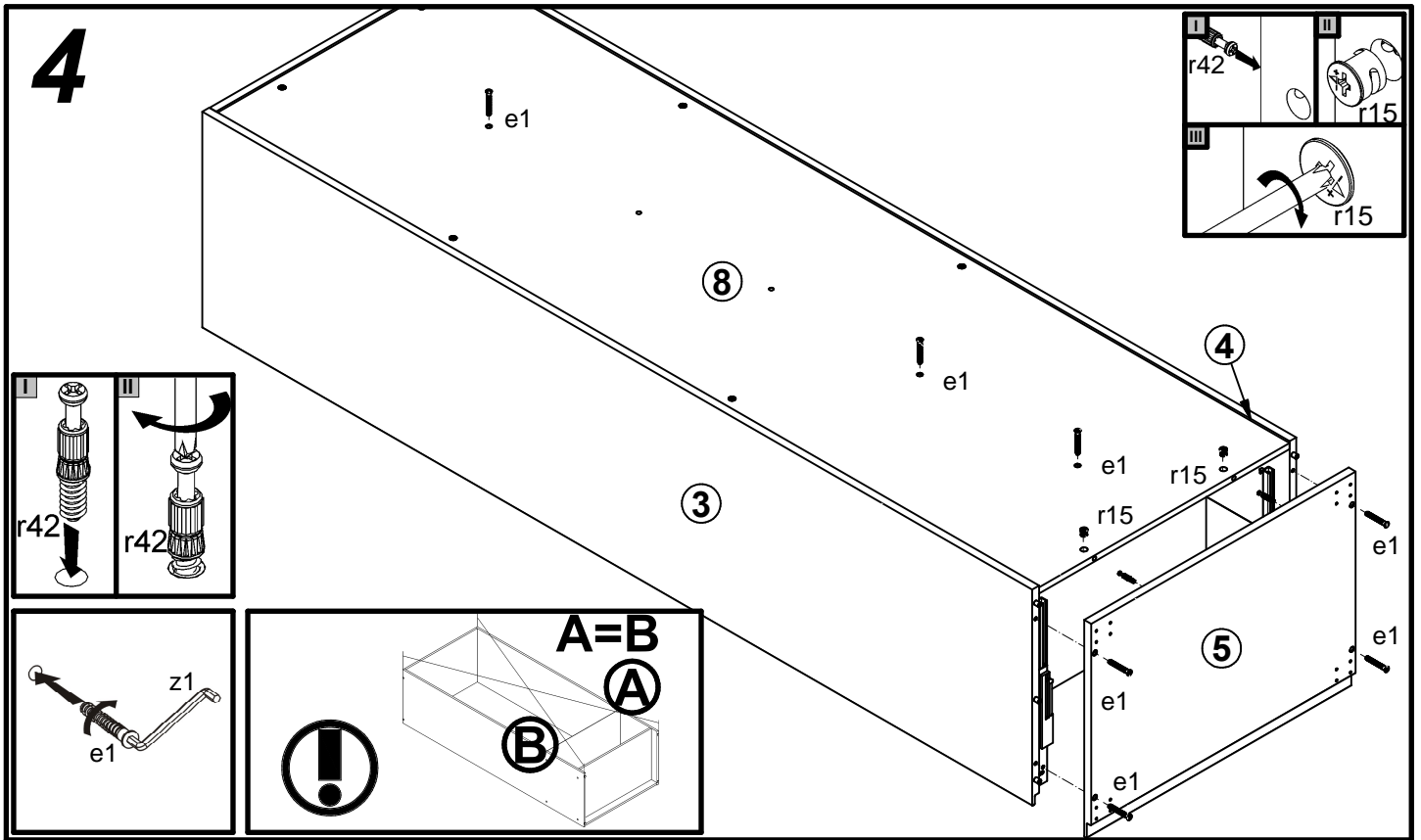


2x a103	2x a126	4x b45	1x 2x160mm c397/1L	1x 2x160mm c397/2	8x d12	7x Ø7x50 mm e1	16x Ø6x13 mm e3	16x Ø6x22 mm e31
7x Ø5x12 mm e41	24x Ø8x30 mm f1	6x Ø6x30 mm f9	4x Ø6.5x40 mm f25	2x Ø10x50 mm f35	2x k95/1	2x k95/2	2x 81x21x15/1.5 n14	4x silikon o21
1x o43/6	2x o43/8	7x Ø5.3/Ø8.3x4.8 mm o54	2x Ø5x60 mm p17	9x Ø3.5x16 mm p38	8x Ø3.5x15 mm p51	6x Ø3.5x14 mm p133	16x Ø15x12 mm #16 r1	
12x Ø12x10.5 mm #12 r15	28x r42	1x 350 mm W117/L	1x 350 mm W117/P	4x Ø16 s2	1x z1			

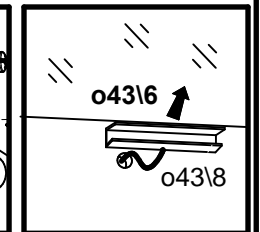
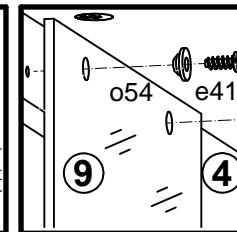
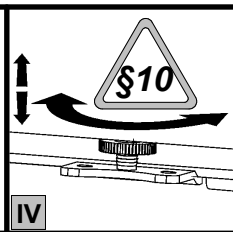
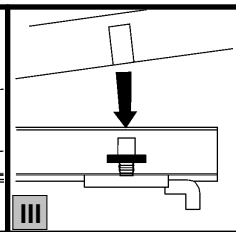
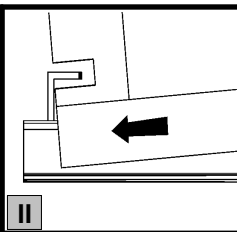
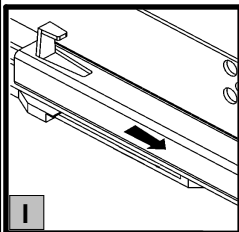
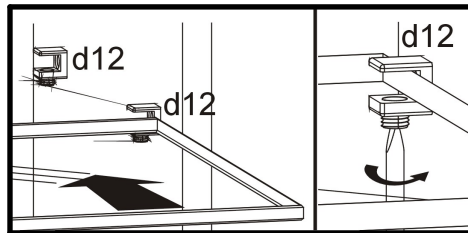
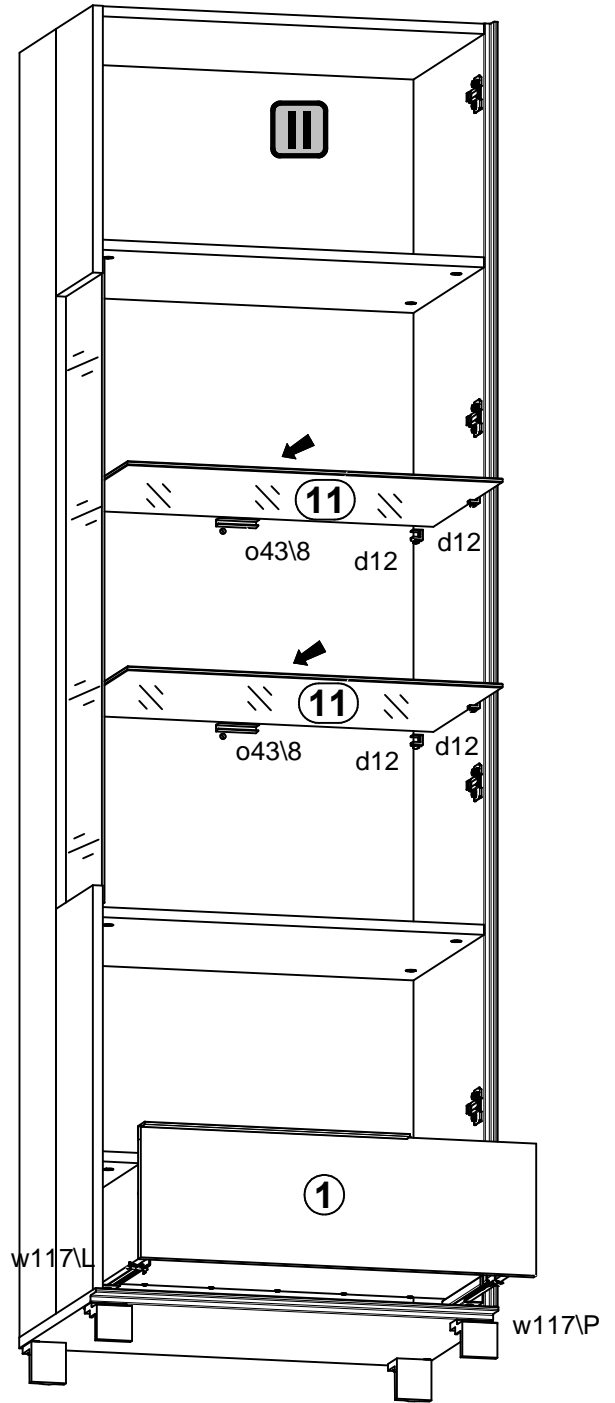
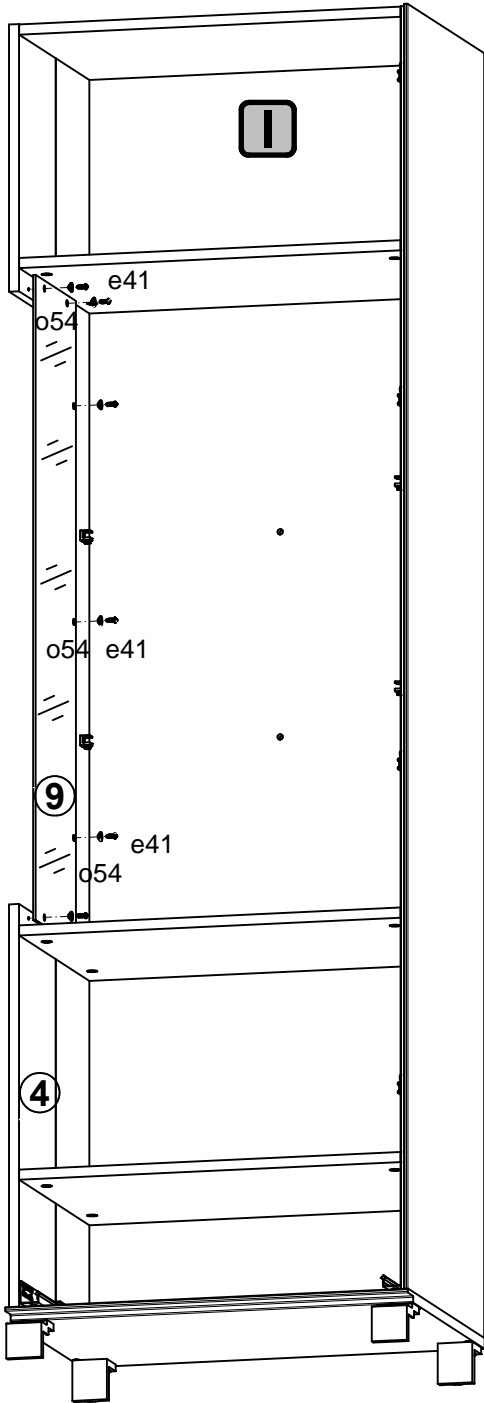
1 **§2** **§6** **§11**







7



8

