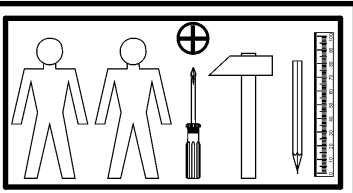
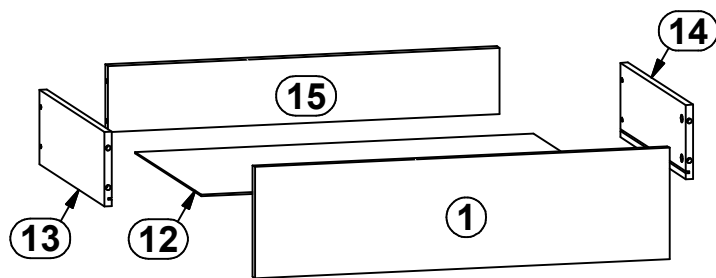
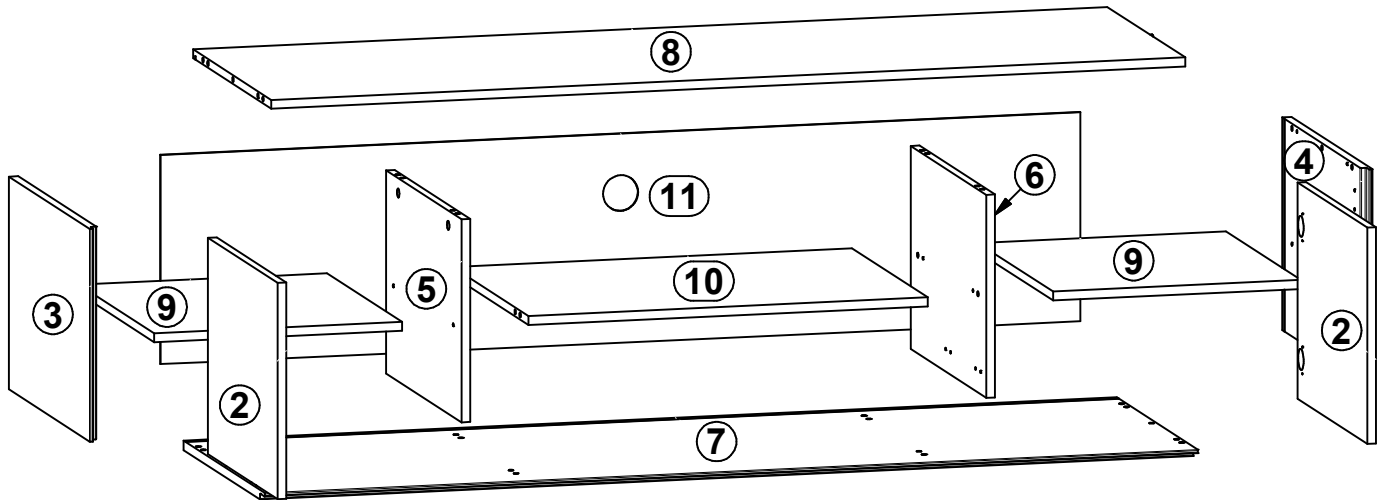
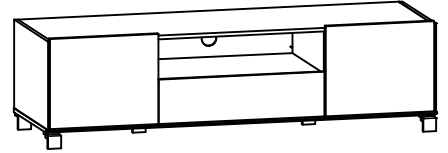
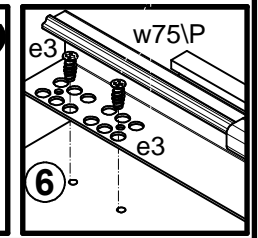
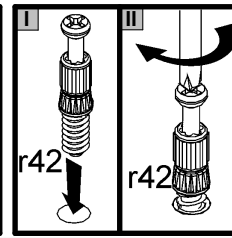
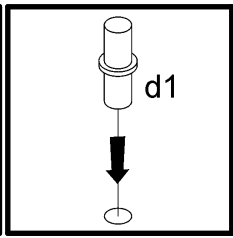
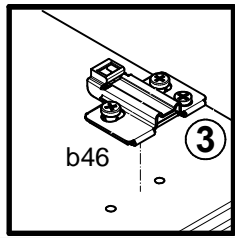
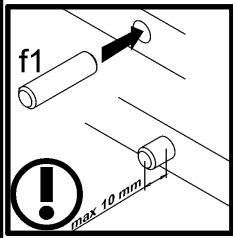
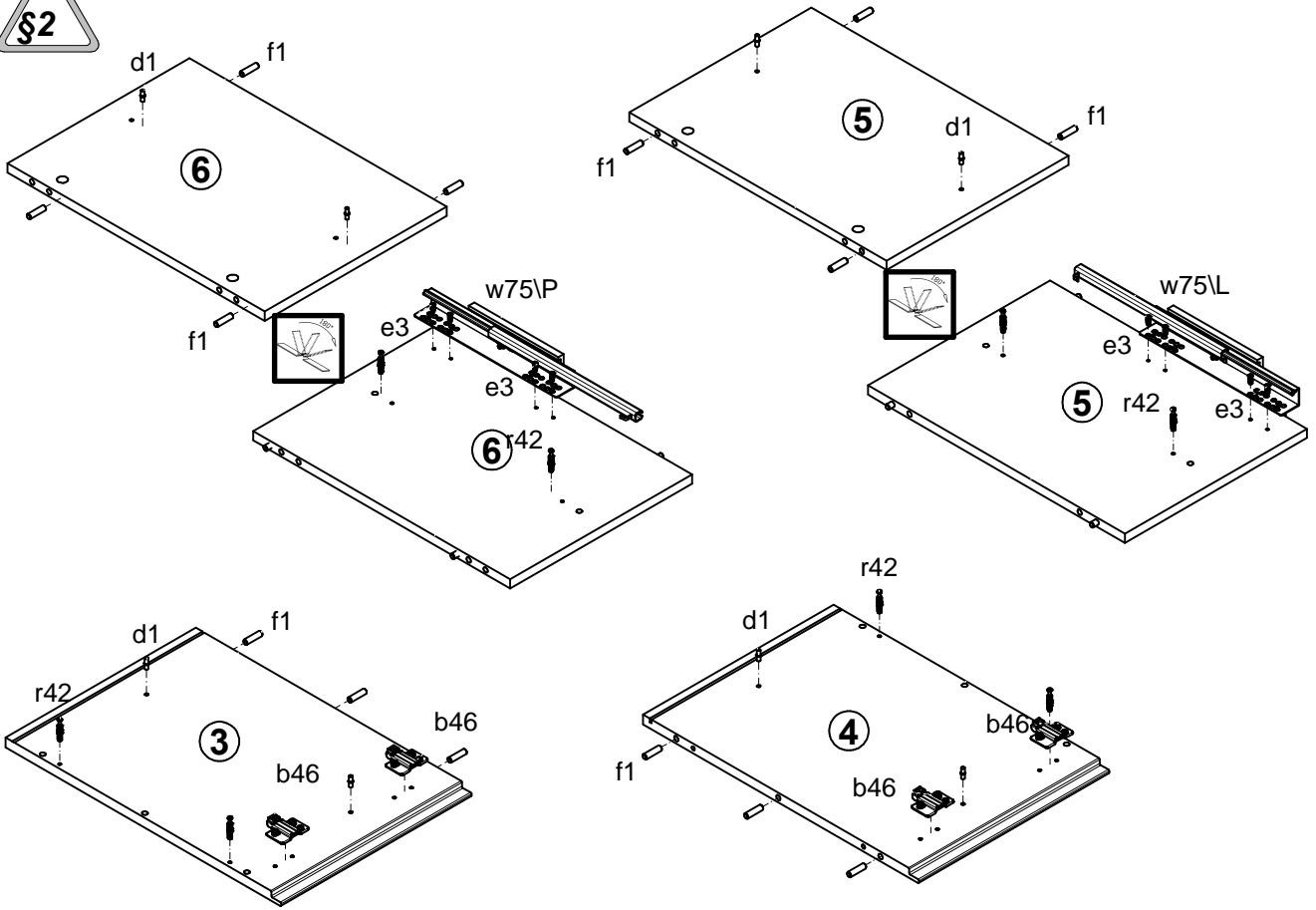


A	B	C	D	
1	S312-008	682	180	4/5
2	S312-009	364	446	5/5
3	S312-110	358	518	1/5
4	S312-111	358	518	1/5
5	S312-112	342	483	1/5
6	S312-113	342	483	1/5
7	S312-205	1599	519	2/5
8	S312-307	1566	499	2/5
9	S312-308	425	480	1/5
10	S312-310	684	483	1/5
11	S312-909	352	1576	2/5
12	S312-910	655	405	1/5
13	ZQ2-501	400	120	1/5
14	ZQ2-502	400	120	1/5
15	ZQ2-509	644	107	1/5

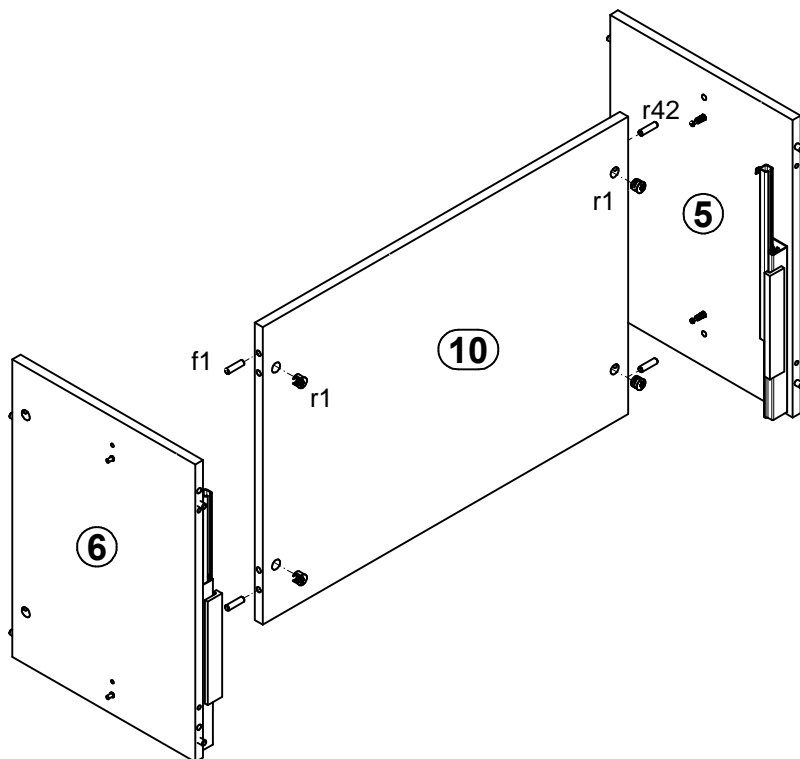
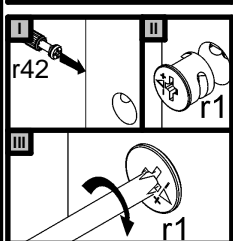
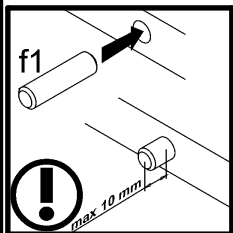


2x a103	2x a126	4x b45	8x Ø5x17 mm d1	8x Ø7x50 mm e1	8x Ø6x13 mm e3	24x Ø6x22 mm e31	24x Ø8x30 mm f1	4x Ø6.5x40 mm f25
2x k95.1	4x k95.2	15x l1	1x Ø3.5x16 mm p25	1x Ø3.5x10 mm p35	6x Ø3.5x16 mm p38	8x Ø3.5x15 mm p51	12x Ø15x12 mm #16 r1	14x i2
4x Ø12x10.5 mm #12 r15	16x r42	4x Ø16 s2	1x 400 mm t33	1x 400 mm w75\L	1x 400 mm w75\ P	1x z1	4x silikon o21	

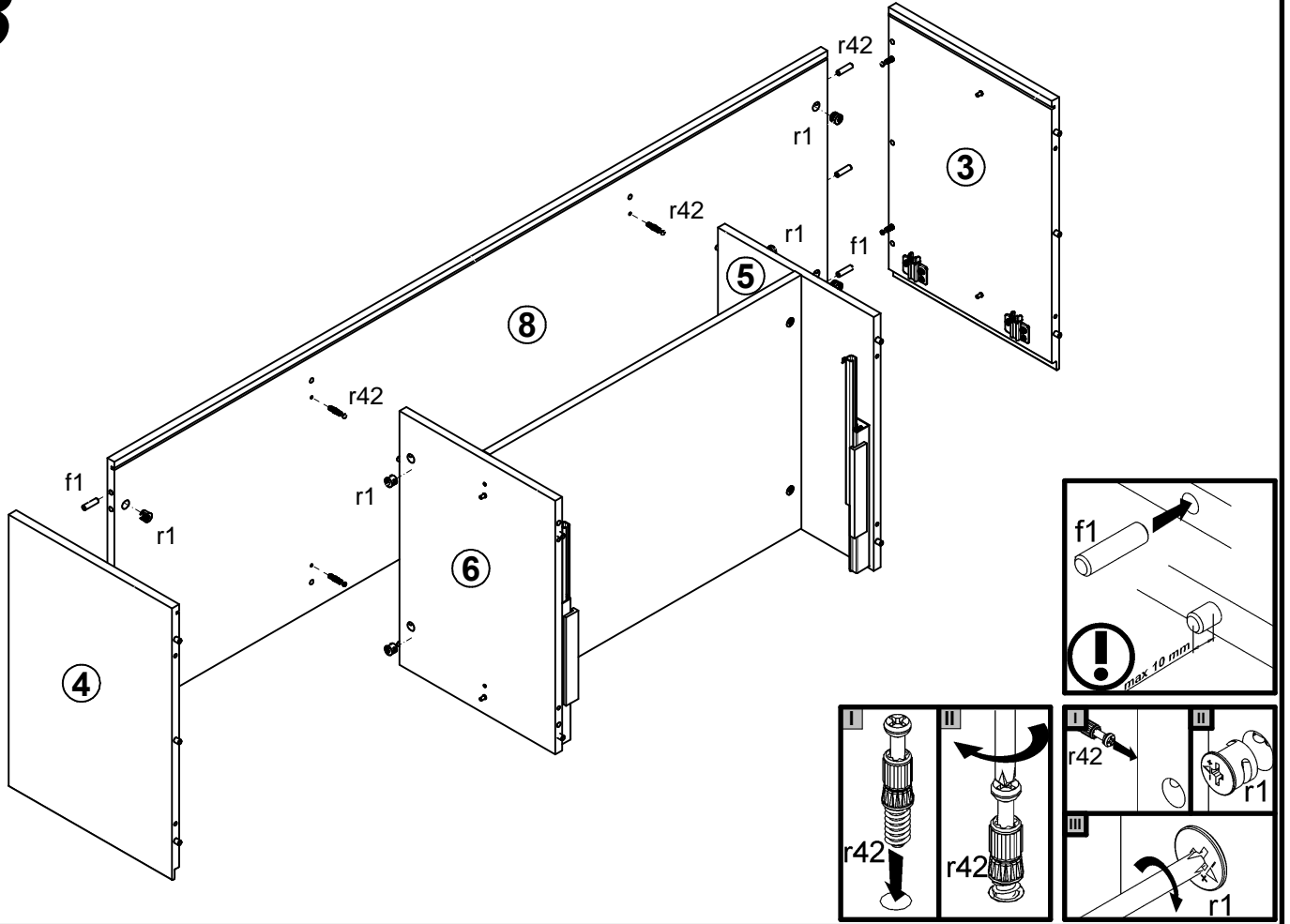
1



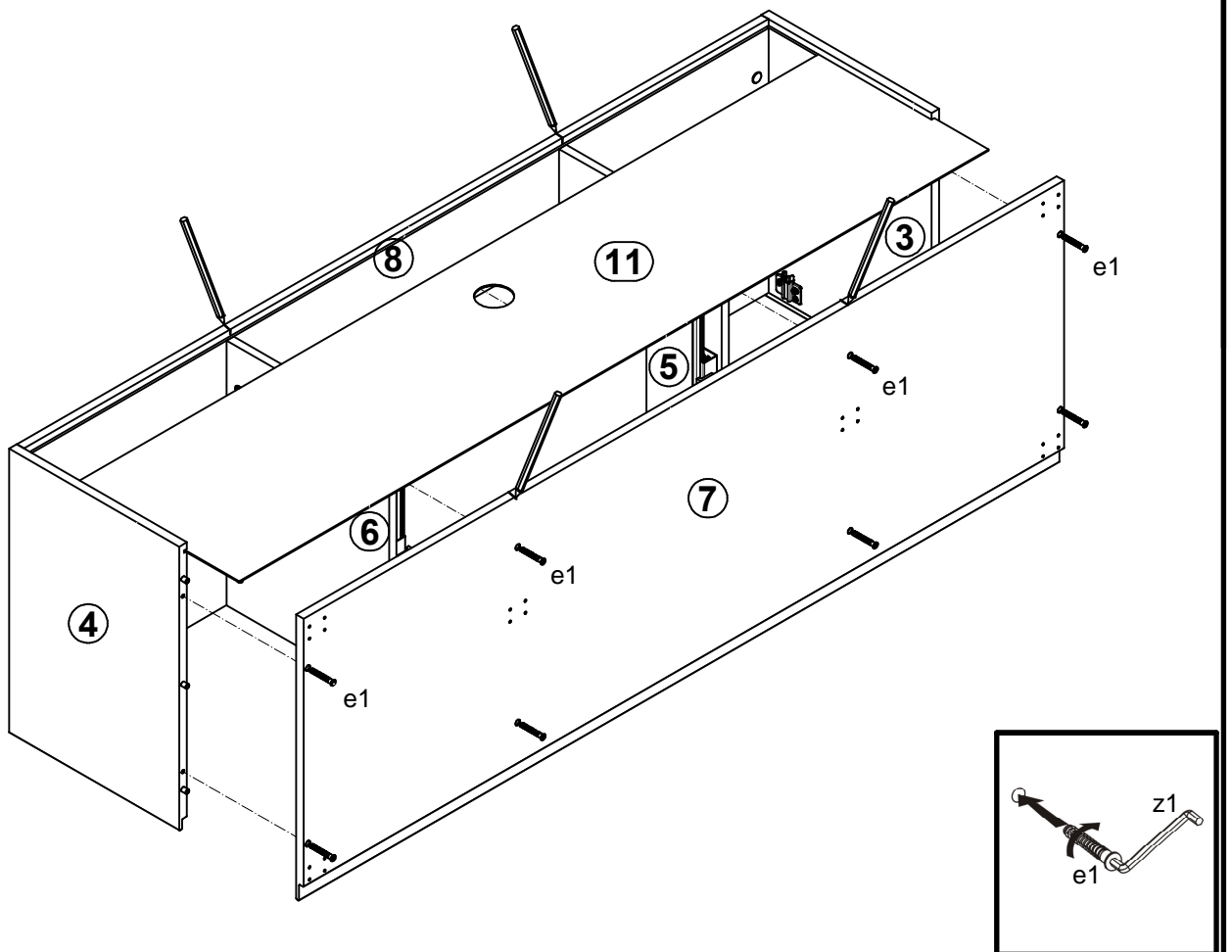
2



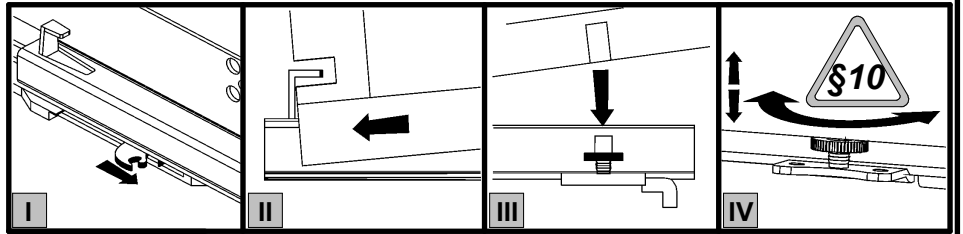
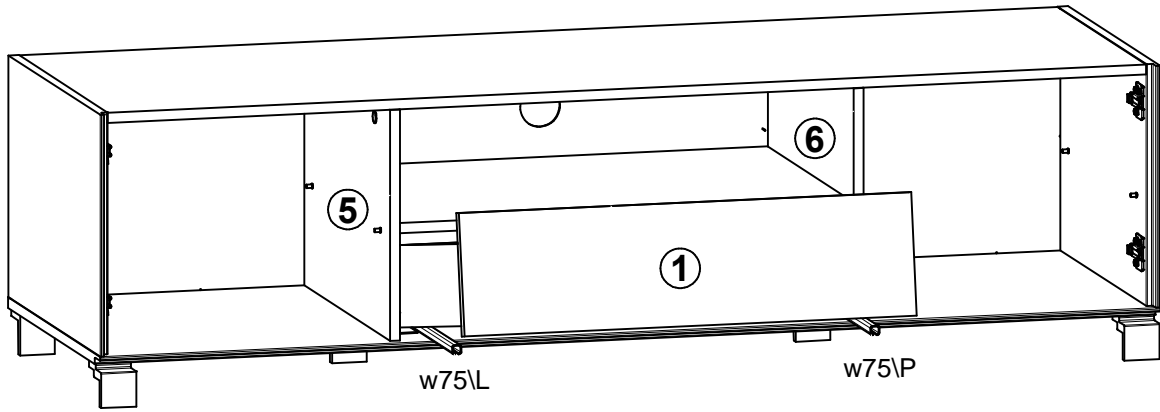
3



4



7



8

