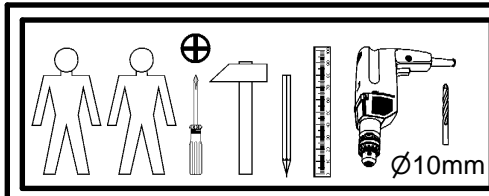
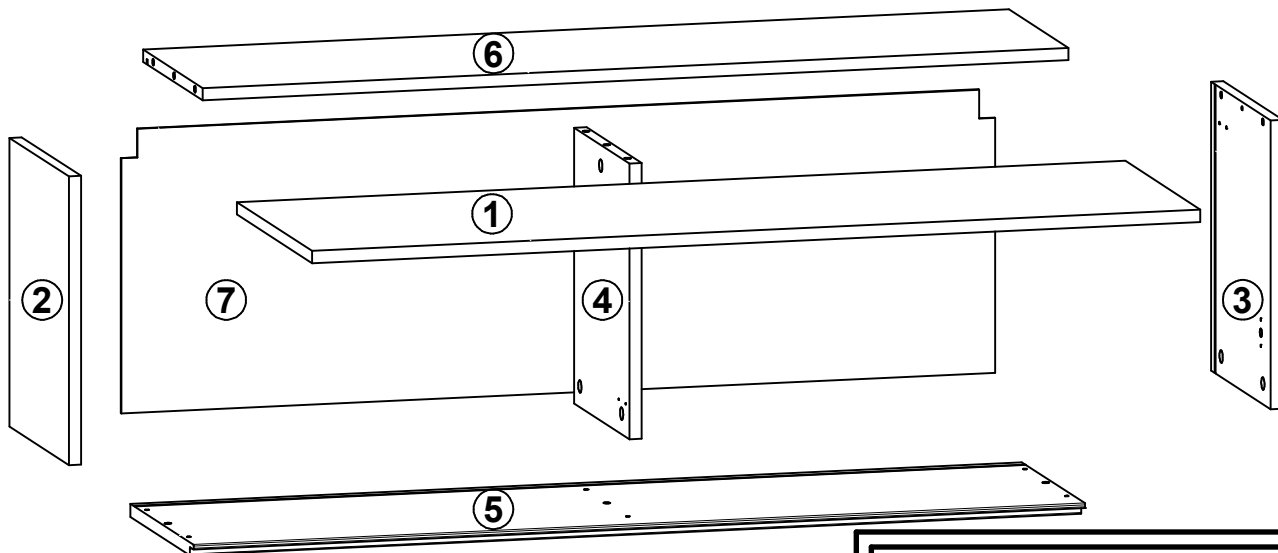


A

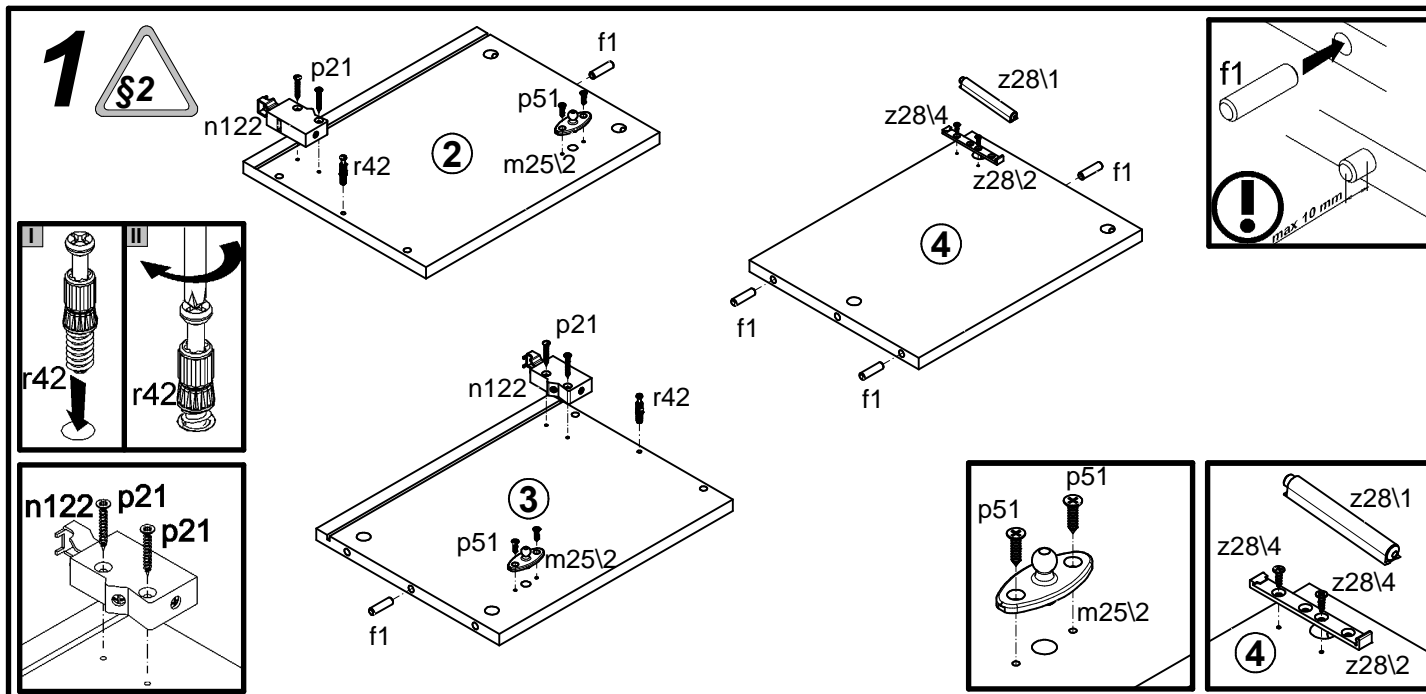
LEJLA

S312-SFW1K

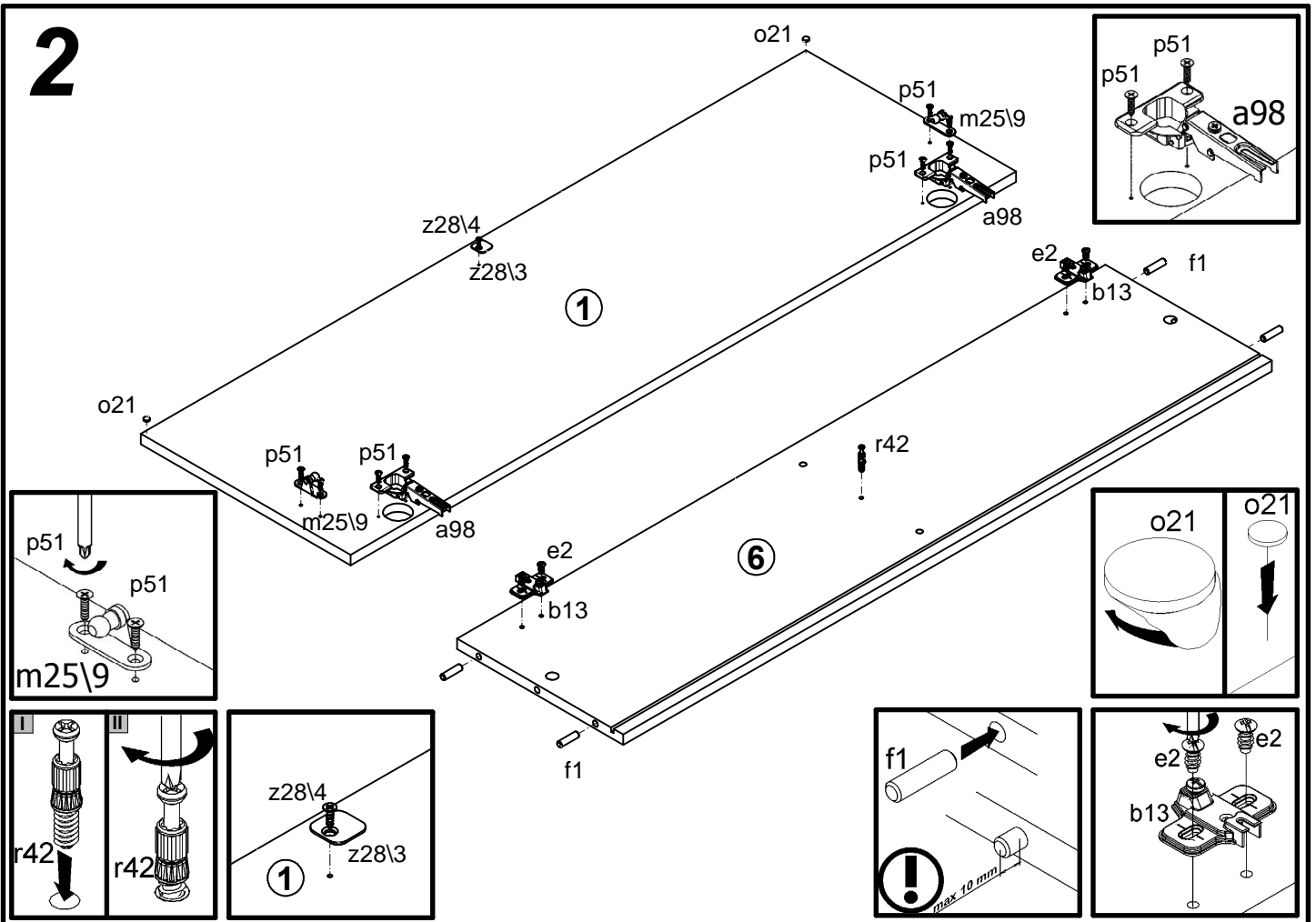
A	B	C	D
1	S312-021	1096	346
2	S312-129	350	274
3	S312-130	350	274
4	S312-131	334	254
5	S312-214	1100	292
6	S312-320	1068	274
7	S312-919	344	1078



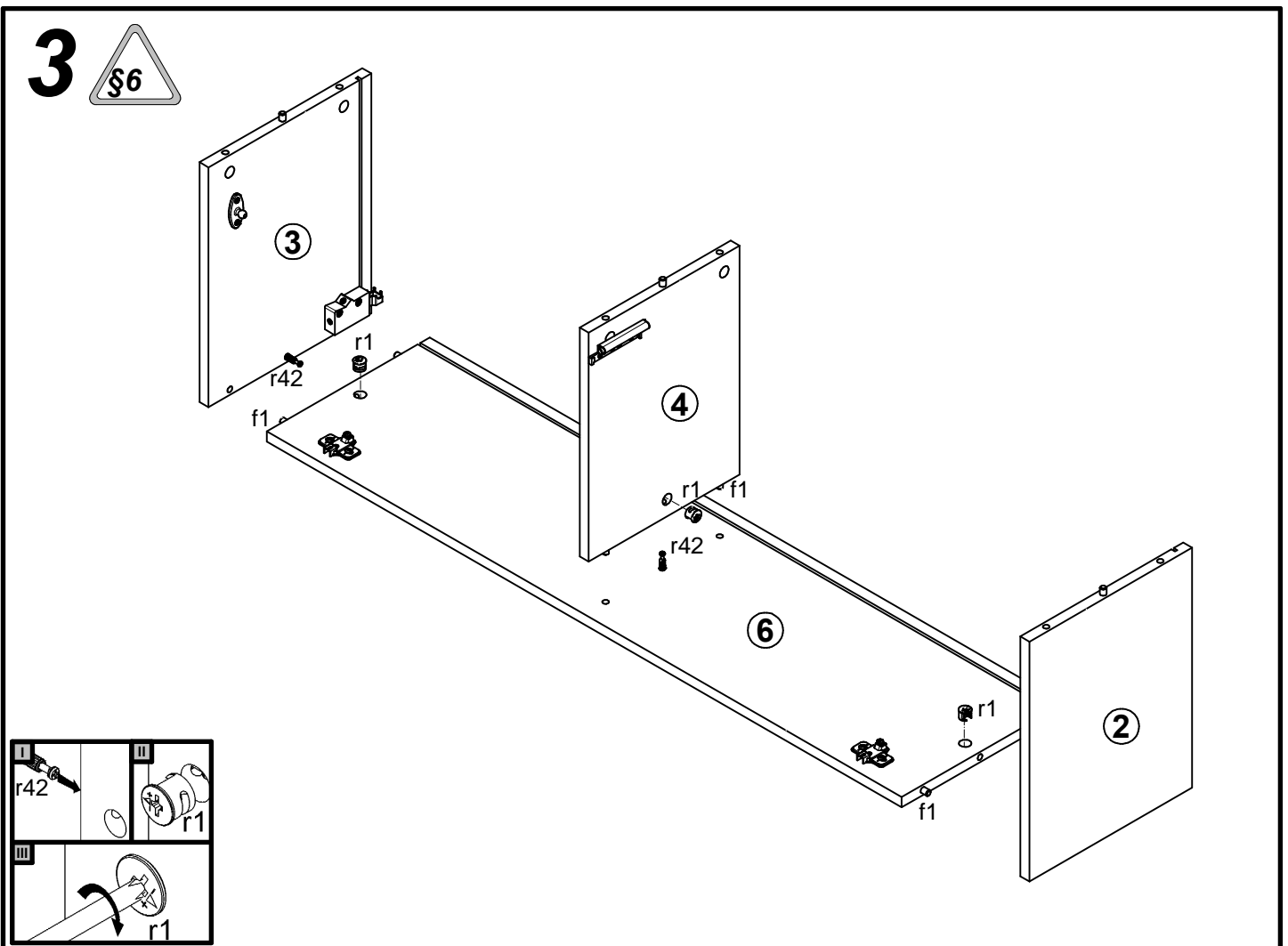
2x a98	2x b13	4x Ø6.3x13 mm e2	9x Ø8x30 mm f1	2x Ø10x50 mm f35	5x l1	12x i2	2x m25\2	2x 50 N m25\7	
2x m25\9	2x n122	2x Ø6x60 mm p127	2x silikon o21	4x Ø4x30 mm p21	12x Ø3.5x15 mm p51	9x Ø15x12 mm #16 r1	9x r42	1x z28\1	
1x z28\2	1x z28\3	3x Ø3x12mm z28\4	9x Ø16 s2						



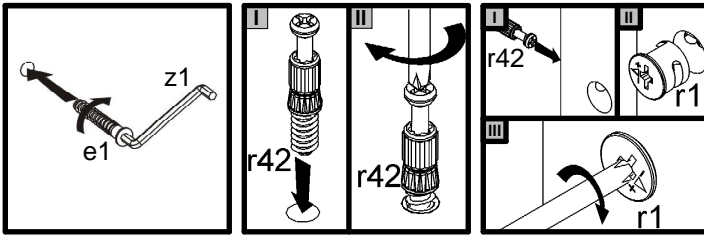
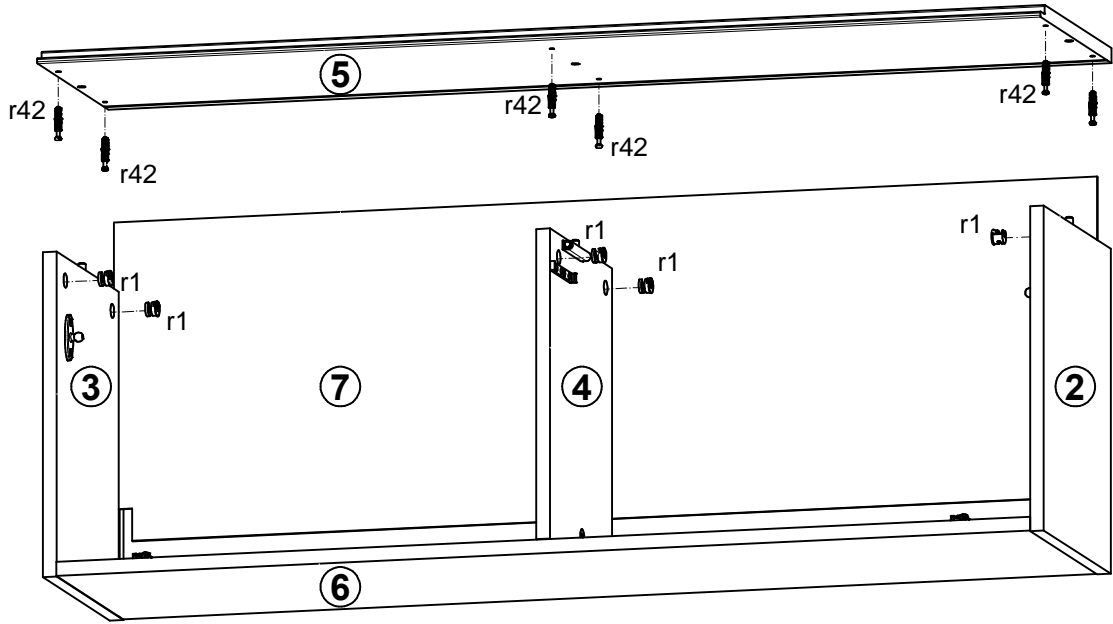
2



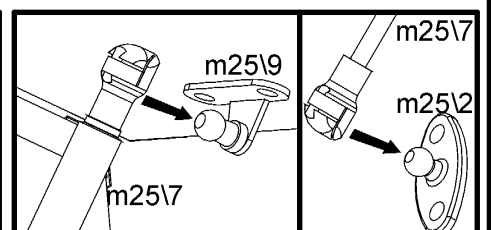
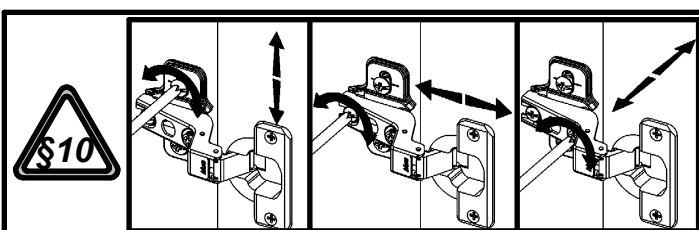
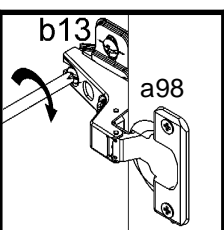
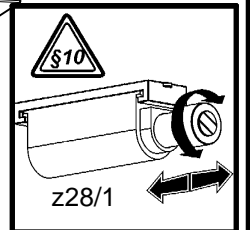
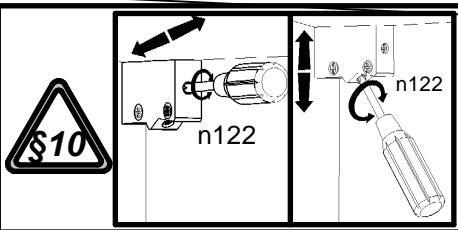
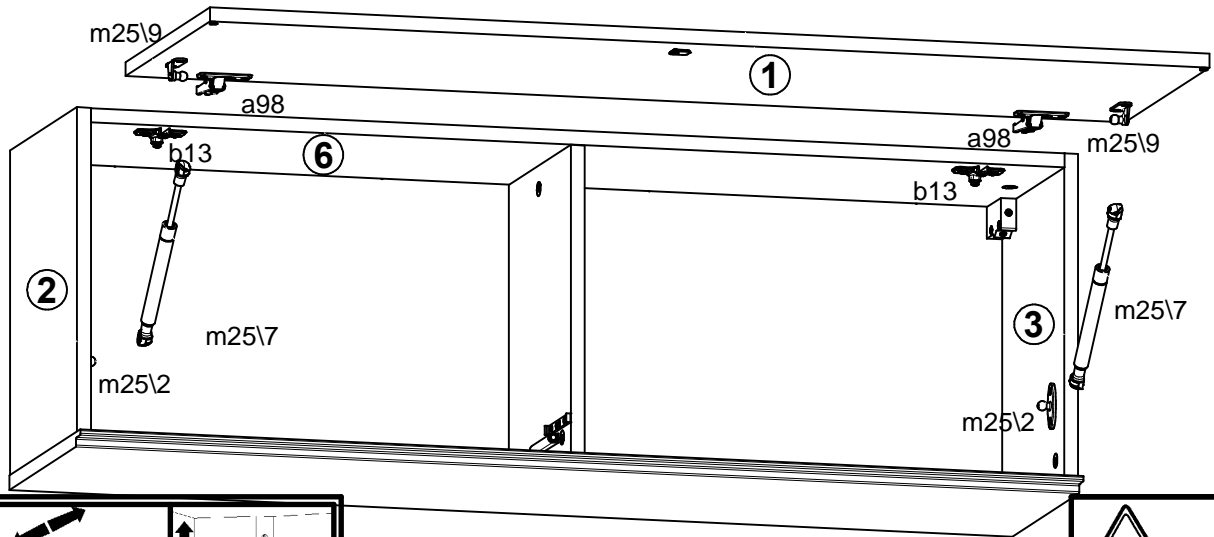
3



4



5



6

