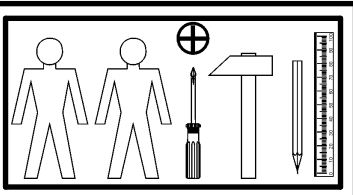
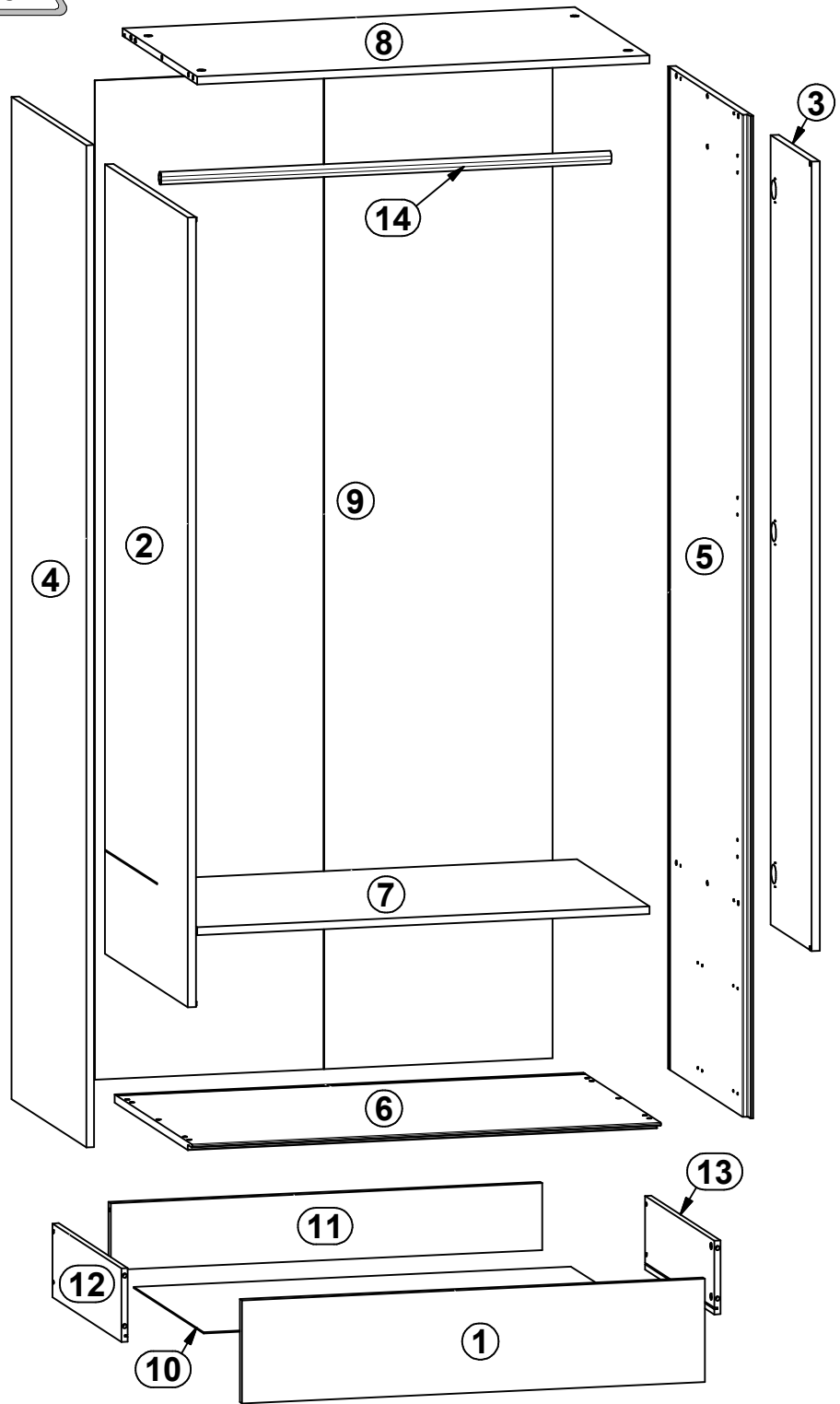
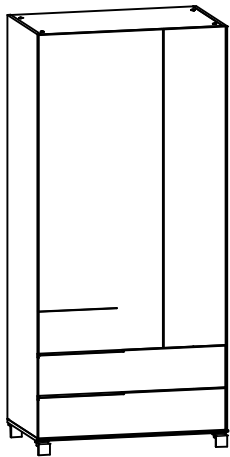


A

LEJLA

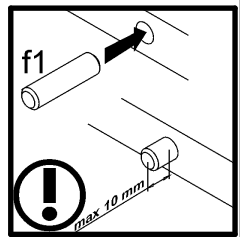
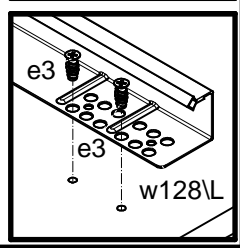
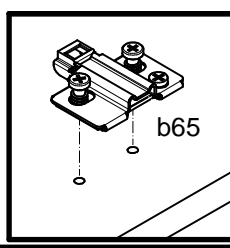
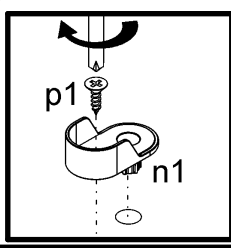
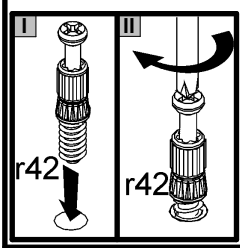
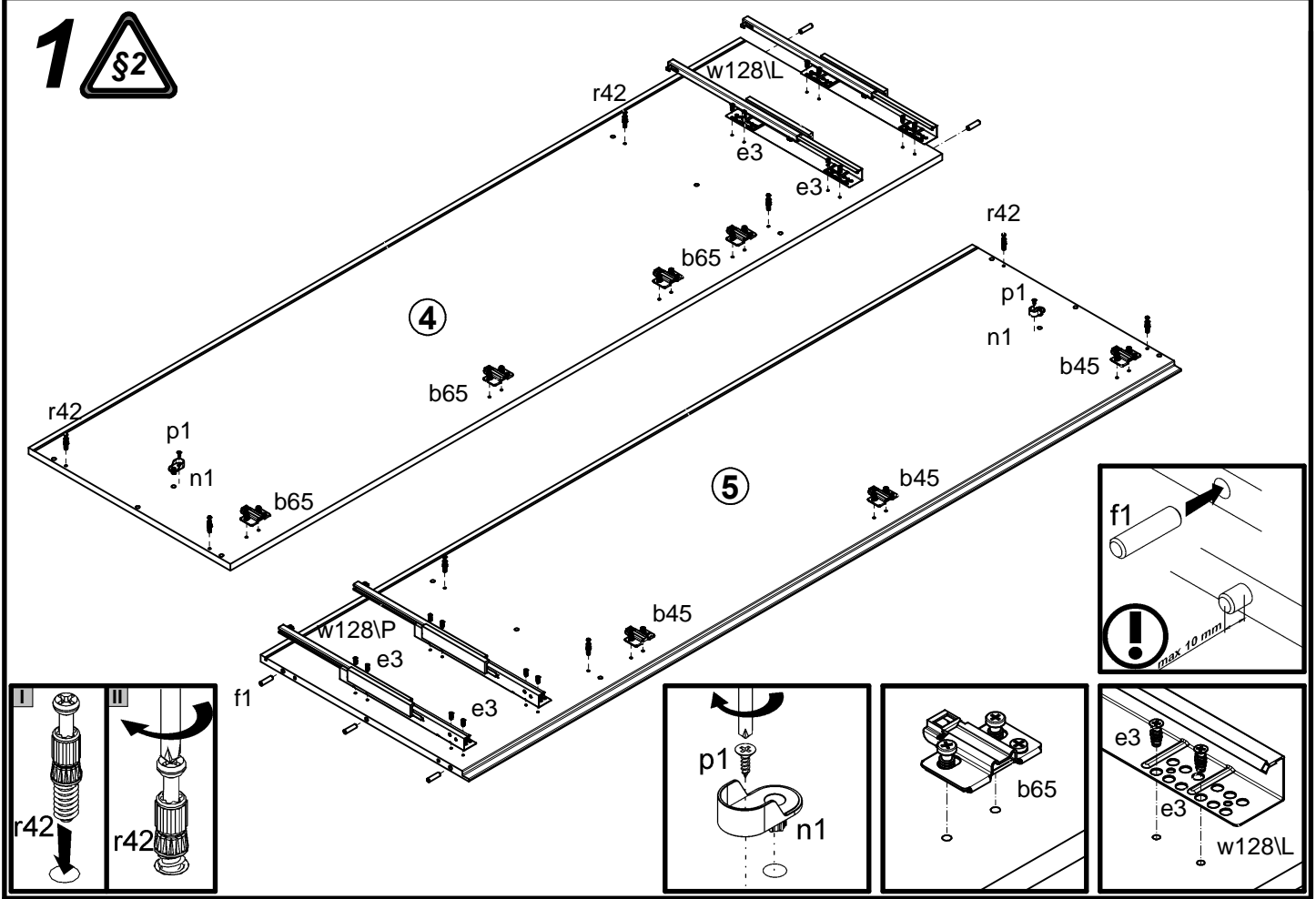
S312-SZF2D2S

A	B	C	D	
1	S312-001	896	196	4/5
2	S312-005	1500	596	5/5
3	S312-006	1500	296	5/5
4	S312-106	1904	540	1/5
5	S312-107	1904	558	1/5
6	S312-203	907	559	2/5
7	S312-305	875	523	2/5
8	S312-317	875	539	2/5
9	S312-906	1898	885	1/5
10	S312-907	846	505	2/5
11	ZQ2-508	835	127	2/5
12	ZQ2-503	500	140	2/5
13	ZQ2-504	500	140	2/5
14	dr-871	871	22	2/4

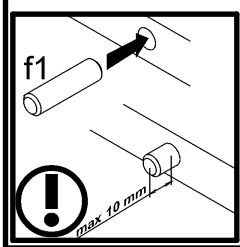
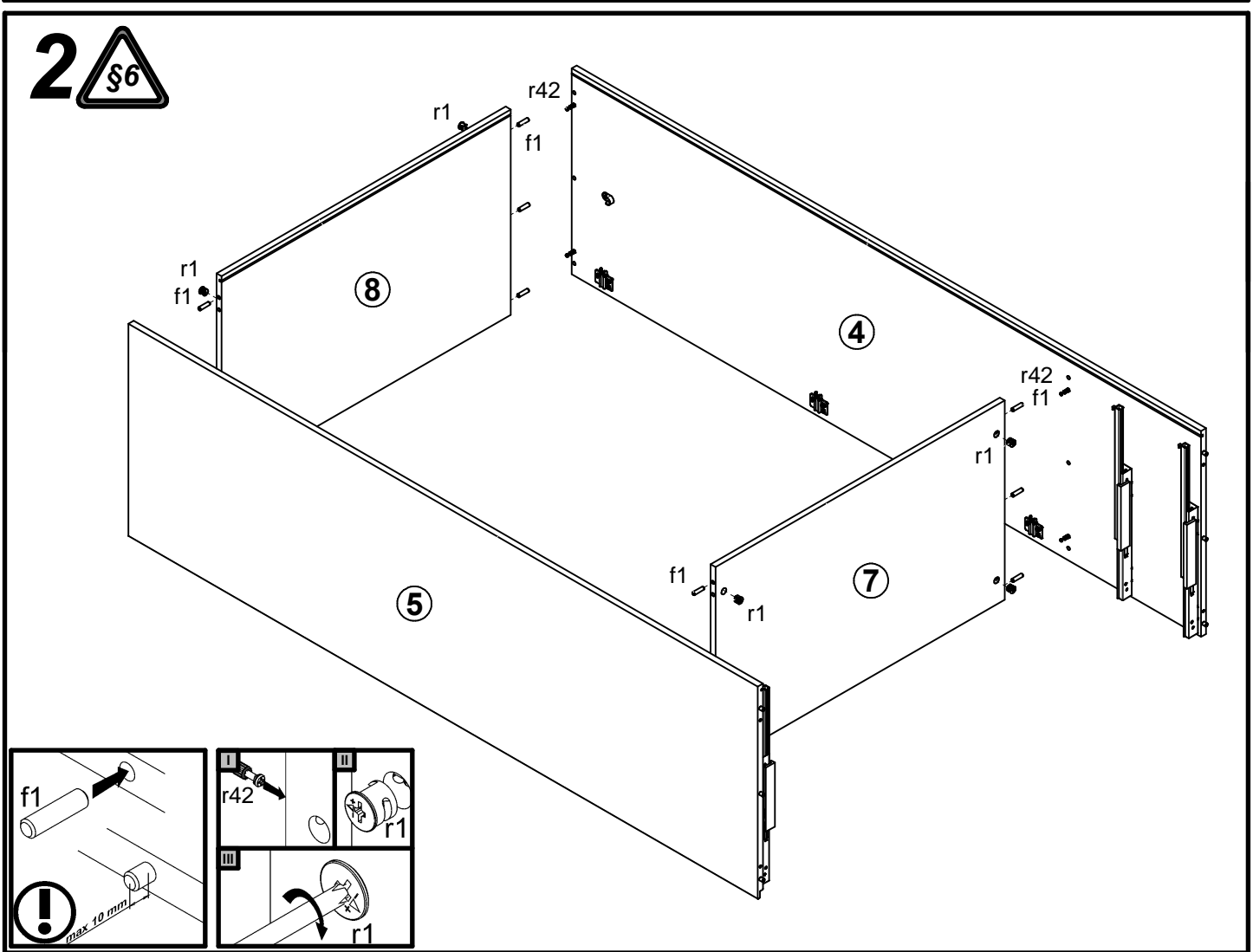


2x a103	1x a126	2x a128	2x a129	3x b45	4x b65	1x 2x160mm c397/1P	2x 320mm c397/2	4x Ø7x50 mm e1
16x Ø6x22 mm e31	18x Ø8x30 mm f1	8x Ø6.5x40 mm f25	2x k95/1	2x k95/2	10x l1	24x l2	2x n1	16x Ø6x13 mm e3
4x silikon o21	2x Ø3.5x13 mm p1	2x Ø3.5x16 mm p25	2x Ø3.5x10 mm p35	16x Ø3.5x16 mm p38	14x Ø3.5x15 mm p51	9x Ø3.5x16 mm p61	1x Ø3.5x16 mm p38	8x Ø15x12 mm #16 r1
8x Ø12x10.5 mm #12 r15	16x r42	2x 500 mm t34	2x 500 mm w128/L	2x 500 mm w128/P	1x n26/1	1x n26/1		

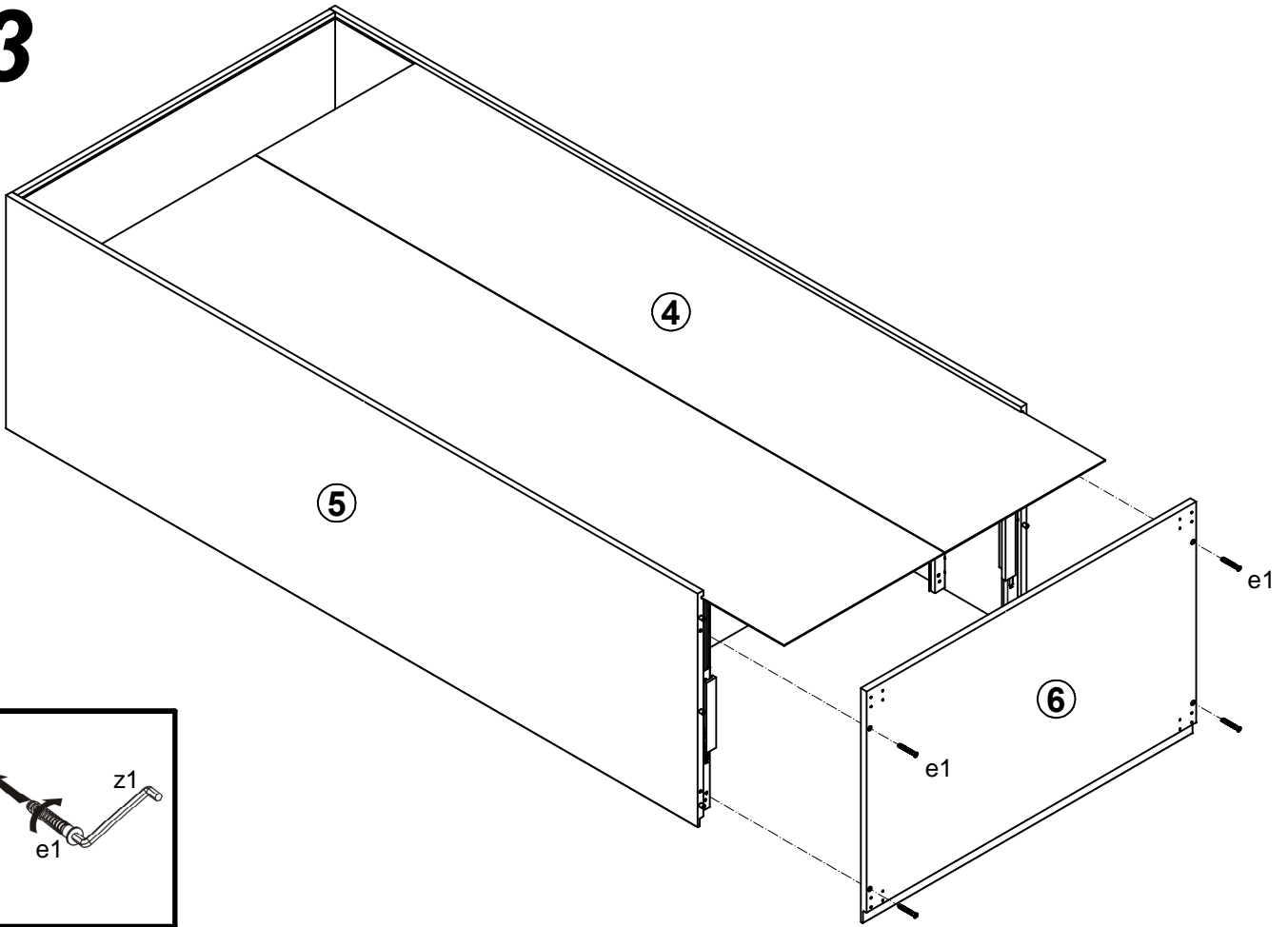
1



2



3



4

